

Volvo Construction Equipment
Building Tomorrow



WHEEL LOADERS IN ROCK HANDLING

L260H, L350H



A large wind turbine stands in a field of rolling hills at sunset. The sky is a warm orange and yellow, and the ground is dark brown. The turbine's blades are visible, and its shadow is cast on the ground. The overall scene is peaceful and evokes a sense of clean energy and sustainability.

WELCOME TO OUR WORLD

Welcome to a world of industry leading machinery. A world where imagination, hard work and technological innovation will lead the way towards developing a future which is cleaner, smarter, and more connected. A world supported by the enduring values of the Volvo Group. A world of stability, sustainability and innovation. A world which we put our customers at the heart of.

Welcome to the world of Volvo Construction Equipment – we think you're going to like it here.

Working harder, working smarter

For over 180 years Volvo has been a pioneer in the design and manufacture of machines which set the standard for efficiency, performance and uptime. Across our range of excavators, wheel loaders and haulers, our reputation for engineering excellence is unrivalled, which means whatever your operation or application, we can provide a total fleet solution to help you succeed.

Building on our proud history, the Volvo Concept Lab continues to create cutting-edge ideas and innovative concepts, to ensure we offer customers machines which work harder and smarter long into the future.



Solutions for you

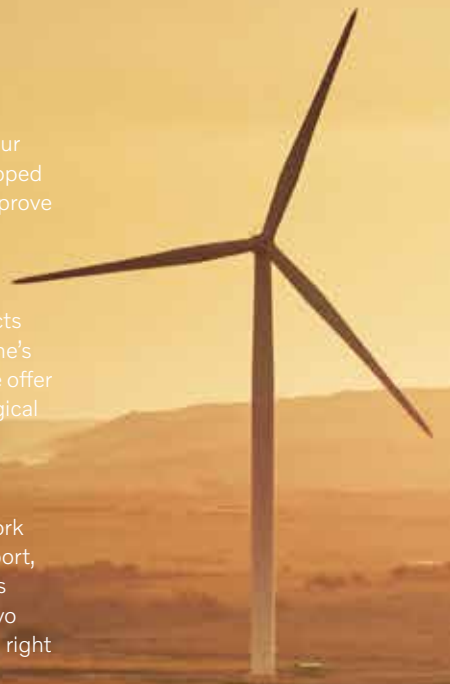
Our industry leading machines are just the start of your relationship with Volvo. As your partner, we have developed an extensive range of additional solutions to help you improve uptime, boost productivity and reduce costs.

Designed for your business

Structured across nine blocks, our portfolio of products and services are designed to complement your machine's performance and boost your profitability. Simply put, we offer some of the best guarantees, warranties and technological solutions in the industry today.

There when you need us

Whether you're buying new or used, our global network of dealers and technicians offer around-the-clock support, including machine monitoring and world-class parts availability. It's the basis of everything offered by Volvo Services, so you can be confident we've got you covered right from the start.



BUILDING TOMORROW



The perfect package

Built for the job

Specialized tasks require specialized equipment, which is why Volvo offers wheel loaders configured to meet the unique requirements of a wide range of applications. Our application specific wheel loaders are designed and built to ensure you achieve superior results according to the unique demands of the segment you are working in.

The right machine options, tires and attachments all combine to ensure our specially adapted wheel loaders deliver maximum safety and performance. As with all Volvo products you can trust in the full support and back-up of your Volvo dealer, and aftermarket Volvo solutions, for the lifetime of your machine.



Ready to rock

Introducing Volvo rock loaders

Volvo rock loaders have been built to take on the demands of rock handling applications, designed to achieve optimum results in the vast, dusty and often hot environments these machines need to work in. Meeting the strictest safety standards, Volvo rock loaders provide the stability, strength, traction and tire durability needed for maximum productivity and efficiency when loading from the pile.

As with all Volvo machines, the L260H and L350H rock loaders boast the highest levels of operator comfort, uptime and unrivalled fuel efficiency.

Rock solid

From start to finish, a Volvo rock loader is expertly engineered to be the perfect partner when working in demanding quarry environments. From the linkage and cab, to the tires and buckets, this is a machine built to deliver outstanding productivity, load after load.

Built for productivity

Every design detail of a Volvo rock loader is geared towards delivering maximum productivity, helping you fill the bucket as quickly and efficiently as possible. Optimized weight distribution provides unrivalled machine stability, combined with the ultra-strong Z-bar linkage for the highest levels of breakout force. When entering the pile, rimpull control provides superb traction, minimizing wheel spin and reducing tire wear.



The perfect fit

Volvo attachments ensure you achieve the superior levels of productivity, fuel efficiency and uptime your Volvo machine is capable of. Our range of rock buckets are the perfect match for your Volvo rock loader, boasting a high fill factor for fast cycle times and maximum productivity. The already durable buckets can be fitted with a range of wear parts to further boost life span.



Keep on rolling

Choose between L4 or L5 tires, both offering optimum resistance to heat and cuts. When travelling long distances, the lighter L4 tire offers improved machine balance and less machine weight for lower fuel consumption and faster cycle times. The optional long boom keeps your tires safely away from the rock face, minimizing exposure to cutting rocks and reducing tire wear. Contact your dealer to find out more about tire chains.



The operator's choice

Step inside the most comfortable cab in the industry, featuring all-round visibility, intuitive controls, low noise levels and the exclusive Volvo cab-filtration system which circulates 90% of cab air through the main filter. The Boom Suspension System absorbs shocks and reduces machine bounce, while Comfort Drive Control lets the operator steer the machine from a single lever.

Load Assist apps

Optimize your load cycles with Load Assist, powered by Volvo Co-Pilot – the revolutionary in-cab display. Gain access to a set of smart apps, including On-Board Weighing, Operator Coaching, Map and Tire Pressure Monitoring System, and boost the efficiency of your operation.

Durable by design

In an environment where machine availability is key, Volvo rock loaders are designed to keep working harder, for longer. Well protected components, including double sealing pins, keep machine uptime at a high, along with maintenance-free components and easy servicing. The new and improved Volvo Tooth System increases teeth lifetime by 20% and the new locking system enables teeth changes with no special tool required.



Ultimate rock handling performance

Load Assist apps, powered by Volvo Co-Pilot (Option)

Auto lubrication system

Long boom (Option)

Z-bar lifting arm with double sealing on each pin

Matched rock buckets, complete with durable wear parts and Volvo Tooth System



Optimized weight distribution for unrivaled stability

Boom Suspension System

Specialized tires

**Exclusive Volvo
cab-filtration system**

**Comfort Drive Control,
lever steering**

**Rearview camera and
Radar Detect System
(Options)**

Reversible cooling fan

**Guarding on lighting
(Options)**

**Powerful Volvo engine
with rimpull control**

**Differential lock: 100% front,
optional limited slip rear (L260H)**

**OptiShift, with lock-up converter
and Reverse By Braking (L260H),
Lock-up converter (L350H)**



Tailor-made buckets

Our extensive attachment range is purpose built to work in harmony with your Volvo, helping to achieve maximum productivity and efficiency. Our range of rock buckets are optimized for primary loading of shot rock or easily broken material from the bank, and complemented by a range of heavy-duty wear parts and teeth.

More information can be found in the Attachments brochure, or in the Attachments selector tool, available for IOS on App store, for Android on Play Store and China Android Store.

Spade nose rock bucket

Optimized for loading blasted rock or easily broken material.



Straight edge rock bucket

Featuring a higher break-out force and increased dump clearance compared to the spade nose variant.



Side dump rock bucket

Designed for sideways dumping in tight locations, such as tunnels.



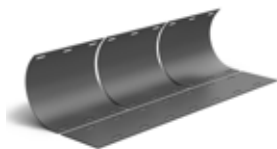
Customer-Built Attachments

When your operation requires a unique attachment design, then a custom-built attachment could be the answer. Receive support and tailored advice from your Volvo dealer and our in-house attachments specialist to help you define the right attachment specification for you.

Wear parts

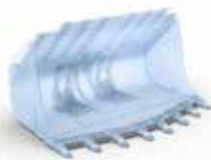
Extend service intervals by up to five times thanks to extra protection added to the bucket.

Inside liners



8mm thick plate protecting bucket body

Bolt-on edges



Protecting bucket edge

Corner shrouds



Protect the bottom/side plate edge

Side shrouds



Protect the side cutter

Chocky bars



Additional protection on the top of the side cutter

Kickers



Protect the tires by pushing rock to the side



Volvo Tooth System

Make no compromise on quality and choose the Volvo Tooth System, the best choice for Volvo buckets. The adapter and tooth are specifically matched to the size and model of your Volvo machine, helping to deliver maximum performance, breakout force and uptime.

- ✓ Less bucket wear
- ✓ Higher bucket fill
- ✓ Excellent penetration capability
- ✓ Longer change intervals
- ✓ Quick and easy installation: just place, push and click. Standard square sprocket required only.



Configured for success

Benefit from all the features and functions found on a standard Volvo Wheel Loader, combined with the specialist equipment needed to succeed in rock handling. In addition to the rock handling package, there are a number of other options we can offer to help you achieve optimum results in rock handling applications.

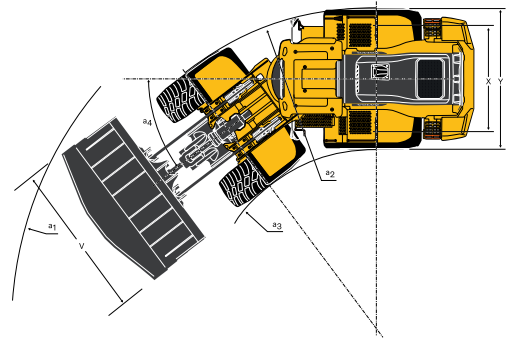
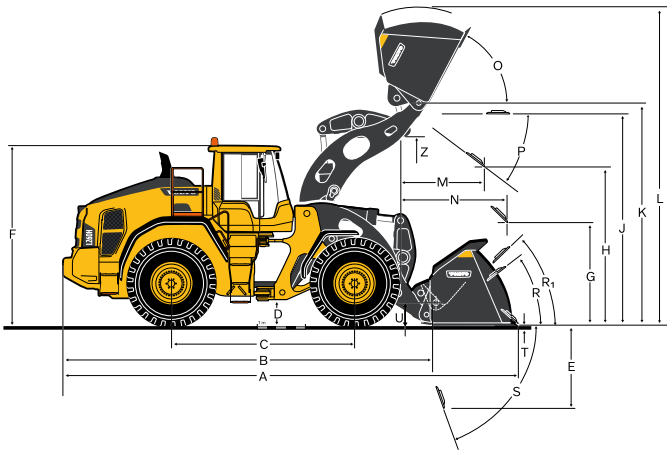
- Included in the Rock Handling package
- * Included in standard machine configuration
- o Optional equipment

Depending on the country, some optional equipment listed below may be included in the standard machine configuration. Depending on the country, some equipment listed below in the standard machine configuration may be optional.

	VOLVO ROCK LOADERS	
	L260H	L350H
Boom Suspension System (BSS)	•	•
Comfort Drive Control (CDC)	o	•*
Lube System	•	•
Headlight guards	•	•
Taillight guards, heavy-duty	•	•
Long boom	o	o
Load Assist, On-Board Weighing	o	o
Radar detect system	o	o
Rearview camera	o	o
Air pre-cleaner, cyclone type	o	o
Air pre-cleaner, turbo II type	o	o
Reversible cooling fan	•*	o
LED work lights packages	o	o
Contact your Volvo dealer for more information		



Specifications



		L260H	L260H Long Boom	L350H	L350H Long Boom*
Bucket		6 m ³ SPN RO P T SEG	5.5 m ³ STE RO P T SEG	6.9 m ³ SPN RO P T SEG	6.5 m ³ STE RO P T SEG
Tires		29,5R25 L5		875/65R33 L5	
Volume heaped ISO/SAE	m ³	6	5.5	6.9	6.5
Volume at 110% fill factor	m ³	6.6	6.1	7.6	7.2
Static tipping load straight	kg	25 910	23 530	37 950	36 860
at 35° turn	kg	22 940	20 820	33 730	32 740
at full turn	kg	22 600	20 520	33 250	32 270
Breakout force	kN	253	289	360	429
A	mm	9 990	9 870	11 580	11 490
B	mm	7 590	7 860	9 130	9 560
C	mm	3 800	3 800	4 300	4 300
D	mm	560	560	540	540
E	mm	2 190	1 890	2 120	1 740
F	mm	3 750	3 750	4 170	4 180
G	mm	2 134	2 133	2 135	2 134
H**	mm	2 910	3 490	3 370	4 180
J	mm	4 340	4 710	4 910	5 390
K	mm	4 660	5 020	5 330	5 800
L	mm	6 560	6 860	7 300	7 730
M**	mm	2 040	1 640	2 170	1 800
N**	mm	2 520	2 620	2 940	3 030
O	°	62	57	60	58
P _{max}	°	44	47	46	46
R	°	41	43	45	45
R ₁	°	46	50	48	50
S	°	75	81	66	72
T	mm	132	185	139	136
U	mm	500	590	610	740
V	mm	3 650	3 650	4 110	3 970
X	mm	2 400	2 400	2 720	2 720
Y	mm	3 210	3 210	3 630	3 630
Z	mm	3 880	4 270	4 460	4 880
a ₁	mm	16 620	16 600	18 740	18 680
a ₂	mm	7 280	7 280	8 240	8 240
a ₃	mm	4 080	4 080	4 610	4 610
a ₄	°	37	37	37	37
Operating weight	kg	35 090	35 070	51 470	52 440

* Calculated with additional counterweight

** Measured to the tip of the bucket teeth. Dump height to bucket edge measured at 45° dump angle. Note: This only applies to genuine Volvo attachments.

More than machines

Engineering machines which deliver outstanding results is just the start of how we can support your operation. As your partner we are here to help with every aspect of your Volvo machinery: how you use it, maintain it, pay for it and even how you sell it. Our portfolio of services is designed to complement your machine's performance and boost your profitability.

Volvo Certified Rebuild Program

Why replace when you can rebuild? Give your hardworking wheel loader the makeover it deserves while protecting your finances and the environment. By restoring your existing asset, Volvo Certified Rebuild Program optimizes your budget and the long-term value of your investment.

Operator training

Reliable and efficient machines play an important part in reducing costs while increasing productivity and safety, but it is the performance of the operator that really makes the difference. With a range of training initiatives, we want to help operators to unlock the full capability of their Volvo Wheel Loaders.

Genuine Volvo Parts

Maintain productivity and machine uptime with our range of readily available, tested and approved parts – all backed by Volvo warranty. Only by using Genuine Volvo Parts, can you protect your investment, extend machine life and guarantee long-lasting performance.

Volvo Simulators

With Volvo Simulators, wheel loader operators can develop their skills without creating risk to site personnel or machinery. Operators can practice specific scenarios related to forestry applications, such as loading and unloading lumber trucks using log grapples, resulting in a safer and more productive workplace when operators get back into real-world conditions.

ActiveCare Direct

Maximize machine uptime and reduce repair costs with ActiveCare Direct. Utilizing CareTrack data, the intelligent service provides round the clock machine monitoring, as well as customer reports – to help take predictive and preventative maintenance actions.

Maintenance and repair agreements

Stay on track with planned servicing and keep your asset covered with our range of flexible maintenance and repair options.



Keep it in the family

In addition to wheel loaders, Volvo is proud to provide an extensive portfolio of solutions to the quarry, mining and aggregate industries. Throughout our machinery line-up we are committed to producing machines which deliver outstanding results in rock handling applications.



VOLVO

Volvo Construction Equipment

volvoce.com