

VOLVO CONSTRUCTION EQUIPMENT

C-SERIES COMPACT TRACK LOADERS

Rated Operating Capacity (ROC): 1,900 -3,000 lbs (861-1 360 kg) 62-74 hp (46-55 kW) Tier 4f



A PASSION FOR PERFORMANCE.

At Volvo Construction Equipment, we're not just coming along for the ride. Developing products and services that raise productivity – we are confident we can lower costs and increase profits for industry experts. Part of the Volvo Group, we are passionate about innovative solutions to help you work smarter – not harder.

Helping you to do more

Doing more with less is a trademark of Volvo Construction Equipment. High productivity has long been married to low energy consumption, ease of use and durability. When it comes to lowering life-cycle costs, Volvo is in a class of its own.

Designed to fit your needs

There is a lot riding on creating solutions that are suited to the particular needs of different industry applications. Innovation often involves high technology – but it doesn't always have to. Some of our best ideas have been simple, based on a clear and deep understanding of our customers' working lives.



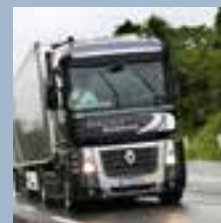
You learn a lot in 180 years

Over the years, Volvo has advanced solutions that have revolutionized the use of construction equipment. No other name speaks Safety louder than Volvo. Protecting operators, those around them and minimizing our environmental impact are traditional values that continue to shape our product design philosophy.

We're on your side

We back the Volvo brand with the best people. Volvo is truly a global enterprise, one that is on standby to support customers quickly and efficiently – wherever they are.

We have a passion for performance.



Volvo Trucks

Renault Trucks

Mack Trucks



UD Trucks



Volvo Buses



Volvo Construction Equipment



Volvo Penta



Volvo Financial Services

YOUR WORK SPACE.

Enter the safety and comfort of the Volvo cab. Work with ideally placed controls and quiet operation. Experience plenty of personal space and make the long days more productive. It all adds up to more with Volvo.

Comfort cab

The new skid steer loader cab is spacious and safe. It meets the ROPS/FOPS safety standards and offers operators 27% more space over previous models. Increased comfort means extended operator productivity.

Ample storage

Storage space is conveniently located under the left hand armrest. This easily accessible area gives the operator a secure place to store personal items such as keys. There is also a 12V power outlet here.



Interior noise

All models – both canopy and enclosed cab – are designed to limit noise in and around the operator environment. Less noise reduces operator fatigue and creates a more comfortable working environment.

Instrument consoles

Two consoles, positioned in the upper front cab corners, provide easy to read gauges. Simply presented instruments, situated for operator comfort, ensure easy viewing.



Cab access

Large side door allows operators to safely enter and exit the machine without climbing over an attachment. This minimizes the risk of slipping and the need to turn to sit down. Operators access the cab via a non-slip step. In a raised loader arm service position operators do not need to walk under the loader arm to engage the support strut.

PERFORMANCE BY DESIGN.



Loader design

The unique single loader arm design delivers the loading performance and durability of a traditional machine but with the advantages of side entry and a single tower for improved visibility and safety.

Every Volvo is designed to help you do more. Volvo tracked skid steer loaders help you reach a higher level of performance. With a unique, single loader arm design and dependability built in, we're ready for all your jobs.

Weight distribution

Weight is evenly distributed across the machine providing stability when handling both heavy and light loads. The offset cab and engine compartment counterbalance the unique single loader arm ensuring ultimate stability and balance from side to side.



Vertical lift

Excellent vertical lift that is perfect for truck loading and material handling applications due to the increase in height and reach. Also delivers greater lift capacity for efficiency in repeated load and carry operations.

Greater fuel capacity

Best-in-class fuel tank capacity means longer operating shifts and more productivity. Spend less downtime refueling.

ACCESS MORE UPTIME.

Access greater uptime with user-friendly serviceability. Perform routine daily checks or access major components - it's all within easy access. This means you spend less time maintaining your machine and more time earning money.

O-ring face seals

Hydraulic connections use o-ring face seal (ORFS) fittings to eliminate hydraulic leaks. ORFS connectors reduce downtime and service costs by providing a 100% leak free joint.



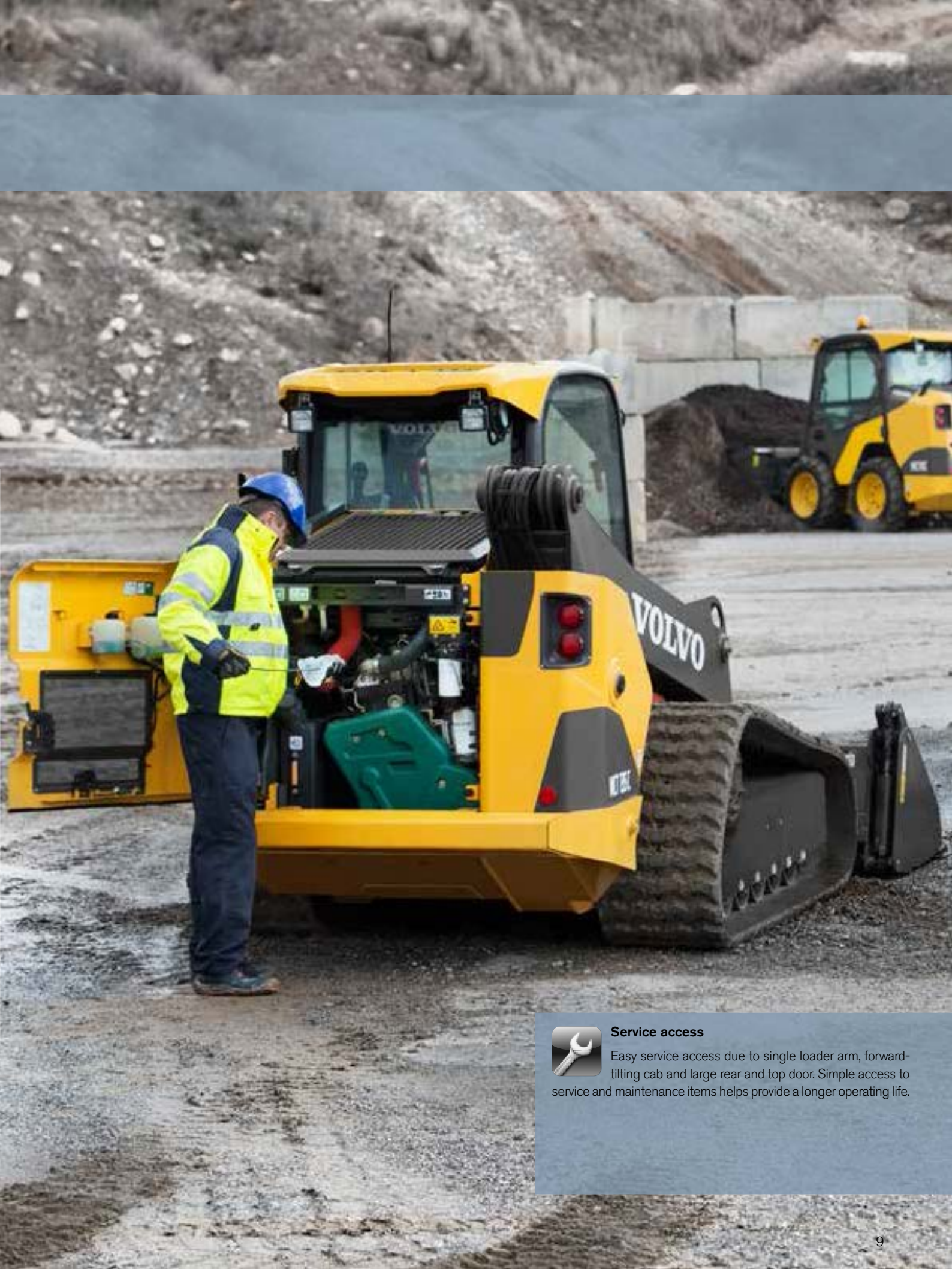
Loader pivot pins

Our loader arm pivot pins are larger and therefore stronger than those used by competitors. They effectively distribute the load over the single arm design for longevity and durability.



Cab tilt

The entire cab can easily be tilted forward by one person with the removal of two bolts from the inside. Gas struts lock into place for simple, safe and quick access to key internal components.



Service access

Easy service access due to single loader arm, forward-tilting cab and large rear and top door. Simple access to service and maintenance items helps provide a longer operating life.

SAFETY IS ALWAYS ON TRACK.



Visibility

The single tower loader arm – with no horizontal cross member on the vertical lift model – provides superior visibility. The machine has a large top window and narrow ROPS cab pillars. The unique features help the operator maneuver the machine in tight areas to maximize productivity.

Excellent all-around visibility allows you to work safely, quickly and more efficiently. That means peace of mind for you and those working around you. Safely see it all and do it all in your Volvo.

Cab door

The side door is the entire length of the cab. An unobstructed view provides improved visibility without the challenges found in other side mesh cages used in competitor machines. The door opens wide to 75 degrees ensuring easy entry and exit.



Loader arm service position

The side entry and exit cab makes engaging the loader arm support a one man operation. The operator can safely exit the machine to the side and walk round the rear without passing under the loader arm.



Safety first

The large front window provides an emergency exit 2.5 times bigger than the rear emergency exit in traditional front entry machines. ROPS/FOPS and easy machine exit gives operators peace of mind in the unlikely event of machine roll-over or falling objects.

SEE IT DO MORE.

Vertical lift

Ideal lift, height and reach for truck loading and material handling applications.

Radial lift

Ideal loader path for heavy duty attachments and ground engaging applications.



Loader design

Single loader arm design for performance, durability, improved visibility and enhanced side-entry cab access.



Customer support

Volvo will support your skid steer loader with all the parts and service assistance you need.

Attachments

The versatility and power to use a wide range of attachments in a multitude of applications.





Cab

Designed for space, safety and comfort with ROPS/FOPS and large emergency exit.

Versatility

Increased flexibility to handle more jobs with just one machine.



Cab access

Safer side entry access eliminates the need to climb over a muddy and slippery bucket or attachment.



Visibility

Single tower loader arm and large top window for all-around, class-leading visibility.

No DPF

Tier 4 final - compliance without the need of a DPF.



Service access

Simple, safe access to all service and maintenance areas with a forward-tilting cab and a large rear compartment door.

Productive track system

Increased stability on steep grades and rough terrains, maximum power from the driveline to the ground providing higher traction, lower ground pressure.

VERSATILE CONNECTIONS.

Unleash your machine's true potential with our extensive range of attachments. Our attachments work hard for you increasing your productivity and profitability across segments including building, agriculture and landscaping, demolition and road construction.

A sample of some of the attachments offered Auger

Powerful, smooth and easy for fast, effective ground hole drilling. Accepts multiple auger bits for application versatility. Hydraulically powered. Protected couplings for dependability, long life and lower costs.

Pallet forks

For pallet and material handling. Heavy-duty design provides fork strength to handle all the loads. Maximum open space between frame structure. Ideal visibility for fast, safe material handling.



Dozer blade

Heavy-duty, dozer blade effectively pushes and removes material. Replaceable wear parts prolong life. Optimum pushing power for fast work in heavy conditions. Year-round versatility, for use in snow and loose dirt.

Trencher

Ideal for utility trenching and pipe laying. High torque hydraulic motor. Heavy-duty design for dependability and long life. Provides maximum digging power for faster work. Greater versatility for increased profit opportunity.

Preparators and rakes

A wide range of rakes and preparators are available to suit multiple applications. ideal for site cleanup, rock removal and soil preparation. It will follow the ground contour, tilling and fluffing soil as it grooms.



Landscape bucket

Provide versatility and material retention. Long bucket floor length for excellent material retention. Optimal view of the cutting edge for fast, precision grading. Durable, long lasting performance even in tough conditions.



Grapple

The easy way to handle bulky or loose material of varying sizes. High-capacity handling with outstanding material retention. Provides excellent ground visibility for safe handling. Strength and durability for long life.

6 in 1 bucket

Provides versatile material handling to dig, load, dump, push, grapple and level. Adds machine flexibility for a wide range of applications. Provides good visibility to the attachment edge.

BUILT TO RUN. SUPPORTED FOR LIFE.

Volvo will support your skid steer loader with all the parts and service assistance you need. We have a strong team of local dealers on hand to assist you to make sure your machines perform at their best and have a long operating life. Volvo won't let you down.

Dealer support network

Whatever you do, wherever you go, your Volvo Construction Equipment dealer is there with you – around the globe. A comprehensive range of dependable Volvo equipment. Trusted industry experience. Reliable parts and service support. Your local Volvo dealer is in the right place to find the right solution.

State-of-the-art machines require state-of-the-art support and your Volvo dealer can provide a catalogue of services designed to get the most out of your machine, helping you maximise uptime, productivity and resale

value. Your local Volvo dealer can provide a number of sophisticated support offers, including:

Service plans ranging from routine wear inspections, through to comprehensive maintenance and repair agreements.

Analysis and diagnostics to help you understand how your machine is running, highlight potential maintenance issues and identify where performance can be improved.



Service and support

Your dealer is ready to help increase your uptime by attending to your service needs and offering expert support. With trusted industry experience and solutions for all your jobs, Volvo offers first class support.



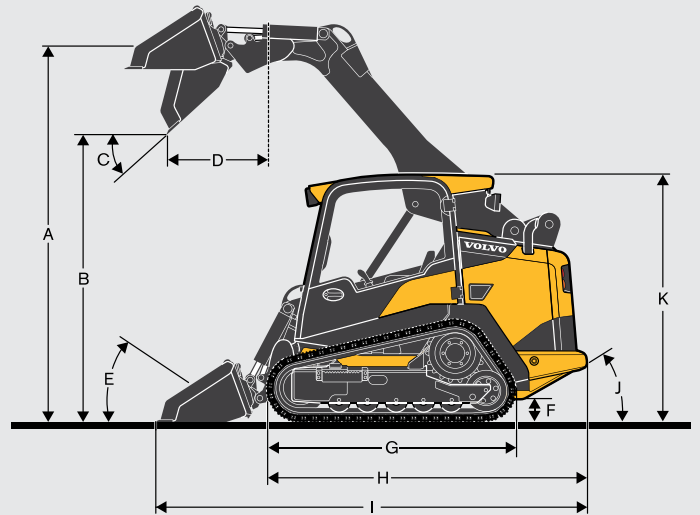
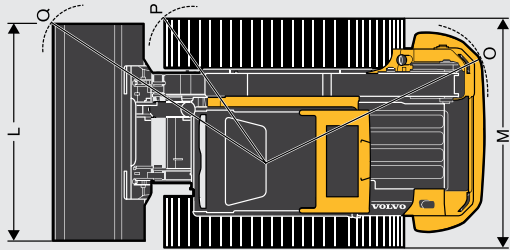
Taking care of your needs

Rely on your local Volvo dealer for all the support services you need. They've got the tools to help you achieve more and increase profits.

VOLVO COMPACT TRACK LOADERS IN DETAIL.



Description	Units		MCT85C		MCT110C	
Engine						
Model			KDI 2054 TCR		TCAE-55	
Cylinders			4		4	
Fuel type			Diesel		Diesel	
Displacement	cm ³	in ³	2 481	151.4	4 399	268
Aspiration			Turbo		Turbo	
Cooling system			Water		Water	
Horsepower						
SAE gross power	kW	hp	46	62	55	74
SAE net power	kW	hp	45.1	60.5	54.5	72.6
@ engine speed	@ rpm		2,600		2,200	
Max. gross torque	Nm	lb-ft	300	221	400	295
@ engine speed	@ rpm		1,500		1,200	
Max. no load speed	rpm		2,750		2,450	
Electrical system						
Battery	V - Ah		12 - 109		12 - 109	
Alternator	Ah		100		95	
Starter	hp / kW		2	2.72	4.2	5.63
Drivetrain						
Tracks	mm	in	320	12.6	450	18.0
Ground bearing pressure, soft soil	kPa	psi	41.6	6.0	30.9	4.5
Hydraulics system-loader						
Std hydraulic pump output flow @ rated rpm	lpm	gpm	70	18.5	90	24
High flow pump output @ rated rpm	lpm	gpm	100	26.4	125	33
Engine speed	@ rpm		2,600		2,450	
System pressure	bar	psi	230	3,335	230	3,335
Service capacities						
Cooling system	l	US gal	10	2.6	15.5	4.1
Engine crankcase with filter, change	l	qt	9.75	10.3	15	15.9
Fuel tank	l	US gal	92	24.3	103	27.2
Hydraulic system - total capacity	l	US gal	43.5	11.5	60	15.9
Hydraulic reservoir capacity	l	US gal	26	6.9	26	6.9
Performance						
Lift arm path			Vertical		Radial	
Rated operating capacity (SAE)	kg	lbs	862	1,900	1 021	2,250
Tipping capacity (SAE)	kg	lbs	2 462	5,429	2 915	6,428
Operating weight (SAE)	kg	lbs	3 790	8,355	4 640	10,216
Breakout force, lift	kg	lbs	1 570	3,461	2 669	5,884
Breakout force, curl	kg	lbs	2 140	4,718	2 585	5,699
Maximum travel speed						
Single speed	km/h	mph	10	6.2	9	5.7
Two speed	km/h	mph	9 / 12.6	5.6 / 7.8	7.7 / 12.6	4.8 / 7.8
Cycle time						
Raise (lifting)	seconds		5.1		3.5	
Lower (power down)	seconds		3.5		2.3	
Curl	seconds		1.4		1.4	
Dump	seconds		1.8		1.8	



Description	Units		MCT85C		MCT110C	
	mm	in	mm	in	mm	in
A Height to hinge pin	3 020	118.9	3 180	125.2		
B Dump height	2 290	90.2	2 420	95.3		
C Dump angle		°	42		42	
D Dump reach	850	33.4	585	23.0		
E Roll back angle		°	30		30	
F Ground clearance	230	9.1	248	9.8		
G Wheelbase	1 780	70.1	2 100	82.7		
H Overall length (L/bucket)	2 780	109.4	2 940	115.7		
I Overall length (W/bucket)	3 530	139	3 690	145.3		
J Angle of departure		°	27		28.7	
K Overall height	2 000	78.7	2 080	81.9		
L Bucket width	1 829	72	1 980	78.0		
M Over tracks width (L/bucket)	1 680	66.1	1 850	72.8		
O Turning radius rear	1 650	65.0	1 760	69.3		
P Turning radius front L/bucket	1 140	44.9	1 480	58.3		
Q Turning radius front W/bucket	2 090	82.3	2 420	95.3		

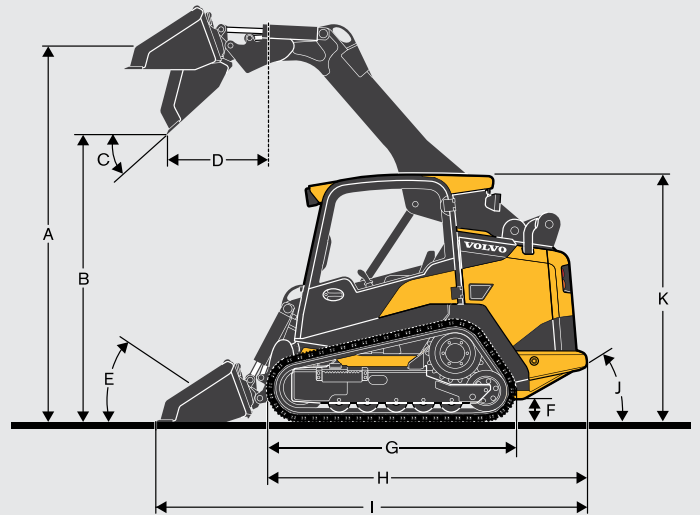
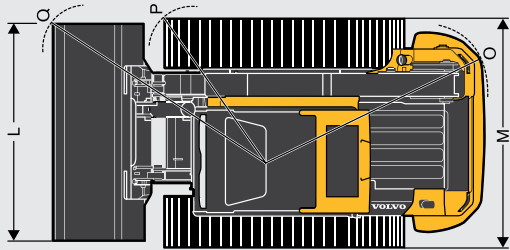
Pallet forks	Overall height	Overall width		Overall length		Adjustable tine spacing				Pallet fork rating		Overall weight			
		mm	in	mm	in	mm	in	mm	in	kg	lbs	kg	lbs		
MCT85C, MCT110C	PF-42	984	38.75	1 194	45.75	1 313	51.7	229	9	1 143	45	2 722	6,000	206	455
	PF-48	984	38.75	1 194	45.75	1 466	57.7	229	9	1 143	45	2 722	6,000	218	480

Data according to bucket type	Bucket										
		Width		Length		Height		Weight		Heaped cap	
		mm	in	mm	in	mm	in	kg	lbs	m ³	cf ³
MCT85C, MCT110C	General Purpose Bucket	1 676	66	800	31.5	521	20.5	200	441	0.39	13.9
	General Purpose Bucket	1 829	72	800	31.5	521	20.5	215	473	0.43	15.2
	General Purpose Bucket	1 981	78	800	31.5	521	20.5	246	543	0.47	16.5
	Landscape Bucket	1 676	66	953	37.5	521	20.5	217	479	0.49	17.2
	Landscape Bucket	1 829	72	953	37.5	521	20.5	232	511	0.54	18.9
	Landscape Bucket	1 981	78	953	37.5	521	20.5	264	582	0.58	20.5
	Multi Purpose Bucket	1 676	66	953	37.5	701	27.6	259	572	0.45	15.8
	Multi Purpose Bucket	1 829	72	953	37.5	701	27.6	352	775	0.57	20.0
Multi Purpose Bucket	1 981	78	953	37.5	701	27.6	382	842	0.61	21.7	

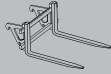
VOLVO COMPACT TRACK LOADERS IN DETAIL.

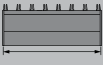

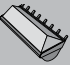


Description	Units		MCT125C		MCT135C	
Engine						
Model			TCAE - 55		TCAE - 55	
Cylinders			4		4	
Fuel type			Diesel		Diesel	
Displacement	cm ³	in ³	4 399	268	4 399	268
Aspiration			Turbo		Turbo	
Cooling system			Water		Water	
Horsepower						
SAE gross power	kW	hp	55	74	55	74
SAE net power	kW	hp	54.5	72.6	54.5	72.6
@ engine speed			@ rpm		@ rpm	
Max. gross torque	Nm	lb-ft	400	295	400	295
@ engine speed			@ rpm		@ rpm	
Max. no load speed			rpm		rpm	
Electrical system						
Battery	V - Ah		12 - 109		12 - 109	
Alternator	Ah		95		95	
Starter	hp / kW		4.2	5.63	4.2	5.63
Drivetrain						
Tracks	mm	in	450	18.0	450	18.0
Ground bearing pressure, soft soil	kPa	psi	32.0	4.6	33.5	4.9
Hydraulics system-loader						
Std hydraulic pump output flow @ rated rpm	lpm	gpm	90	24	90	24
High flow pump output @ rated rpm	lpm	gpm	125	33	125	33
Engine speed			@ rpm		@ rpm	
System pressure	bar	psi	230	3,335	230	3,335
Service capacities						
Cooling system	l	US gal	15.5	4.1	15.5	4.1
Engine crankcase with filter, change	l	qt	15	15.9	15	15.9
Fuel tank	l	US gal	103	27.2	103	27.2
Hydraulic system - total capacity	l	US gal	60	15.9	60	15.9
Hydraulic reservoir capacity	l	US gal	26	6.9	26	6.9
Performance						
Lift arm path			Vertical		Vertical	
Rated operating capacity (SAE)	kg	lbs	1 179	2,600	1 361	3,000
Tipping capacity (SAE)	kg	lbs	3 624	7,991	3 913	8,628
Operating weight (SAE)	kg	lbs	4 879	10,756	5 120	11,827
Breakout force, lift	kg	lbs	2 634	5,809	2 634	5,809
Breakout force, curl	kg	lbs	3 260	7,187	3 260	7,187
Maximum travel speed						
Single speed	km/h	mph	9.2	5.7	9.2	5.7
Two speed	km/h	mph	7.7 / 12.6	4.8 / 7.8	7.7 / 12.6	4.8 / 7.8
Cycle time						
Raise (lifting)	seconds		5.1		5.1	
Lower (power down)	seconds		3.5		3.5	
Curl	seconds		1.4		1.7	
Dump	seconds		1.8		2.3	



Description	Units		MCT125C		MCT135C	
A Height to hinge pin	mm	in	3 180	125.2	3 180	125.2
B Dump height	mm	in	2 420	95.3	2 390	94.1
C Dump angle		°		42		42
D Dump reach	mm	in	870	34.3	900	35.4
E Roll back angle		°		30		30
F Ground clearance	mm	in	248	9.8	248	9.8
G Wheelbase	mm	in	2 100	82.7	2 100	82.7
H Overall length (L/bucket)	mm	in	2 940	115.7	3 030	119.3
I Overall length (W/bucket)	mm	in	3 690	145.3	3 780	148.8
J Angle of departure		°		28.7		28.7
K Overall height	mm	in	2 080	81.9	2 080	81.9
L Bucket width	mm	in	1 980	78	2 130	83.9
M Over tire width (L/bucket)	mm	in	1 980	78	1 980	78
O Turning radius rear	mm	in	1 760	69.3	1 760	69.3
P Turning radius front L/bucket	mm	in	1 480	58.3	1 480	58.3
Q Turning radius front W/bucket	mm	in	2 420	95.3	2 420	95.3

Pallet forks		Overall height		Overall width		Overall length		Adjustable tine spacing				Pallet fork rating		Overall weight	
		mm	in	mm	in	mm	in	mm	in	mm	in	kg	lbs	kg	lbs
MCT125C	PF-42	984	38.75	1 194	45.75	1 313	51.7	229	9	1 143	45	2 722	6,000	206	455
MCT135C	PF-48	984	38.75	1 194	45.75	1 466	57.7	229	9	1 143	45	2 722	6,000	218	480

Data according to bucket type	Bucket										
		Width		Length		Height		Weight		Heaped cap	
		mm	in	mm	in	mm	in	kg	lbs	m ³	cf ³
MCT125C	General Purpose Bucket	1 981	78	800	31.5	521	20.5	246	543	0.47	16.5
MCT135C	General Purpose Bucket	2 134	84	800	31.5	521	20.5	261	576	0.50	17.8
	Landscape Bucket	1 981	78	953	37.5	521	20.5	264	582	0.58	20.5
	Landscape Bucket	2 134	84	953	37.5	521	20.5	279	615	0.63	22.3
	Multi Purpose Bucket	1 981	78	953	37.5	701	27.6	382	842	0.61	21.7
	Multi Purpose Bucket	2 134	84	953	37.5	701	27.6	401	884	0.66	23.4

EQUIPMENT.

● = Standard ○ = Optional	MCT85C	MCT10C	MCT125C	MCT135C
Engine				
4-cylinder, 16-valve, electronic common rail, liquid-cooled, direct-injection, turbocharged diesel engine	●	●	●	●
Meet US EPA-Tier 4f	●	●	●	●
Self-cleaning, dual-element, air cleaner, including primary filter and safety element	●			
Self cleaning, triple stage air cleaner, including built-in pre-cleaner with active scavenging, primary filter and safety element		●	●	●
12-Volt heavy-duty starter	●	●	●	●
Alternator with internal regulator	●	●	●	●
Grid heater	●	●	●	●
Quick cycle engine preheat	●	●	●	●
Engine oil remote drain hose	●	●	●	●
High-capacity radiator	●	●	●	●
Top mounted, hydraulic oil cooler	●	●	●	●
Auto-idling	●	●	●	●
Reversible fan	○	○	○	○
Maintenance-free Diesel Oxidation Catalyst (DOC)	●			
Spark arrestor muffler	○	○	○	○
Engine block heater 110V	○	○	○	○
External pre-cleaner (cyclonic type)	○	○	○	○
Cab, canopy equipment				
Isolation mounted canopy, FOPS & ROPS, with low left-hand side door	●	●	●	●
Isolation mounted, heated fully glazed sealed and pressurized cab, FOPS & ROPS, washer/wiper and sliding left hand window	○	○	○	○
Isolation mounted, Air conditioned/heated fully glazed sealed and pressurized cab, FOPS & ROPS, washer/wiper and sliding left hand window	○	○	○	○
Right-hand laminated glass	●	●	●	●
Cab access step on undercarriage	●	●	●	●
Top window	●	●	●	●
In-cab rearview mirror	●	●	●	●
Interior light	●	●	●	●
Pod storage area	●	●	●	●
12-Volt power accessory outlet	●	●	●	●
Cup holder	●	●	●	●
Emergency exit through front windshield	●	●	●	●
Radio with Aux. In	○	○	○	○
In-cab fuse panel	●	●	●	●
In-cab analog hourmeter	○	○	○	○

● = Standard ○ = Optional	MCT85C	MCT10C	MCT125C	MCT135C
Control panel				
Engine start/stop key switch	●	●	●	●
Electronic hand throttle	●	●	●	●
Electric lift and tilt hydraulic lockouts	●	●	●	●
Park brake switch	●	●	●	●
Full audible and visual warning systems (Charge pressure, Coolant temperature, Hydraulic oil and Engine oil pressure, Air filter restriction, Alternator)	●	●	●	●
Fuel gauge	●	●	●	●
Coolant temperature gauge	●	●	●	●
Hydraulic oil temperature gauge	●	●	●	●
Hourmeter	●	●	●	●
Keyless start with immobilizer	○	○	○	○
Controls				
3-way function levers	●	●	●	●
7-way function levers, with 14-pin connector	○	○	○	○
Operator modes	●	●	●	●
Control pattern selection: ISO or H-pattern	○	○	○	○
Foot throttle	●	●	●	●
Seats and seat belts				
Operator seat bar	●	●	●	●
Static seat, vinyl	○	○	○	○
Mechanical suspension seat, vinyl	●	●	●	●
Air suspension seat, heated, with adjustable control pods, vinyl	○	○	○	○
Air suspension seat, heated, with adjustable control pods, cloth	○	○	○	○
2" retractable seat belt	●	●	●	●
3" retractable seat belt	○	○	○	○
3pts 2" retractable seat belt	○	○	○	○
3pts 3" retractable seat belt	○	○	○	○
Loader arm & Hydraulic functions				
Radial lift		●		
Vertical lift	●		●	●
Parallel lift (raise)	●	●	●	●
Lift-arm mounted auxiliary hydraulics (Flat face couplers)	●	●	●	●
Left hand mounted auxiliary couplers	○	○	○	○
Low flow case drain return line	●	●	●	●
High flow auxiliary hydraulics	○	○	○	○
Mechanical attachment bracket	●	●	●	●
Assisted attachment bracket	○	○	○	○
Boom Suspension System	○	○	○	○
Floater function	●	●	●	●
Creep control	○	○	○	○
Hardide pivot pins (loader to coupler)	○	○	○	○

	MCT85C	MCT110C	MCT125C	MCT135C
● = Standard ○ = Optional				
Lighting & warning				
2 front 50-Watt work lights	●	●	●	●
1 rear 50-Watt work light (2 if AC)	●	●	●	●
Additional (2nd) 50-Watt work light (if no AC)	○	○	○	○
Rotating beacon	○	○	○	○
Back-up alarm with rear light	●	●	●	●
White noise back-up alarm	○	○	○	○
Road light kit	○	○	○	○
Driveline, undercarriage				
2 servo-assisted variable displacement piston pumps mounted in tandem	●	●	●	●
2 fixed displacement high torque motors	●	●	●	●
2-speed	○	○	○	○
Tracks 320 mm	●	○	○	
Tracks 450 mm		●	●	●
Hydraulic park brake	●	●	●	●
Maintenance				
Lockable rear service door	●	●	●	●
Heavy-duty, maintenance-free battery - 1000CCA	●	●	●	●
Master electrical shut-off switch	●	●	●	●
Lockable fuel cab	●	●	●	●
Tilting canopy/cab	●	●	●	●
Lift-arm support strut	●	●	●	●
Emergency boom lower valve	●	●	●	●
Segment protection packages				
Equip your Compact Track Loader with special application packages, including:				
FOPS level 2 roof guard				
Front screen guard				
Heavy duty rear bar				
Tilt cylinder guard				
Lexan screen				
Mud guards and fuel cap protection				

Contact your local dealer for more info

SELECTION OF VOLVO OPTIONAL EQUIPMENT

Heated cab with air conditioning for year-round comfort



Boom Suspension System for faster and more comfortable work cycles



High flow auxiliary hydraulics



2-speed option helps you get the job done faster



Volvo assisted attachment bracket allows the operator to change attachment from the seat



VOLVO CONSTRUCTION EQUIPMENT

Volvo Construction Equipment is different. Our machines are designed, built and supported in a different way. That difference comes from an engineering heritage of over 180 years. A heritage of thinking first about the people who actually use the machines. About how to help them be safer, more comfortable, more productive. About the environment we all share. The result of that thinking is a growing range of machines and a global support network dedicated to helping you do more. People around the world are proud to use Volvo.

Not all products are available in all markets. Under our policy of continuous improvement, we reserve the right to change specifications and design without prior notice. The illustrations do not necessarily show the standard version of the machine.

VOLVO

Volvo Construction Equipment
www.volvoce.com

Ref. No VOE2210009313 English-22
Printed in USA, 11/2013 - 0,1 USA
Volvo, Shippensburg