



Volvo Construction Equipment

EW140D

VOLVO EXCAVATORS 14.1-16.1t 143hp



A PASSION FOR PERFORMANCE.

At Volvo Construction Equipment, we're not just coming along for the ride. Developing products and services that raise productivity – we are confident we can lower costs and increase profits for industry experts. Part of the Volvo Group, we are passionate about innovative solutions to help you work smarter – not harder.

Helping you to do more

Doing more with less is a trademark of Volvo Construction Equipment. High productivity has long been married to low energy consumption, ease of use and durability. When it comes to lowering life-cycle costs, Volvo is in a class of its own.

Designed to fit your needs

There is a lot riding on creating solutions that are suited to the particular needs of different industry applications. Innovation often involves high technology – but it doesn't always have to. Some of our best ideas have been simple, based on a clear and deep understanding of our customers' working lives.



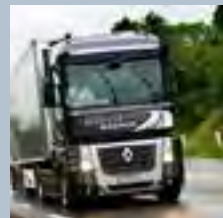
You learn a lot in 180 years

Over the years, Volvo has advanced solutions that have revolutionized the use of construction equipment. No other name speaks Safety louder than Volvo. Protecting operators, those around them and minimizing our environmental impact are traditional values that continue to shape our product design philosophy.

We're on your side

We back the Volvo brand with the best people. Volvo is truly a global enterprise, one that is on standby to support customers quickly and efficiently – wherever they are.

We have a passion for performance.



Volvo Trucks

Renault Trucks

Mack Trucks



UD Trucks



Volvo Buses



Volvo Construction Equipment



Volvo Penta



Volvo Aero



Volvo Financial Services

BUILT FOR EFFICIENCY.

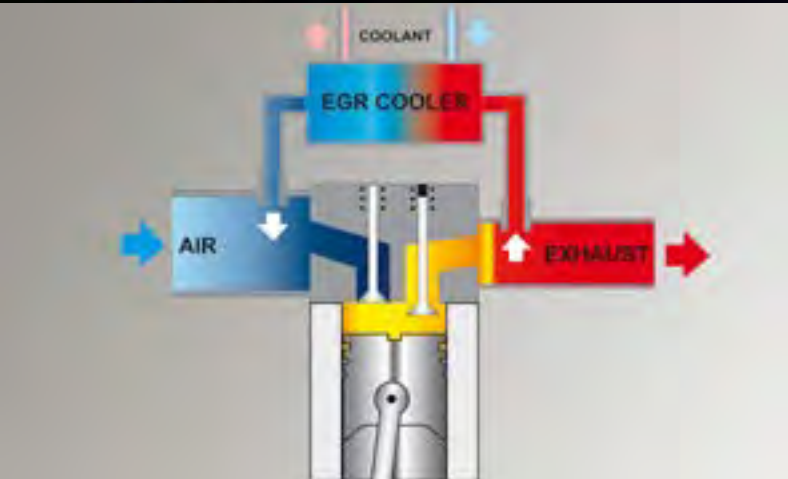
At Volvo we are proud of our fuel efficient and environmentally responsible machines, we deliver more power for less fuel. The EW140D is no exception; our newly developed engine meets all legislative requirements, improves performance and lowers fuel consumption to save you time and money.

Fuel efficiency

Increased fuel efficiency from Volvo's D4 Stage IIIB/Tier 4 Interim engine, enhanced hydraulic system and well matched Volvo components. More power with ultimate efficiency.

Diesel Particulate Filter (DPF)

The active-type DPF includes a Diesel Oxidation Catalyst function and regeneration burner. The system temporarily holds the exhaust fumes and incinerates them, lowering emissions without reducing performance.



Exhaust Gas Recirculation (EGR) and Electronic Control Unit (ECU)

Efficient cooled external EGR reduces oxygen concentration and decreases the combustion temperature for lower emissions. The ECU controls the mix of recirculated exhaust gas and fresh air – crucial for reducing emissions, performance and fuel economy.

Regeneration

Particles collected during filter cleaning are oxidised and transformed into non-toxic CO₂ every 6-10 hours. Volvo's regeneration system does not interrupt operation, performance or productivity. Regeneration can be postponed if the timing is inconvenient.



Volvo D4 Stage IIIB/Tier 4 Interim engine

Volvo's efficient diesel engine with V-ACT technology gives you more power, while consuming less fuel, for high torque at low engine speeds. Low emission levels for ultimate efficiency and environmental care.

DEMAND CONTROL.



Industry-leading cab

All-round visibility and an excellent operator environment are at the heart of Volvo's cab design. The spacious cab, with ample storage and leg room and easy to access controls, increases operator productivity and reduces fatigue.

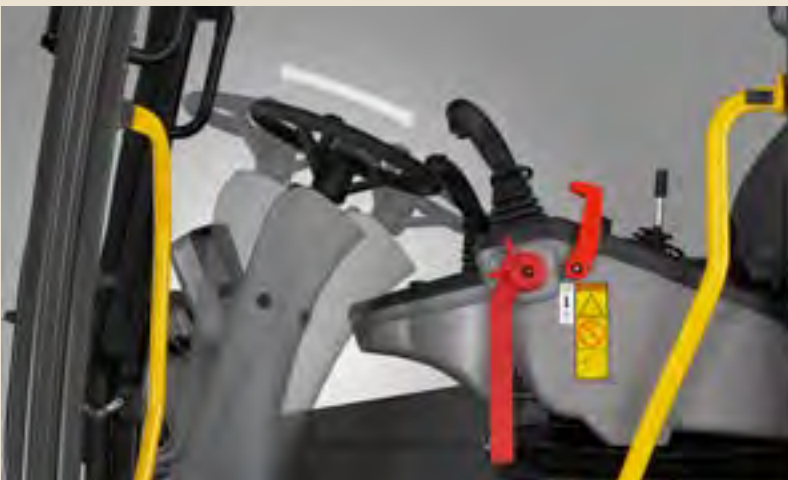
Volvo puts you in control with its industry leading cab; achieve more while working comfortably. Get productive with our excellent all-round visibility, increased safety and ample space. See more and do more with Volvo.

Adjustable steering column

Slim design of the easily adjustable steering column ensures visibility is not impaired for increased operator comfort.

ROPS

The cab features Roll Over Protective Structure (ROPS) which meets the ISO 12117-2 safety standard for increased peace of mind in the unlikely event of machine roll over.



Smart controls

Navigate through the colour I-ECU monitor via the conveniently located control panel. The monitor can be clearly read in all light conditions for easy visual and diagnostic checks, increasing uptime and productivity.

Automatic climate control system

Operators can set their ideal temperature with Volvo's powerful climate control system which is fitted as standard. Industry leading air circulation and defrosting capability is delivered with 14 well-spaced vents for increased comfort and productivity.

WE SET THE STANDARD.

Quality is at the forefront of the wheeled excavator design. These tough machines are highly mobile, productive and flexible – both on and off-road. Trust Volvo for quality you can rely on.

Anti-slip plate

Added operator and service mechanic safety from punched anti-slip plate which provides superb grip, especially in wet or icy conditions.

Hammer/shear (X1) and attachment rotation (X3) management

Increase your wheeled excavator versatility with optional hydraulics functions X1 hammer/shear and X3 rotation. X1 function utilizes the main system hydraulic flow to operate attachments requiring one or two way flow whereas X3 function provides an appropriate 2 way flow for tilting or rotating attachments.

LED rear lights

LED lights on the rear counterweight provide longer life time and improved appearance.



Stays and locking devices

Volvo's automatic stays prevent doors being blown closed for added safety, they can easily be manually released. Automatic locks ensure the doors close properly and enhance appearance.

Battery disconnect switch

The benefits of turning the battery disconnect switch off include; safeguarding the electrical system during maintenance, protection of the battery voltage when the machine is not used for long periods and prevention of theft and unauthorized use.

Tightening eyes

A new type of over dimensioned tightening eyes secure the machine to the trailer and enable it to be lifted. The four eyes are on top of the undercarriage sides to ensure easy operator access.



VOLVO



Quality

Volvo matched components and an excellent combination of features come together to produce a quality machine. Our rear view camera is fitted as standard and provides superb clarity via the colour I-ECU monitor. An optional side view camera further increases safety.

PERFORMANCE YOU CAN MEASURE.



Performance

Optimized breakout and digging force through impeccable hydraulic cylinders ensure increased digging power for high performance. The radial blade width is 2.55m and an optional parallel blade is available. Kinematics minimize road damage.

The Volvo wheeled excavators are designed to help you do more. An enhanced hydraulic system and well matched Volvo components guarantee you increased digging performance. It all adds up to more with Volvo.

Attachment management system

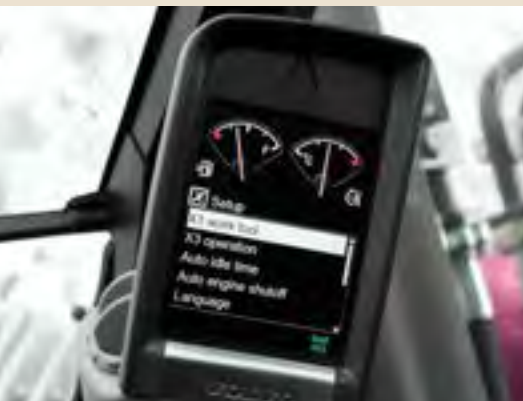
Allows storage of up to 18 different attachment presets and enables hydraulic flow (standard) and pressure (optional) to be adjusted according to requirements. Operators can change attachments quickly without manual setup.

Eco mode

For increased fuel efficiency eco mode has been added to the choice of work modes available. Choose the correct mode according to your working conditions for added versatility and increased performance.

Travel motor

New electrical, proportional control travel motor provides increased controllability for smoother downhill rides and when increasing speed while carrying a heavy load. For all models except 20Km/h version.



Tilt rotator

The optional tilt rotator acts as a wrist between the arm and bucket of the machine. It combines 360° rotary motion with 45° tilt action for flexibility and profitability.

Axle oscillation and lock

For increased off-road performance the front axle oscillation is 9° or 6° if mudguards are specified. Oscillation lock can be activated by the operator or automatically when 'Parking Mode' is selected.

Automatic idling system and automatic engine shut down

The idling system reduces rpm when the controls are inactive for a specified time (between 3-20 seconds). When the machine is stationary for the selected time the engine will automatically shut down – this is easily disabled and adjusted. Reduce fuel consumption and save money.

EASY TO MAINTAIN.

Serviceability is built in to the new EW140D. Easy access to grouped service points allows for fast and effortless maintenance and service checks. Increase your uptime with Volvo.

Grouped filters

Grouped filters in the pump compartment are accessible via one door at ground level for faster servicing and more machine uptime.

Fuel filler pump

Get more versatility from the fuel filler pump which allows for the machine to be re-filled from an external fuel tank. This provides 50l/min and an auto-stop function.

Rear access

New rear entry behind the cab grants safe and easy access to the main hydraulic components and engine. Stairway allows for access to the top of the superstructure.



CareTrack

Volvo's telematics system guides machine owners towards optimized productivity and their next service – remotely. Get fuel consumption and location reports to save fuel and reduce costs.

Grouped greasing points

Conveniently located boom and arm greasing points are grouped for simplicity and ease of access. Greasing is needed at 50 hour intervals and at 250 hours for the slew ring. Quicker maintenance leads to increased productivity.

Cooling system

Cooling fan speed is controlled to its need which reduces fuel consumption and noise. The three coolers – change air cooler, water cooler and hydraulic cooler – form a single layer layout and are cooled by one fan for a more compact design, which is easy to service and clean – guaranteeing you more uptime.



Serviceability

Grouped filters and accessible radiators are quick to access from ground level via large compartment doors – increasing safety. Fast and easy access for maintenance means regular checks are more likely to be done leading to longer machine operating life.

THE COMPLETE PACKAGE.

Boom configurations

The EW140D is available with either a mono boom, a two piece boom or a mono offset boom providing increased flexibility and versatility.



Quality

Volvo matched components and excellent features combine to produce a quality machine you can trust.

Auto greasing system

This optional feature supplies the correct amount of lubrication to all greasing points on a timed basis for reduced costs.

Eco mode

Work in Volvo's new eco mode for increased fuel efficiency.

Radial blade

The radial blade width is 2.55m. An optional parallel blade is also available.





Cab

Spacious cab with excellent all-round visibility and easy to access controls. Approved to ROPS safety standards.

Diesel Particulate Filter (DPF)

The active-type DPF incinerates exhaust fumes to lower emissions.



Stage III B/Tier 4 Interim engine

Volvo's efficient diesel engine with V-ACT technology gives you more power, while consuming less fuel for low emission levels.

Heavy counterweight

A 15% heavier counterweight for increased stability when using bulky attachments is available as an option for more versatility.



Serviceability

Grouped filters are quick and easy to access from ground level via large compartment doors for increased safety.

Travel motor

New electrical, proportional control travel motor provides increased controllability for a smoother downhill ride.

VOLVO EW140D IN DETAIL.

Engine

Volvo Construction Equipment is ready to comply with the tough new EU Stage IIIB and US (EPA) Tier 4 interim legislation for off-road vehicles with the introduction of a cascade of innovations in its new generation engines with Volvo Advanced combustion technology (V-ACT).

Volvo machines are equipped with Volvo designed and manufactured in-line turbo charged diesel engine with high pressure unit injector system. The engine features a externally cooled exhaust gas re-circulation (E-EGR) and a Diesel Particulate Filter.

Engine	VOLVO D4H	
Power output at	rpm	2 000
Gross (ISO 14396)	kW	105
	hp	143
Net (ISO 9249, DIN 6271)	kW	102
	hp	139
Max. torque at 1600 rpm	Nm	609
No. of cylinders		4
Displacement	l	4
Bore	mm	101
Stroke	mm	126

Electrical system

High-capacity electrical system that is well protected. Waterproof double-lock harness plugs are used to secure corrosion-free connections. The main relays and solenoid valves are shielded to prevent damage. The master switch is standard.

Voltage	V	24
Battery	V	2 x 12
Battery capacity	Ah	2 x 140
Alternator	V / A	28 / 120
Alternator rating	W	3 360

Undercarriage

Drive train: A variable axle piston motor in combination with a power shift gearbox supplies 3 speeds. The gearbox distributes the energy via propeller shafts to the axles.

Framework: All-welded robust torsion box frame.

Wheels: Alternative single and twin wheels available.

Front axle: Robust excavator axle with automatic or operator controlled front axle oscillation lock.

Oscillating	°	9
with mudguards	°	6
Twin wheels		10.00-20
Max. tractive force (net)	kN	82

Travel speed

on road	km/h	20.0/30.0/35.0
off road	km/h	5.0/7.4/8.8
creep	km/h	5
Min. turning radius	m	7.3

Cab

New-design Volvo Care Cab with operator protective structure, large and roomy interior, more leg room and foot space. One way travel pedal with rocker switch control (F-N-R) on the right joystick. One-touch release for digging brake pedal. Audio system with remote control. 3 cup holders, 3 outlets, independently adjustable joystick consoles.

Excellent all-round visibility provided by maximized cab class, transparent roof hatch, 2-piece sliding door window and longstroke, easy to adjust and narrow steering column. The liftable front windshield can easily be stored in the inside roof space and clipped in position. The removable lower front glass can be stored in the side door pocket. Interior lighting consists of one reading light and one light with timer. The pressurized and filtered cab air is supplied by a 14-vent climate-control providing fast defrosting and high cooling and heating performance. Viscous/spring mounted suspension cushions protect the operator from vibrations. Deluxe air-suspension seat with adjustable seat suspension, height, tilt, recline and forward-backward settings (option).

Adjustable, easy to read 6.4" LCD color monitor provides real time information of machine functions and important diagnostic information and is switchable to rear view camera monitor.

Sound Level

In cab, acc. to ISO 6396	LpA dB(A)	70
External, acc. to ISO 6395	LwA dB(A)	101

(Directive 2000/14/EC)

Hydraulic system

Closed-centre load sensing hydraulic system with pressure compensated valves. Load independence of movements. Flow sharing feature, combined with a high flow electronically controlled pump (power regulation). The system gives superior manoeuvrability and fast movements, for optimal working result and economy.

The following working modes are included in the system:

Parking mode (P): Parking position for optimal safety.

Travel mode (T): Engine speed is controlled by travel pedal stroke for low fuel consumption and noise.

Working mode (W): Full working flow with adjustable engine rpm for normal working and best speed utilisation.

Customer mode (C): Operator can set proper oil flow in accordance with job conditions.

Power Boost: All digging and lifting forces are increased.

Hydraulic pumps:

Max. flows:

Main pump (type low noise axial piston pump)	l/min	247
Brake + steering pump (type low noise gear pump)	l/min	36
Servo pump (type low noise gear pump)	l/min	15
Max. pressure:		
Implements	MPa	32/36
Travel system	MPa	36
Pilot System	MPa	4

Brakes

Service brakes: servo-hydraulically manoeuvred self-adjusting wet multidiscs with two separate brake circuits.

Parking brake: negative wet disc in gear housing, spring applied and pressure released.

Digging brake: service brake with mechanical lock system.

Security system: The 2-circuit travel brakes are supplied with two accumulators in the event of failure in the service brake system.

Total machine weights

Machine with 4.5 m mono boom, 2.45 m dipper arm, quickfit S6, 410 kg /580 l bucket. Standard counterweight.

Parallel blade front and outriggers rear	kg	15 900
Radial blade front and outriggers rear	kg	15 200
Radial blade rear only	kg	14 100
Parelell blade rear only	kg	14 800

Machine with 4.7m 2-piece boom, 2.45 m dipper arm, quickfit S6, 410 kg /580 l bucket. Standard counterweight.

Parallel blade front and outriggers rear	kg	16 100
Radial blade front and outriggers rear	kg	15 400
Radial blade rear only	kg	14 300
Parelell blade rear only	kg	15 000

Service refill capacities

Fuel tank	l	250
Hydraulic system, total	l	230
Hydraulic tank	l	98
Engine oil	l	18
Engine coolant	l	30
Transmission	l	2.5
Axel differential:		
Front axle	l	9
Rear axle	l	11.5
Final drive, wet disc type	l	4 x 2.4

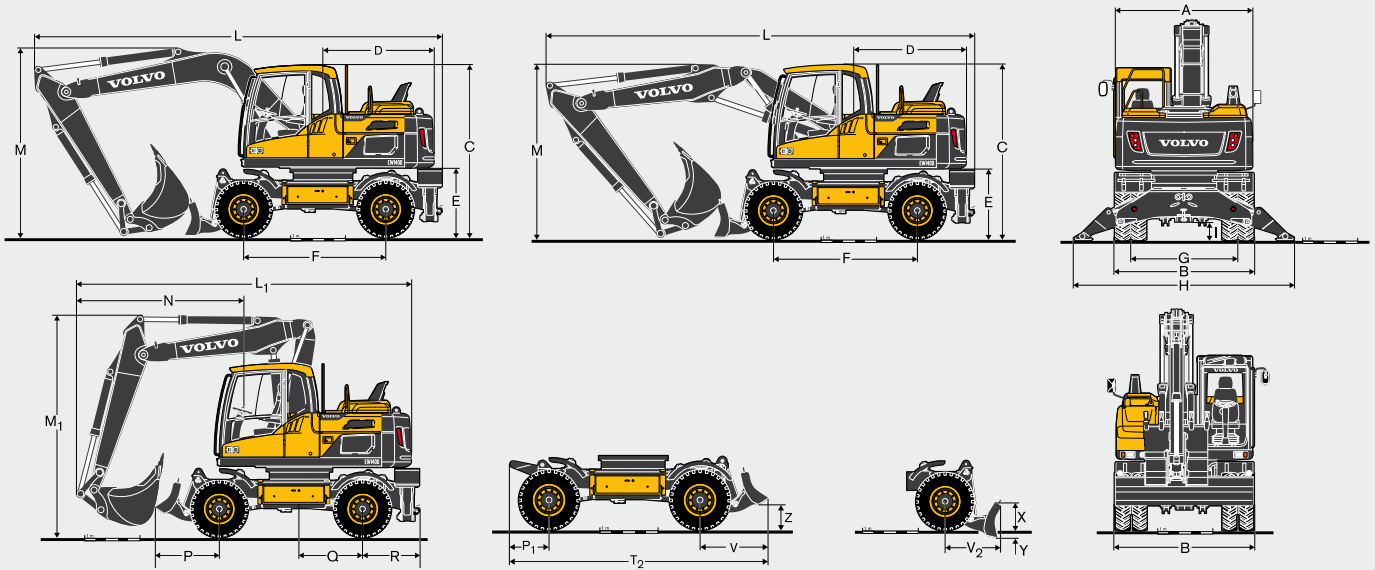
Slew system

The superstructure is slewed by the means of a radial piston motor without reduction gear.

Automatic slew holding brake and anti-rebound valve are standard.

Max slew speed	rpm	10
Max. slew torque	kNm	42.8

DIMENSIONS.



Description	Unit	Mono boom			2-piece boom			Mono offset boom		
	m	4.5			4.7			4.75		
A Overall width of superstructure	mm	2 520			2 520			2 520		
B Overall width	mm	2 540			2 540			2 540		
C Overall height of cab	mm	3 140			3 140			3 140		
D Tail slew radius	mm	2 030			2 030			2 030		
E Counterweight clearance	mm	1 250			1 250			1 250		
F Wheel base	mm	2 600			2 600			2 600		
G Tread	mm	1 940			1 940			1 940		
H Outrigger width (front or rear)	mm	3 980			3 980			3 980		
I Min. ground clearance	mm	350			350			350		

Description	Unit	Mono boom					2-piece boom				
	m	4.5					4.7				
		Arm			Grab Arm	Arm			Grab Arm		
	m	2.0	2.45	2.6	3.1	2.95*	2.0	2.45	2.6	3.1	2.95*
L Overall length	mm	7 640	7 510	7 450	7 300	7 710*	7 840	7 760	7 720	7 540	7 790*
M Overall height of boom	mm	2 900	3 320	3 440	3 700	3 250*	2 730	3 040	3 140	3 660	3 200*
L ₁ Overall length	mm						5 830	6 160	6 200	5 550**	6 880
M ₁ Overall height of boom	mm						3 990	4 000	4 000	3 980**	3 930
N Front overhang	mm						2 610	2 940	2 990	2 330**	3 500

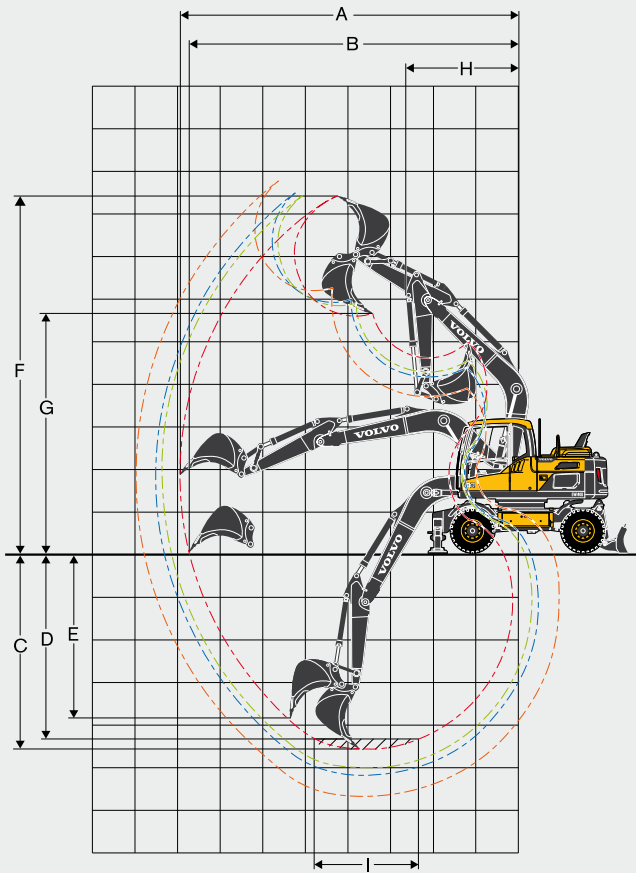
Description	Unit	Mono offset boom			
	m	4.75			
		Arm			
	m	2.0	2.45	2.6	3.1
L Overall length	mm	7 890		7 870	
M Overall height of boom	mm	2 970		3 250	

*grab arm, without clamshell bucket

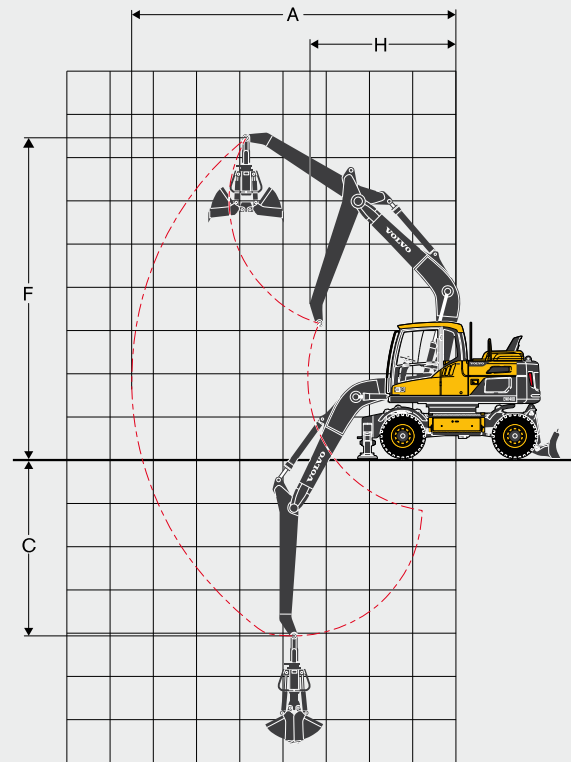
** without bucket

Description	Unit	Undercarriage dimensions
P	mm	1 150
P ₁	mm	670
Q	mm	1 150
R	mm	1 030
T	mm	4 780
T ₂	mm	4 470
V	mm	1 160
V ₂	mm	1 010
X	mm	630
Y	mm	180
Z	mm	400

WORKING RANGES & DIGGING FORCES.



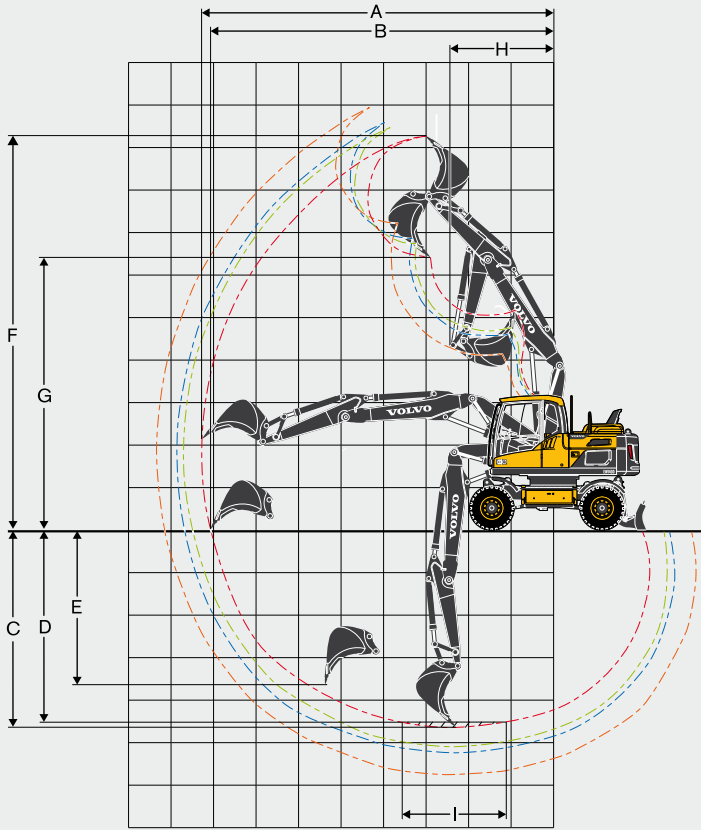
Mono boom 4.5 m and dipper arm 2.0 m, 2.45 m, 2.6 m, 3.1 m



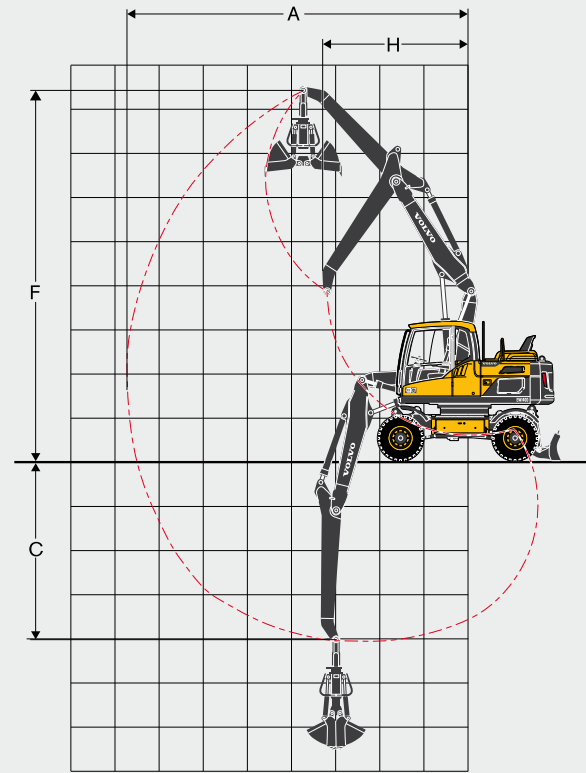
Monoboom 4.5m and grab arm 2.95 m

Description	Unit	Mono boom					
		4.5					Grab arm
		Arm				2.95	
		2.0	2.45	2.6	3.1		
A Max. digging reach	mm		7 970	8 390	8 530	9 000	7 380
B Max. digging reach on ground	mm		7 760	8 190	8 330	8 810	
C Max. digging depth	mm		4 600	5 050	5 210	5 700	4 120
D Max. digging depth (l = 2 440 mm level)	mm		4 370	4 860	5 020	5 540	
E Max. vertical wall digging depth	mm		3 870	4 300	4 430	4 920	
F Max. cutting height	mm		8 310	8 550	8 630	8 900	7 330
G Max. dumping height	mm		5 570	5 800	5 890	6 150	
H Min. front slew radius	mm		2 700	2 720	2 720	2 730	3 270
Digging forces with direct fit bucket							
Breakout force - bucket	(ISO) kN		108.5*	108.5*	108.5*	108.5*	
Tearout force	(ISO) kN		73*	63.5*	61*	53.5*	*with Power boost
Max. recommended sizes for direct fit buckets							
GP-Bucket (1.8 t/m ³)	l		730	730	730	730	
Max. recommended sizes for quick fit buckets							
S6/S60 QF GP-Bucket (1.8 t/m ³)	l		730	730	730	730	
S6 QF HD-Bucket (2.1 t/m ³)	l		520	520	520	520	
UQF GP-Bucket (1.8 t/m ³)	l		730	730	730	660	

- Note:
1. Bucket size based on SAE-J296, heaped material with a 1:1 angle of repose.
 2. "Max permitted sizes" are for reference only and are not necessarily available from the factory.
 3. Bucket recommendations with heavy counterweight.



2-piece boom 4.7 m and dipper arm 2.0 m, 2.45 m, 2.6 m, 3.1 m

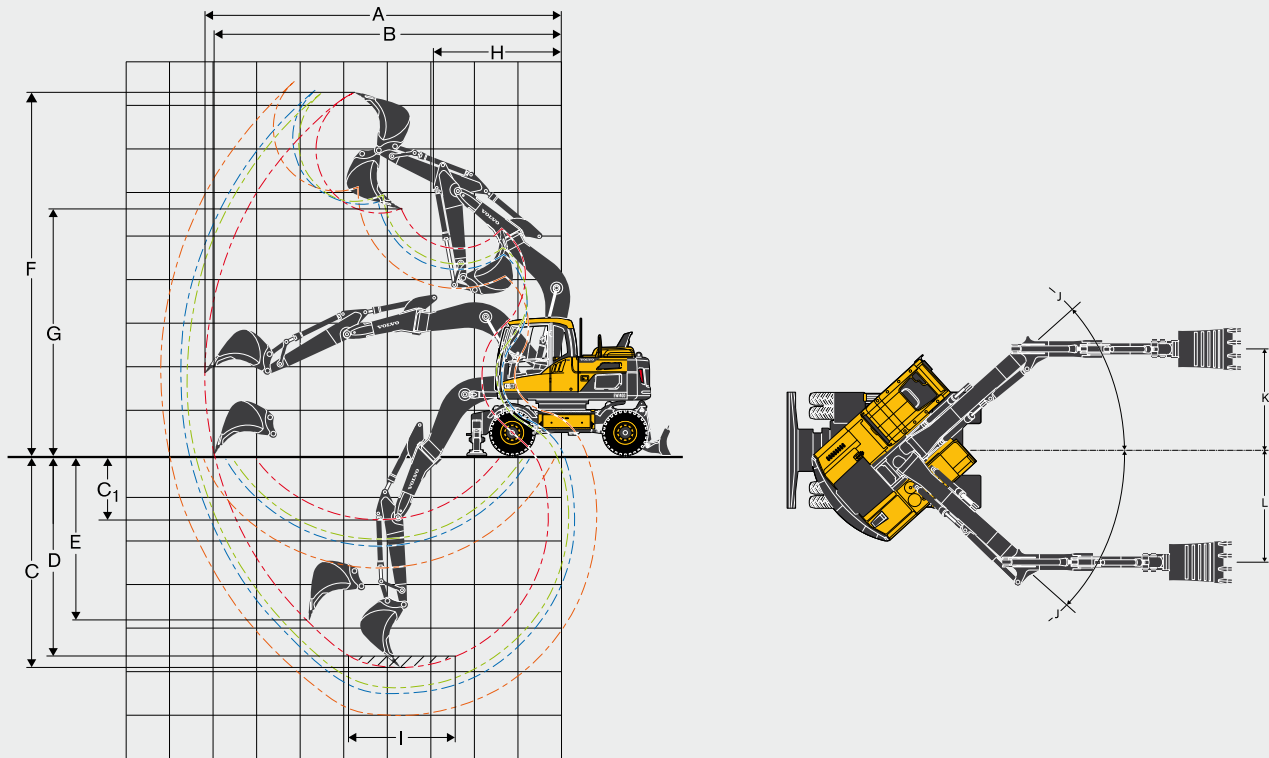


2-piece boom 4.7 m and grab arm 2.95 m

Description	Unit	2-piece boom					Grab arm
		4.7					
		Arm				2.95*	
2.0	2.45	2.6	3.1				
A Max. digging reach	mm	8 230	8 660	8 800	9 280	7 660	
B Max. digging reach on ground	mm	8 030	8 460	8 610	9 100		
C Max. digging depth	mm	4 640	5 090	5 240	5 730	4 140	
D Max. digging depth (l = 2 440 mm level)	mm	4 520	4 980	5 130	5 640		
E Max. vertical wall digging depth	mm	3 640	4 070	4 220	4 700		
F Max. cutting height	mm	9 210	9 540	9 650	10 010	8 380	
G Max. dumping height	mm	6 350	6 680	6 790	7 160		
H Min. front slew radius	mm	2 430	2 550	2 600	2 730	3 220	
Digging forces with direct fit bucket							
Breakout force - bucket	(ISO) kN	108.5*	108.5*	108.5*	108.5*		
Tearout force	(ISO) kN	73*	63.5*	61*	53.5*	*with Power boost	
Max. recommended sizes for direct fit buckets							
GP-Bucket (1.8 t/m ³)	l	730	730	730	660		
Max. recommended sizes for quick fit buckets							
S6/S60 QF GP-Bucket (1.8 t/m ³)	l	730	730	730	580		
S6 QF HD-Bucket (2.1 t/m ³)	l	520	520	520	520		
UQF GP-Bucket (1.8 t/m ³)	l	730	730	730	580		

- Note:
1. Bucket size based on SAE-J296, heaped material with a 1:1 angle of repose.
 2. "Max permitted sizes" are for reference only and are not necessarily available from the factory.
 3. Bucket recommendations with heavy counterweight.

WORKING RANGES & DIGGING FORCES.



**Mono offset boom 4.75 m and
dipper arm 2.0 m, 2.45 m, 2.6 m, 3.1 m**

Description	Unit	Mono offset boom				
		4.75				
		Arm				
		2.0	2.45	2.6	3.1	
A	Max. digging reach	mm	8 160	8 570	8 710	9 170
B	Max. digging reach on ground	mm	7 960	8 370	8 510	8 990
C	Max. digging depth	mm	4 860	5 310	5 470	5 960
C ₁	Max. digging depth at max. attachment offset with vertical trench walls	mm	1 490	1 940	2 090	2 590
D	Max. digging depth (l = 2 440 mm level)	mm	4 610	5 090	5 250	5 780
E	Max. vertical wall digging depth	mm	3 800	4 230	4 370	4 850
F	Max. cutting height	mm	8 270	8 470	8 530	8 760
G	Max. dumping height	mm	5 610	5 770	5 930	6 110
H	Min. front slew radius	mm	2 940	2 920	2 910	2 960
J			42°			
K		mm	2 200			
L		mm	2 420			
Digging forces with direct fit bucket						
Breakout force - bucket	(ISO)	kN	108.5*	108.5*	108.5*	108.5*
Tearout force	(ISO)	kN	73*	63.5*	61*	53.5*
Max. recommended sizes for direct fit buckets						
GP-Bucket (1.8 t/m ³)		l	730	730	730	660
Max. recommended sizes for quick fit buckets						
S6/S60 QF GP-Bucket (1.8 t/m ³)		l	730	730	730	580
S6 QF HD-Bucket (2.1 t/m ³)		l	520	520	520	520
UQF GP-Bucket (1.8 t/m ³)		l	730	730	660	580



Note:

1. Bucket size based on SAE-J296, heaped material with a 1:1 angle of repose.
2. "Max permitted sizes" are for reference only and are not necessarily available from the factory.
3. Bucket recommendations with heavy counterweight.

LIFTING CAPACITY.

At the arm end, without bucket and quick fit. Unit: 1 000 kg.

For lifting capacity including bucket/quick fit, simply subtract actual weight of those parts from the following values. With heavy counterweight.

 Across under-carriage  Along under-carriage	Arm end (bucket pivot) related to ground level	Reach from machine centre (u = support up/d = support down)																								Max. m		
		1.5 m				3 m				4.5 m				6 m				7.5 m				Max.						
		u	d	u	d	u	d	u	d	u	d	u	d	u	d	u	d	u	d	u	d	u	d	u	d			
4.5m mono boom 2m dipper arm Front dozer blade Rear outriggers	6 m	-	-	-	-	-	-	-	-	3.9	4.1*	4.1*	4.1*	-	-	-	-	-	-	-	-	-	-	3.3	3.4*	3.4*	3.4*	4.9
	4.5 m	-	-	-	-	-	-	-	-	3.8	4.3*	4.3*	4.3*	-	-	-	-	-	-	-	-	-	-	2.4	3.2*	3.2*	3.2*	5.9
	3 m	-	-	-	-	6.4	8.0*	8.0*	8.0*	3.6	5.2*	5.2*	5.2*	2.4	4.0	3.8	4.3*	-	-	-	-	-	-	2.1	3.3*	3.3*	3.3*	6.4
	1.5 m	-	-	-	-	-	-	-	-	3.4	6.0	5.6	6.1*	2.3	3.9	3.7	4.6*	-	-	-	-	-	-	2.0	3.4	3.2	3.6*	6.5
	0 m	-	-	-	-	5.8	7.1*	7.1*	7.1*	3.2	5.8	5.5	6.5*	2.2	3.8	3.6	4.8*	-	-	-	-	-	-	2.1	3.6	3.4	4.2*	6.3
	-1.5 m	-	-	-	-	5.8	9.1*	9.1*	9.1*	3.2	5.8	5.5	6.2*	-	-	-	-	-	-	-	-	-	-	2.4	4.2	4.0	4.7*	5.6
	-3 m	-	-	-	-	6.0	6.8*	6.8*	6.8*	-	-	-	-	-	-	-	-	-	-	-	-	-	-	3.6	4.6*	4.6*	4.6*	4.3
4.5m mono boom 2.45m dipper arm Front dozer blade Rear outriggers	6 m	-	-	-	-	-	-	-	-	-	-	-	-	-	-	-	-	-	-	-	-	-	-	2.7*	2.7*	2.7*	2.7*	5.5
	4.5 m	-	-	-	-	-	-	-	-	3.8	3.9*	3.9*	3.9*	2.4	3.7*	3.7*	3.7*	-	-	-	-	-	-	2.2	2.5*	2.5*	2.5*	6.4
	3 m	-	-	-	-	6.6	7.0*	7.0*	7.0*	3.6	4.8*	4.8*	4.8*	2.3	4.0	3.8	4.0*	-	-	-	-	-	-	1.9	2.6*	2.6*	2.6*	6.8
	1.5 m	-	-	-	-	5.9	6.7*	6.7*	6.7*	3.4	5.8*	5.6	5.8*	2.2	3.9	3.7	4.4*	-	-	-	-	-	-	1.8	2.8*	2.8*	2.8*	6.9
	0 m	-	-	-	-	5.7	7.3*	7.3*	7.3*	3.2	5.8	5.5	6.4*	2.2	3.8	3.6	4.7*	-	-	-	-	-	-	1.9	3.2	3.0	3.2*	6.7
	-1.5 m	5.9*	5.9*	5.9*	5.9*	5.7	9.6*	9.6*	9.6*	3.2	5.7	5.4	6.3*	2.2	3.8	3.6	4.4*	-	-	-	-	-	-	2.1	3.7	3.5	4.2*	6.1
	-3 m	-	-	-	-	5.8	7.7*	7.7*	7.7*	3.2	5.1*	5.1*	5.1*	-	-	-	-	-	-	-	-	-	-	2.9	4.5*	4.5*	4.5*	4.9
4.5m mono boom 2.6m dipper arm Front dozer blade Rear outriggers	6 m	-	-	-	-	-	-	-	-	-	-	-	-	-	-	-	-	-	-	-	-	-	-	2.5*	2.5*	2.5*	2.5*	5.7
	4.5 m	-	-	-	-	-	-	-	-	3.7*	3.7*	3.7*	3.7*	2.4	3.6*	3.6*	3.6*	-	-	-	-	-	-	2.1	2.4*	2.4*	2.4*	6.5
	3 m	-	-	-	-	6.7*	6.7*	6.7*	6.7*	3.6	4.7*	4.7*	4.7*	2.4	3.9*	3.8	3.9*	-	-	-	-	-	-	1.8	2.4*	2.4*	2.4*	7.0
	1.5 m	-	-	-	-	6.0	7.6*	7.6*	7.6*	3.4	5.7*	5.7	5.7*	2.2	3.9	3.7	4.4*	-	-	-	-	-	-	1.8	2.6*	2.6*	2.6*	7.1
	0 m	-	-	-	-	5.7	7.3*	7.3*	7.3*	3.2	5.8	5.5	6.4*	2.2	3.8	3.6	4.7*	-	-	-	-	-	-	1.8	3.0*	3.0	3.0*	6.8
	-1.5 m	5.6*	5.6*	5.6*	5.6*	5.7	9.7*	9.7*	9.7*	3.2	5.7	5.4	6.4*	2.1	3.7	3.5	4.5*	-	-	-	-	-	-	2.0	3.5	3.4	3.8*	6.2
	-3 m	-	-	-	-	5.8	8.0*	8.0*	8.0*	3.2	5.3*	5.3*	5.3*	-	-	-	-	-	-	-	-	-	-	2.7	4.4*	4.4*	4.4*	5.1
4.5m mono boom 3.1m dipper arm Front dozer blade Rear outriggers	6 m	-	-	-	-	-	-	-	-	-	-	-	-	2.5	2.5*	2.5*	2.5*	-	-	-	-	-	-	2.0*	2.0*	2.3*	2.0*	6.3
	4.5 m	-	-	-	-	-	-	-	-	-	-	-	-	2.5	3.2*	3.2*	3.2*	-	-	-	-	-	-	1.9	1.9*	2.0*	1.9*	7.1
	3 m	-	-	-	-	-	-	-	-	3.7	4.2*	4.2*	4.2*	2.4	3.6*	3.6*	3.6*	-	-	-	-	-	-	1.6	1.9*	2.0*	1.9*	7.5
	1.5 m	-	-	-	-	6.1	8.5*	8.5*	8.5*	3.4	5.3*	5.3*	5.3*	2.2	3.9	3.7	4.1*	1.6	2.3*	2.3*	2.3*	1.6	2.0*	1.9*	2.0*	7.6		
	0 m	2.5*	2.5*	2.5*	2.5*	5.7	7.7*	7.7*	7.7*	3.2	5.8	5.5	6.2*	2.1	3.7	3.5	4.5*	-	-	-	-	-	-	1.6	2.3*	1.9*	2.3*	7.3
	-1.5 m	4.9*	4.9*	4.9*	4.9*	5.6	9.9*	9.9*	9.9*	3.1	5.7	5.3	6.4*	2.1	3.7	3.5	4.6*	-	-	-	-	-	-	1.8	2.8*	1.9*	2.8*	6.8
	-3 m	8.0*	8.0*	8.0*	8.0*	5.7	8.7*	8.7*	8.7*	3.1	5.7	5.4	5.8*	-	-	-	-	-	-	-	-	-	-	2.3	4.0	1.6	4.1*	5.7
4.5m mono boom 2.95m grab arm Front dozer blade Rear outriggers	6 m	-	-	-	-	-	-	-	-	-	-	-	-	2.7	3.2*	3.2*	3.2*	-	-	-	-	-	-	2.7	3.2*	3.2*	3.2*	6.0
	4.5 m	-	-	-	-	-	-	-	-	-	-	-	-	2.7	3.6*	3.6*	3.6*	-	-	-	-	-	-	2.2	3.1*	3.1*	3.1*	6.9
	3 m	-	-	-	-	-	-	-	-	3.9	4.6*	4.6*	4.6*	2.6	4.0*	4.0*	4.0*	-	-	-	-	-	-	1.9	3.1*	3.0	3.1*	7.3
	1.5 m	-	-	-	-	-	-	-	-	3.7	5.8*	5.8*	5.8*	2.5	4.1	3.9	4.5*	-	-	-	-	-	-	1.9	3.0	2.9	3.4*	7.4
	0 m	-	-	-	-	6.1	7.9*	7.9*	7.9*	3.5	6.1	5.7	6.6*	2.4	4.0	3.8	4.9*	-	-	-	-	-	-	1.9	3.1	3.0	3.8*	7.1
	-1.5 m	5.4*	5.4*	5.4*	5.4*	6.0	1.3*	1.3*	1.3*	3.4	6.0	5.6	6.7*	2.4	3.9	3.8	4.9*	-	-	-	-	-	-	2.1	3.5	3.3	4.4*	6.6
	-3 m	9.3*	9.3*	9.3*	9.3*	6.1	8.9*	8.9*	8.9*	3.4	6.0*	5.7	6.0*	-	-	-	-	-	-	-	-	-	-	2.7	4.5	4.3	4.6*	5.5

Notes:

1. Working pressure with Power Boost = 36 MPa.



2. The above values are in compliance with ISO standard 10 567. They do not exceed 87 % of hydraulic lifting capacity or 75 % of tipping load, with the machine on firm, level ground.

3. Load capacities marked with an asterisk (*) are limited by machine's hydraulic lifting capacity rather than tipping load.

LIFTING CAPACITY.

At the arm end, without bucket and quick fit. Unit: 1 000 kg.

For lifting capacity including bucket/quick fit, simply subtract actual weight of those parts from the following values. With heavy counterweight.

 Across under-carriage  Along under-carriage	Arm end (bucket pivot) related to ground level	Reach from machine centre (u = support up/d = support down)																								Max. m		
		1.5 m				3 m				4.5 m				6 m				7.5 m				Max.						
		u	d	u	d	u	d	u	d	u	d	u	d	u	d	u	d	u	d	u	d	u	d	u	d			
4.5m mono boom 2m dipper arm Blade rear	6 m	-	-	-	-	-	-	-	-	3.7	4.1*	4.1*	4.1*	-	-	-	-	-	-	-	-	-	-	3.1	3.4*	3.4*	3.4*	4.9
	4.5 m	-	-	-	-	-	-	-	-	3.6	4.1	4.3*	4.3*	-	-	-	-	-	-	-	-	-	-	2.3	2.6	3.2*	3.2*	5.9
	3 m	-	-	-	-	6.1	7.1	8.0*	8.0*	3.4	3.9	5.2*	5.2*	2.2	2.5	3.6	4.3*	-	-	-	-	-	-	2.0	2.3	3.3	3.3*	6.4
	1.5 m	-	-	-	-	-	-	-	-	3.2	3.6	5.5	6.1*	2.1	2.4	3.5	4.6*	-	-	-	-	-	-	1.9	2.1	3.1	3.6*	6.5
	0 m	-	-	-	-	5.4	6.4	7.1*	7.1*	3.0	3.5	5.3	6.5*	2.1	2.4	3.5	4.8*	-	-	-	-	-	-	2.0	2.2	3.3	4.2*	6.3
	-1.5 m	-	-	-	-	5.5	6.5	9.1*	9.1*	3.0	3.5	5.3	6.2*	-	-	-	-	-	-	-	-	-	-	2.3	2.6	3.9	4.7*	5.6
	-3 m	-	-	-	-	5.6	6.6	6.8*	6.8*	-	-	-	-	-	-	-	-	-	-	-	-	-	-	3.4	3.9	4.6*	4.6*	4.3
4.5m mono boom 2.45m dipper arm Blade rear	6 m	-	-	-	-	-	-	-	-	-	-	-	-	-	-	-	-	-	-	-	-	-	2.7	2.7*	2.7*	2.7*	5.5	
	4.5 m	-	-	-	-	-	-	-	-	3.6	3.9*	3.9*	3.9*	2.3	2.6	3.7*	3.7*	-	-	-	-	-	2.0	2.3	2.5*	2.5*	6.4	
	3 m	-	-	-	-	6.3	7.0*	7.0*	7.0*	3.4	3.9	4.8*	4.8*	2.2	2.5	3.6	4.0*	-	-	-	-	-	1.8	2.0	2.6*	2.6*	6.8	
	1.5 m	-	-	-	-	5.6	6.6	6.7*	6.7*	3.2	3.6	5.5	5.8*	2.1	2.4	3.5	4.4*	-	-	-	-	-	1.7	1.9	2.8*	2.8*	6.9	
	0 m	-	-	-	-	5.4	6.3	7.3*	7.3*	3.0	3.5	5.3	6.4*	2.0	2.3	3.4	4.7*	-	-	-	-	-	1.7	2.0	2.9	3.2*	6.7	
	-1.5 m	5.9*	5.9*	5.9*	5.9*	5.4	6.3	9.6*	9.6*	3.0	3.4	5.2	6.3*	2.0	2.3	3.4	4.4*	-	-	-	-	-	2.0	2.3	3.4	4.2*	6.1	
	-3 m	-	-	-	-	5.5	6.5	7.7*	7.7*	3.0	3.5	5.1*	5.1*	-	-	-	-	-	-	-	-	-	2.7	3.1	4.5*	4.5*	4.9	
4.5m mono boom 2.6m dipper arm Blade rear	6 m	-	-	-	-	-	-	-	-	-	-	-	-	-	-	-	-	-	-	-	-	-	2.5*	2.5*	2.5*	2.5*	5.7	
	4.5 m	-	-	-	-	-	-	-	-	3.7	3.7*	3.7*	3.7*	2.3	2.6	3.6*	3.6*	-	-	-	-	-	2.0	2.2	2.4*	2.4*	6.5	
	3 m	-	-	-	-	6.3	6.7*	6.7*	6.7*	3.4	3.9	4.7*	4.7*	2.2	2.5	3.7	3.9*	-	-	-	-	-	1.7	2.0	2.4*	2.4*	7.0	
	1.5 m	-	-	-	-	5.6	6.6	7.6*	7.6*	3.2	3.7	5.5	5.7*	2.1	2.4	3.5	4.4*	-	-	-	-	-	1.6	1.9	2.6*	2.6*	7.1	
	0 m	-	-	-	-	5.4	6.3	7.3*	7.3*	3.0	3.5	5.3	6.4*	2.0	2.3	3.4	4.7*	-	-	-	-	-	1.7	1.9	2.8	3.0*	6.8	
	-1.5 m	5.6*	5.6*	5.6*	5.6*	5.3	6.3	9.7*	9.7*	3.0	3.4	5.2	6.4*	2.0	2.3	3.4	4.5*	-	-	-	-	-	1.9	2.2	3.2	3.8*	6.2	
	-3 m	-	-	-	-	5.5	6.4	8.0*	8.0*	3.0	3.5	5.3	5.3*	-	-	-	-	-	-	-	-	-	2.6	2.9	4.4	4.4*	5.1	
4.5m mono boom 3.1m dipper arm Blade rear	6 m	-	-	-	-	-	-	-	-	-	-	-	-	2.3	2.5*	2.5*	2.5*	-	-	-	-	-	2.0*	2.0*	2.3*	2.0*	6.3	
	4.5 m	-	-	-	-	-	-	-	-	-	-	-	-	2.3	2.6	3.2*	3.2*	-	-	-	-	-	1.7	1.9*	2.0*	1.9*	7.1	
	3 m	-	-	-	-	-	-	-	-	3.5	4.0	4.2*	4.2*	2.2	2.5	3.6*	3.6*	-	-	-	-	-	1.5	1.8	2.0*	1.9*	7.5	
	1.5 m	-	-	-	-	5.8	6.8	8.5*	8.5*	3.2	3.7	5.3*	5.3*	2.1	2.4	3.5	4.1*	1.5	1.7	2.3*	2.3*	1.5	1.7	1.9*	2.0*	7.6		
	0 m	2.5*	2.5*	2.5*	2.5*	5.3	6.3	7.7*	7.7*	3.0	3.5	5.3	6.2*	2.0	2.3	3.4	4.5*	-	-	-	-	-	1.5	1.7	1.7*	2.3*	7.3	
	-1.5 m	4.9*	4.9*	4.9*	4.9*	5.3	6.2	9.9*	9.9*	2.9	3.4	5.2	6.4*	1.9	2.2	3.4	4.6*	-	-	-	-	-	1.7	1.9	1.9	2.8*	6.8	
	-3 m	8.0*	8.0*	8.0*	8.0*	5.3	6.3	8.7*	8.7*	2.9	3.4	5.2	5.8*	-	-	-	-	-	-	-	-	-	2.1	2.4	1.5	4.1*	5.7	
4.5m mono boom 2.95m grab arm Blade rear	6 m	-	-	-	-	-	-	-	-	-	-	-	-	2.5	2.9	3.2*	3.2*	-	-	-	-	-	2.5	2.8	3.2*	3.2*	6.0	
	4.5 m	-	-	-	-	-	-	-	-	-	-	-	-	2.5	2.8	3.6*	3.6*	-	-	-	-	-	2.1	2.3	3.1*	3.1*	6.9	
	3 m	-	-	-	-	-	-	-	-	3.7	4.2	4.6*	4.6*	2.5	2.8	3.9	4.0*	-	-	-	-	-	1.8	2.1	2.9	3.1*	7.3	
	1.5 m	-	-	-	-	-	-	-	-	3.5	3.9	5.8*	5.8*	2.3	2.6	3.8	4.5*	-	-	-	-	-	1.8	2.0	2.8	3.4*	7.4	
	0 m	-	-	-	-	5.7	6.7	7.9*	7.9*	3.3	3.7	5.6	6.6*	2.3	2.6	3.7	4.9*	-	-	-	-	-	1.8	2.0	2.9	3.8*	7.1	
	-1.5 m	5.4*	5.4*	5.4*	5.4*	5.6	6.6	1.3*	1.3*	3.2	3.7	5.5	6.7*	2.2	2.5	3.6	4.9*	-	-	-	-	-	2.0	2.3	3.2	4.4*	6.6	
	-3 m	9.3*	9.3*	9.3*	9.3*	5.7	6.7	8.9*	8.9*	3.2	3.7	5.5	6.0*	-	-	-	-	-	-	-	-	-	2.5	2.9	4.1	4.6*	5.5	

Notes:



1. Working pressure with Power Boost = 36 MPa.

2. The above values are in compliance with ISO standard 10 567. They do not exceed 87 % of hydraulic lifting capacity or 75 % of tipping load, with the machine on firm, level ground.

3. Load capacities marked with an asterisk (*) are limited by machine's hydraulic lifting capacity rather than tipping load.

At the arm end, without bucket and quick fit. Unit: 1 000 kg.

For lifting capacity including bucket/quick fit, simply subtract actual weight of those parts from the following values. With heavy counterweight.

 Across under-carriage  Along under-carriage	Arm end (bucket pivot) related to ground level	Reach from machine centre (u = support up/d = support down)																												
		1.5 m				3 m				4.5 m				6 m				7.5 m				Max.				Max. m				
		u	d	u	d	u	d	u	d	u	d	u	d	u	d	u	d	u	d	u	d	u	d	u	d					
4.7m 2-piece boom 2m dipper arm Front dozer blade Rear outriggers	7.5 m	-	-	-	-	-	-	-	-	-	-	-	-	-	-	-	-	-	-	-	-	-	-	-	-	4.4*	4.4*	4.4*	4.4*	3.5
	6 m	-	-	-	-	-	-	-	-	3.9	4.1*	4.1*	4.1*	-	-	-	-	-	-	-	-	-	-	-	-	2.9	3.5*	3.5*	3.5*	5.3
	4.5 m	-	-	-	-	5.6*	5.6*	5.6*	5.6*	3.8	4.4*	4.4*	4.4*	2.4	4.0	3.8	4.0*	-	-	-	-	-	-	-	-	2.2	3.2*	3.2*	3.2*	6.2
	3 m	-	-	-	-	-	-	-	-	3.5	5.3*	5.3*	5.3*	2.3	3.9	3.7	4.2*	-	-	-	-	-	-	-	-	1.9	3.2*	3.1	3.2*	6.7
	1.5 m	-	-	-	-	-	-	-	-	3.2	5.8	5.5	6.1*	2.2	3.8	3.6	4.5*	-	-	-	-	-	-	-	-	1.8	3.1	3.0	3.4*	6.8
	0 m	-	-	-	-	5.0*	5.0*	5.0*	5.0*	3.1	5.6	5.4	6.3*	2.1	3.7	3.5	4.6*	-	-	-	-	-	-	-	-	1.9	3.3	3.1	3.9*	6.5
	-1.5 m	-	-	-	-	5.6	8.5*	8.5*	8.5*	3.1	5.6	5.4	5.9*	-	-	-	-	-	-	-	-	-	-	-	-	2.2	3.8	3.6	4.1*	5.9
	-3 m	-	-	-	-	-	-	-	-	-	-	-	-	-	-	-	-	-	-	-	-	-	-	-	-	-	-	-	-	-
4.7m 2-piece boom 2.45m dipper arm Front dozer blade Rear outriggers	7.5 m	-	-	-	-	-	-	-	-	-	-	-	-	-	-	-	-	-	-	-	-	-	-	-	-	3.3*	3.3*	3.3*	3.3*	4.3
	6 m	-	-	-	-	-	-	-	-	3.6*	3.6*	3.6*	3.6*	-	-	-	-	-	-	-	-	-	-	-	-	2.5	2.7*	2.7*	2.7*	5.8
	4.5 m	-	-	-	-	-	-	-	-	3.8	4.0*	4.0*	4.0*	2.4	3.7*	3.7*	3.7*	-	-	-	-	-	-	-	-	2.0	2.5*	2.5*	2.5*	6.7
	3 m	-	-	-	-	6.4	7.4*	7.4*	7.4*	3.5	4.9*	4.9*	4.9*	2.3	3.9	3.7	4.0*	-	-	-	-	-	-	-	-	1.7	2.6*	2.6*	2.6*	7.1
	1.5 m	-	-	-	-	-	-	-	-	3.2	5.8	5.5	5.8*	2.2	3.7	3.6	4.4*	-	-	-	-	-	-	-	-	1.6	2.7*	2.7*	2.7*	7.2
	0 m	-	-	-	-	5.4*	5.4*	5.4*	5.4*	3.1	5.6	5.3	6.3*	2.1	3.6	3.5	4.6*	-	-	-	-	-	-	-	-	1.7	2.9	2.8	3.0*	7.0
	-1.5 m	-	-	-	-	5.5	9.0*	9.0*	9.0*	3.0	5.5	5.3	6.1*	2.0	3.6	3.5	4.3*	-	-	-	-	-	-	-	-	1.9	3.3	3.2	3.7*	6.4
	-3 m	-	-	-	-	-	-	-	-	-	-	-	-	-	-	-	-	-	-	-	-	-	-	-	-	-	-	-	-	-
4.7m 2-piece boom 2.6m dipper arm Front dozer blade Rear outriggers	7.5 m	-	-	-	-	-	-	-	-	3.1*	3.1*	3.1*	3.1*	-	-	-	-	-	-	-	-	-	-	-	-	3.0*	3.0*	3.0*	3.0*	4.5
	6 m	-	-	-	-	-	-	-	-	3.5*	3.5*	3.5*	3.5*	2.4	2.6*	2.6*	2.6*	-	-	-	-	-	-	-	-	2.4	2.5*	2.5*	2.5*	6.0
	4.5 m	-	-	-	-	-	-	-	-	3.8	3.9*	3.9*	3.9*	2.4	3.6*	3.6*	3.6*	-	-	-	-	-	-	-	-	1.9	2.4*	2.4*	2.4*	6.8
	3 m	-	-	-	-	6.5	7.1*	7.1*	7.1*	3.6	4.8*	4.8*	4.8*	2.3	3.9	3.7	3.9*	-	-	-	-	-	-	-	-	1.7	2.4*	2.4*	2.4*	7.3
	1.5 m	-	-	-	-	-	-	-	-	3.3	5.7*	5.6	5.7*	2.2	3.8	3.6	4.3*	-	-	-	-	-	-	-	-	1.6	2.5*	2.5*	2.5*	7.4
	0 m	-	-	-	-	5.5	5.5*	5.5*	5.5*	3.1	5.6	5.3	6.2*	2.1	3.6	3.5	4.5*	-	-	-	-	-	-	-	-	1.6	2.8*	2.7	2.8*	7.1
	-1.5 m	-	-	-	-	5.4	9.0*	9.0*	9.0*	3.0	5.5	5.3	6.1*	2.0	3.6	3.5	4.4*	-	-	-	-	-	-	-	-	1.8	3.2	3.1	3.4*	6.5
	-3 m	-	-	-	-	-	-	-	-	-	-	-	-	-	-	-	-	-	-	-	-	-	-	-	-	-	-	-	-	-
4.7m 2-piece boom 3.1m dipper arm Front dozer blade Rear outriggers	7.5 m	-	-	-	-	-	-	-	-	3.2*	3.2*	3.2*	3.2*	-	-	-	-	-	-	-	-	-	-	-	-	2.3*	2.3*	2.3*	2.3*	5.3
	6 m	-	-	-	-	-	-	-	-	-	-	-	-	2.5	3.0*	3.0*	3.0*	-	-	-	-	-	-	-	-	2.0*	2.0*	2.3*	2.0*	6.6
	4.5 m	-	-	-	-	-	-	-	-	3.4*	3.4*	3.4*	3.4*	2.4	3.2*	3.2*	3.2*	-	-	-	-	-	-	-	-	1.7	1.9*	2.0*	1.9*	7.4
	3 m	-	-	-	-	6.0*	6.0*	6.0*	6.0*	3.6	4.3*	4.3*	4.3*	2.3	3.6*	3.6*	3.6*	1.6	2.7*	2.6	2.7*	1.5	1.9*	2.0*	1.9*	1.5	1.9*	2.0*	1.9*	7.8
	1.5 m	-	-	-	-	5.9	7.3*	7.3*	7.3*	3.3	5.4*	5.4*	5.4*	2.2	3.8	3.6	4.1*	1.5	2.7	2.6	3.2*	1.4	2.0*	1.9*	2.0*	1.4	2.0*	1.9*	2.0*	7.8
	0 m	-	-	-	-	5.4	5.8*	5.8*	5.8*	3.1	5.6	5.3	6.1*	2.0	3.6	3.5	4.4*	1.5	2.6	2.5	2.8*	1.4	2.2*	1.7*	2.2*	1.4	2.2*	1.7*	2.2*	7.6
	-1.5 m	-	-	-	-	5.3	8.1*	8.1*	8.1*	2.9	5.5	5.2	6.2*	2.0	3.6	3.4	4.4*	-	-	-	-	-	-	-	-	1.6	2.6*	1.9*	2.6*	7.1
	-3 m	-	-	-	-	5.4	8.2*	8.2*	8.2*	3.0	5.5*	5.2	5.5*	2.0	3.6	3.4	3.7*	-	-	-	-	-	-	-	-	2.0	3.6	1.5	3.6*	6.0
4.7m 2-piece boom 2.95m grab arm Front dozer blade Rear outriggers	7.5 m	-	-	-	-	-	-	-	-	3.6*	3.6*	3.6*	3.6*	-	-	-	-	-	-	-	-	-	-	-	-	3.5	3.6*	3.6*	3.6*	5.0
	6 m	-	-	-	-	-	-	-	-	3.4*	3.4*	3.4*	3.4*	2.7	3.5*	3.5*	3.5*	-	-	-	-	-	-	-	-	2.4	3.2*	3.2*	3.2*	6.4
	4.5 m	-	-	-	-	-	-	-	-	3.8*	3.8*	3.8*	3.8*	2.7	3.6*	3.6*	3.6*	-	-	-	-	-	-	-	-	2.0	3.1*	3.1*	3.1*	7.2
	3 m	-	-	-	-	-	-	-	-	3.9	4.8*	4.8*	4.8*	2.5	4.0*	4.0*	4.0*	1.8	2.9	2.8	3.4*	1.8	2.9	2.8	3.1*	1.8	2.9	2.8	3.1*	7.6
	1.5 m	-	-	-	-	-	-	-	-	3.6	5.8*	5.8*	5.8*	2.4	4.0	3.8	4.4*	1.8	2.9	2.8	3.8*	1.7	2.8	2.7	3.3*	1.7	2.8	2.7	3.3*	7.7
	0 m	-	-	-	-	-	-	-	-	3.3	5.9	5.6	6.5*	2.3	3.9	3.7	4.8*	-	-	-	-	-	-	-	-	1.7	2.9	2.8	3.6*	7.4
	-1.5 m	-	-	-	-	5.7	8.9*	8.9*	8.9*	3.3	5.8	5.5	6.5*	2.3	3.8	3.7	4.7*	-	-	-	-	-	-	-	-	1.9	3.2	3.1	3.9*	6.9
	-3 m	-	-	-	-	-	-	-	-	3.3	5.7*	5.6	5.7*	-	-	-	-	-	-	-	-	-	-	-	-	2.4	4.1	3.9	4.2*	5.7

Notes:

1. Working pressure with Power Boost = 36 MPa.



2. The above values are in compliance with ISO standard 10 567. They do not exceed 87 % of hydraulic lifting capacity or 75 % of tipping load, with the machine on firm, level ground.

3. Load capacities marked with an asterisk (*) are limited by machine's hydraulic lifting capacity rather than tipping load.

LIFTING CAPACITY.

At the arm end, without bucket and quick fit. Unit: 1 000 kg.

For lifting capacity including bucket/quick fit, simply subtract actual weight of those parts from the following values. With heavy counterweight.



 Across under-carriage  Along under-carriage	Arm end (bucket pivot) related to ground level	Reach from machine centre (u = support up/d = support down)																											
		1.5 m		3 m				4.5 m				6 m				7.5 m				Max.				Max. m					
		u	d	u	d	u	d	u	d	u	d	u	d	u	d	u	d	u	d	u	d	u	d		u	d			
4.7m 2-piece boom 2m dipper arm Blade rear	7.5 m	-	-	-	-	-	-	-	-	-	-	-	-	-	-	-	-	-	-	-	-	-	-	-	4.4*	4.4*	4.4*	4.4*	3.5
	6 m	-	-	-	-	-	-	-	-	3.7	4.1*	4.1*	4.1*	-	-	-	-	-	-	-	-	-	-	-	2.8	3.1	3.5*	3.5*	5.3
	4.5 m	-	-	-	-	5.6*	5.6*	5.6*	5.6*	3.6	4.0	4.4*	4.4*	2.2	2.5	3.7	4.0*	-	-	-	-	-	-	-	2.1	2.3	3.2*	3.2*	6.2
	3 m	-	-	-	-	-	-	-	-	3.3	3.7	5.3*	5.3*	2.1	2.4	3.6	4.2*	-	-	-	-	-	-	-	1.8	2.0	3.0	3.2*	6.7
	1.5 m	-	-	-	-	-	-	-	-	3.0	3.5	5.3	6.1*	2.0	2.3	3.5	4.5*	-	-	-	-	-	-	-	1.7	1.9	2.9	3.4*	6.8
	0 m	-	-	-	-	5.0*	5.0*	5.0*	5.0*	2.9	3.3	5.2	6.3*	2.0	2.2	3.4	4.6*	-	-	-	-	-	-	-	1.8	2.0	3.0	3.9*	6.5
	-1.5 m	-	-	-	-	5.2	6.1	8.5*	8.5*	2.9	3.3	5.2	5.9*	-	-	-	-	-	-	-	-	-	-	-	2.0	2.3	3.5	4.1*	5.9
	-3 m	-	-	-	-	-	-	-	-	-	-	-	-	-	-	-	-	-	-	-	-	-	-	-	-	-	-	-	-
4.7m 2-piece boom 2.45m dipper arm Blade rear	7.5 m	-	-	-	-	-	-	-	-	-	-	-	-	-	-	-	-	-	-	-	-	-	-	-	3.3*	3.3*	3.3*	3.3*	4.3
	6 m	-	-	-	-	-	-	-	-	3.6*	3.6*	3.6*	3.6*	-	-	-	-	-	-	-	-	-	-	-	2.4	2.7	2.7*	2.7*	5.8
	4.5 m	-	-	-	-	-	-	-	-	3.6	4.0*	4.0*	4.0*	2.3	2.5	3.7*	3.7*	-	-	-	-	-	-	-	1.8	2.1	2.5*	2.5*	6.7
	3 m	-	-	-	-	6.1	7.0	7.4*	7.4*	3.3	3.8	4.9*	4.9*	2.1	2.4	3.6	4.0*	-	-	-	-	-	-	-	1.6	1.8	2.6*	2.6*	7.1
	1.5 m	-	-	-	-	-	-	-	-	3.0	3.5	5.4	5.8*	2.0	2.3	3.5	4.4*	-	-	-	-	-	-	-	1.5	1.7	2.6	2.7*	7.2
	0 m	-	-	-	-	5.1	5.4*	5.4*	5.4*	2.9	3.3	5.2	6.3*	1.9	2.2	3.4	4.6*	-	-	-	-	-	-	-	1.6	1.8	2.7	3.0*	7.0
	-1.5 m	-	-	-	-	5.1	6.0	9.0*	9.0*	2.8	3.2	5.1	6.1*	1.9	2.2	3.3	4.3*	-	-	-	-	-	-	-	1.8	2.0	3.1	3.7*	6.4
	-3 m	-	-	-	-	-	-	-	-	-	-	-	-	-	-	-	-	-	-	-	-	-	-	-	-	-	-	-	-
4.7m 2-piece boom 2.6m dipper arm Blade rear	7.5 m	-	-	-	-	-	-	-	-	3.1*	3.1*	3.1*	3.1*	-	-	-	-	-	-	-	-	-	-	-	3.0*	3.0*	3.0*	3.0*	4.5
	6 m	-	-	-	-	-	-	-	-	3.5*	3.5*	3.5*	3.5*	2.3	2.6	2.6*	2.6*	-	-	-	-	-	-	-	2.3	2.5*	2.5*	2.5*	6.0
	4.5 m	-	-	-	-	-	-	-	-	3.6	3.9*	3.9*	3.9*	2.3	2.5	3.6*	3.6*	-	-	-	-	-	-	-	1.8	2.0	2.4*	2.4*	6.8
	3 m	-	-	-	-	6.2	7.1*	7.1*	7.1*	3.4	3.8	4.8*	4.8*	2.2	2.4	3.6	3.9*	-	-	-	-	-	-	-	1.6	1.8	2.4*	2.4*	7.3
	1.5 m	-	-	-	-	-	-	-	-	3.1	3.5	5.4	5.7*	2.0	2.3	3.5	4.3*	-	-	-	-	-	-	-	1.5	1.7	2.5*	2.5*	7.4
	0 m	-	-	-	-	5.1	5.5*	5.5*	5.5*	2.9	3.3	5.2	6.2*	1.9	2.2	3.4	4.5*	-	-	-	-	-	-	-	1.5	1.7	2.6	2.8*	7.1
	-1.5 m	-	-	-	-	5.1	6.0	9.0*	9.0*	2.8	3.2	5.1	6.1*	1.9	2.2	3.3	4.4*	-	-	-	-	-	-	-	1.7	1.9	3.0	3.4*	6.5
	-3 m	-	-	-	-	-	-	-	-	-	-	-	-	-	-	-	-	-	-	-	-	-	-	-	-	-	-	-	-
4.7m 2-piece boom 3.1m dipper arm Blade rear	7.5 m	-	-	-	-	-	-	-	-	3.2*	3.2*	3.2*	3.2*	-	-	-	-	-	-	-	-	-	-	-	2.3*	2.3*	2.3*	2.3*	5.3
	6 m	-	-	-	-	-	-	-	-	-	-	-	-	2.3	2.6	3.0*	3.0*	-	-	-	-	-	-	-	1.9	2.0*	2.3*	2.0*	6.6
	4.5 m	-	-	-	-	-	-	-	-	3.4*	3.4*	3.4*	3.4*	2.3	2.6	3.2*	3.2*	-	-	-	-	-	-	-	1.6	1.8	2.0*	1.9*	7.4
	3 m	-	-	-	-	6.0*	6.0*	6.0*	6.0*	3.4	3.9	4.3*	4.3*	2.2	2.5	3.6*	3.6*	1.5	1.7	2.5	2.7*	1.4	1.6	1.9*	1.9*	1.9*	1.9*	7.8	
	1.5 m	-	-	-	-	5.5	6.4	7.3*	7.3*	3.1	3.5	5.4*	5.4*	2.0	2.3	3.5	4.1*	1.4	1.6	2.5	3.2*	1.3	1.5	1.9*	1.5	1.9*	2.0*	7.8	
	0 m	-	-	-	-	5.1	5.8*	5.8*	5.8*	2.9	3.3	5.2	6.1*	1.9	2.2	3.3	4.4*	1.4	1.6	2.4	2.8*	1.3	1.5	1.6*	1.6*	2.2*	2.2*	7.6	
	-1.5 m	-	-	-	-	5.0	5.9	8.1*	8.1*	2.7	3.2	5.0	6.2*	1.8	2.1	3.3	4.4*	-	-	-	-	-	-	-	1.5	1.7	1.9	2.6*	7.1
	-3 m	-	-	-	-	5.1	6.0	8.2*	8.2*	2.8	3.2	5.1	5.5*	1.9	2.2	3.3	3.7*	-	-	-	-	-	-	-	1.9	2.1	1.4	3.6*	6.0
4.7m 2-piece boom 2.95m Grab arm Blade rear	7.5 m	-	-	-	-	-	-	-	-	3.6*	3.6*	3.6*	3.6*	-	-	-	-	-	-	-	-	-	-	-	3.3	3.6*	3.6*	3.6*	5.0
	6 m	-	-	-	-	-	-	-	-	3.4*	3.4*	3.4*	3.4*	2.5	2.8	3.5*	3.5*	-	-	-	-	-	-	-	2.3	2.5	3.2*	3.2*	6.4
	4.5 m	-	-	-	-	-	-	-	-	3.8*	3.8*	3.8*	3.8*	2.5	2.8	3.6*	3.6*	-	-	-	-	-	-	-	1.9	2.1	3.0	3.1*	7.2
	3 m	-	-	-	-	-	-	-	-	3.7	4.1	4.8*	4.8*	2.4	2.7	3.9	4.0*	1.7	1.9	2.7	3.4*	1.7	1.9	2.7	1.7	1.9	2.7	3.1*	7.6
	1.5 m	-	-	-	-	-	-	-	-	3.4	3.8	5.7	5.8*	2.3	2.5	3.7	4.4*	1.7	1.8	2.7	3.8*	1.6	1.8	2.7	1.6	1.8	2.6	3.3*	7.7
	0 m	-	-	-	-	-	-	-	-	3.1	3.6	5.4	6.5*	2.2	2.4	3.6	4.8*	-	-	-	-	-	-	-	1.6	1.8	2.7	3.6*	7.4
	-1.5 m	-	-	-	-	5.4	6.3	8.9*	8.9*	3.1	3.5	5.3	6.5*	2.1	2.4	3.5	4.7*	-	-	-	-	-	-	-	1.8	2.0	3.0	3.9*	6.9
	-3 m	-	-	-	-	-	-	-	-	3.1	3.5	5.4	5.7*	-	-	-	-	-	-	-	-	-	-	-	2.3	2.6	3.8	4.2*	5.7

Notes:

- Working pressure with Power Boost = 36 MPa.
- The above values are in compliance with ISO standard 10 567. They do not exceed 87 % of hydraulic lifting capacity or 75 % of tipping load, with the machine on firm, level ground.
- Load capacities marked with an asterisk (*) are limited by machine's hydraulic lifting capacity rather than tipping load.

At the arm end, without bucket and quick fit. Unit: 1 000 kg.

For lifting capacity including bucket/quick fit, simply subtract actual weight of those parts from the following values. With heavy counterweight.

 Across under-carriage  Along under-carriage	Arm end (bucket pivot) related to ground level	Reach from machine centre (u = support up/d = support down)																								Max. m
		1.5 m				3 m				4.5 m				6 m				7.5 m				Max.				
		u	d	u	d	u	d	u	d	u	d	u	d	u	d	u	d	u	d	u	d	u	d	u	d	
4.75m mono offset boom 2m dipper arm Blade rear	6 m	-	-	-	-	-	-	-	-	3.7	3.7*	3.7*	3.7*	-	-	-	-	-	-	-	-	2.8	3.2	3.3*	3.3*	5.2
	4.5 m	-	-	-	-	-	-	-	-	3.5	4.0	4.1*	4.1*	2.2	2.5	3.7	3.7*	-	-	-	-	2.1	2.4	3.2*	3.2*	6.2
	3 m	-	-	-	-	-	-	-	-	3.2	3.7	5.0*	5.0*	2.1	2.4	3.5	4.0*	-	-	-	-	1.8	2.0	3.0	3.3*	6.6
	1.5 m	-	-	-	-	-	-	-	-	2.9	3.4	5.2	5.8*	1.9	2.3	3.4	4.3*	-	-	-	-	1.6	1.9	2.9	3.6*	6.7
	0 m	-	-	-	-	4.9	5.9	5.9*	5.9*	2.7	3.2	5.0	6.2*	1.9	2.2	3.3	4.5*	-	-	-	-	1.7	1.9	3.0	4.1*	6.5
	-1.5 m	-	-	-	-	4.9	5.9	8.5*	8.5*	2.7	3.2	5.0	5.9*	-	-	-	-	-	-	-	-	1.9	2.2	3.4	4.3*	5.8
	-3 m	-	-	-	-	5.1	6.1	6.7*	6.7*	2.8	3.3	4.5*	4.5*	-	-	-	-	-	-	-	-	2.8	3.2	4.4*	4.4*	4.6
4.75m mono offset boom 2.45m dipper arm Blade rear	6 m	-	-	-	-	-	-	-	-	-	-	-	-	-	-	-	-	-	-	-	-	2.4	2.6*	2.6*	2.6*	5.7
	4.5 m	-	-	-	-	-	-	-	-	3.6	3.7*	3.7*	3.7*	2.2	2.5	3.4*	3.4*	-	-	-	-	1.8	2.1	2.5*	2.5*	6.6
	3 m	-	-	-	-	6.0	7.0*	7.0*	7.0*	3.3	3.8	4.6*	4.6*	2.1	2.4	3.6	3.7*	-	-	-	-	1.6	1.8	2.6*	2.6*	7.0
	1.5 m	-	-	-	-	4.9*	4.9*	4.9*	4.9*	2.9	3.4	5.3	5.5*	1.9	2.2	3.4	4.1*	-	-	-	-	1.5	1.7	2.6	2.8*	7.1
	0 m	-	-	-	-	4.8	5.8	6.2*	6.2*	2.7	3.2	5.0	6.0*	1.8	2.1	3.3	4.4*	-	-	-	-	1.5	1.7	2.7	3.3*	6.9
	-1.5 m	5.6*	5.6*	5.6*	5.6*	4.8	5.8	8.9*	8.9*	2.6	3.1	4.9	6.0*	1.8	2.1	3.2	4.3*	-	-	-	-	1.7	2.0	3.0	4.0*	6.3
	-3 m	-	-	-	-	5.0	5.9	7.4*	7.4*	2.7	3.2	5.0	5.1*	-	-	-	-	-	-	-	-	2.3	2.6	4.1	4.2*	5.2
4.75m mono offset boom 2.6m dipper arm Blade rear	6 m	-	-	-	-	-	-	-	-	-	-	-	-	-	-	-	-	-	-	-	-	2.3	2.4*	2.4*	2.4*	5.9
	4.5 m	-	-	-	-	-	-	-	-	3.6*	3.6*	3.6*	3.6*	2.2	2.6	3.3*	3.3*	-	-	-	-	1.8	2.1	2.3*	2.3*	6.7
	3 m	-	-	-	-	6.1	6.7*	6.7*	6.7*	3.3	3.8	4.5*	4.5*	2.1	2.4	3.6	3.7*	-	-	-	-	1.5	1.8	2.4*	2.4*	7.2
	1.5 m	-	-	-	-	5.1	5.6*	5.6*	5.6*	3.0	3.4	5.3	5.4*	1.9	2.3	3.4	4.1*	-	-	-	-	1.4	1.7	2.5	2.6*	7.3
	0 m	-	-	-	-	4.8	5.8	6.3*	6.3*	2.7	3.2	5.0	6.0*	1.8	2.1	3.3	4.4*	-	-	-	-	1.4	1.7	2.6	3.1*	7.0
	-1.5 m	5.4*	5.4*	5.4*	5.4*	4.8	5.8	9.1*	9.1*	2.6	3.1	4.9	6.0*	1.8	2.1	3.2	4.3*	-	-	-	-	1.6	1.9	2.9	3.9*	6.4
	-3 m	-	-	-	-	4.9	5.9	7.7*	7.7*	2.7	3.2	5.0	5.2*	-	-	-	-	-	-	-	-	2.1	2.5	3.9	4.1*	5.4
4.75m mono offset boom 3.1m dipper arm Blade rear	6 m	-	-	-	-	-	-	-	-	-	-	-	-	2.3	2.7*	2.7*	2.7*	-	-	-	-	1.9*	1.9*	1.9*	1.9*	6.5
	4.5 m	-	-	-	-	-	-	-	-	-	-	-	-	2.3	3.0*	3.0*	3.0*	-	-	-	-	1.6	1.9*	1.9*	1.9*	7.2
	3 m	-	-	-	-	5.6*	5.6*	5.6*	5.6*	3.4	4.0*	4.0*	4.0*	2.1	3.4*	3.4*	3.4*	1.4	2.4*	2.4*	2.4*	1.4	1.9*	1.9*	1.9*	7.6
	1.5 m	-	-	-	-	5.3	8.3*	8.3*	8.3*	3.0	5.1*	5.1*	5.1*	2.0	3.7	3.4	3.9*	1.3	2.6	2.4	2.9*	1.3	2.1*	1.6*	2.1*	7.7
	0 m	-	-	-	-	4.8	6.6*	6.6*	6.6*	2.7	5.5	5.0	5.8*	1.8	3.6	3.3	4.2*	1.3	2.4*	2.3	2.4*	1.3	2.4*	1.9	2.4*	7.5
	-1.5 m	4.7*	4.7*	4.7*	4.7*	4.7	8.7*	8.7*	8.7*	2.6	5.4	4.9	6.0*	1.7	3.5	3.2	4.3*	-	-	-	-	1.4	2.8	1.4	2.9*	7.0
	-3 m	7.5*	7.5*	7.5*	7.5*	4.8	8.3*	8.3*	8.3*	2.6	5.4	4.9	5.5*	-	-	-	-	-	-	-	-	1.8	3.5	2.1	3.8*	6.0
4.75m mono offset boom 2.95m grab arm Blade rear	6 m	-	-	-	-	-	-	-	-	-	-	-	-	2.5	2.9	3.2*	3.2*	-	-	-	-	2.4	2.7	3.1*	3.1*	6.2
	4.5 m	-	-	-	-	-	-	-	-	-	-	-	-	2.5	2.8	3.3*	3.3*	-	-	-	-	1.9	2.1	3.1	3.1*	7.0
	3 m	-	-	-	-	-	-	-	-	3.6	4.1	4.5*	4.5*	2.4	2.7	3.7*	3.7*	-	-	-	-	1.7	1.9	2.7	3.2*	7.4
	1.5 m	-	-	-	-	-	-	-	-	3.3	3.7	5.5*	5.5*	2.2	2.5	3.7	4.2*	1.6	1.8	2.6	3.6*	1.6	1.8	2.6	3.4*	7.5
	0 m	-	-	-	-	5.2	6.2	6.8*	6.8*	3.0	3.5	5.3	6.2*	2.1	2.4	3.5	4.6*	-	-	-	-	1.6	1.8	2.7	3.8*	7.3
	-1.5 m	5.2*	5.2*	5.2*	5.2*	5.1	6.1	9.6*	9.6*	2.9	3.4	5.2	6.3*	2.0	2.3	3.4	4.6*	-	-	-	-	1.7	2.0	2.9	4.0*	6.7
	-3 m	8.7*	8.7*	8.7*	8.7*	5.2	6.1	8.5*	8.5*	2.9	3.4	5.2	5.8*	-	-	-	-	-	-	-	-	2.1	2.5	3.7	4.3*	5.7



Notes:

- Working pressure with Power Boost = 36 MPa.
- The above values are in compliance with ISO standard 10 567. They do not exceed 87 % of hydraulic lifting capacity or 75 % of tipping load, with the machine on firm, level ground.
- Load capacities marked with an asterisk (*) are limited by machine's hydraulic lifting capacity rather than tipping load.

LIFTING CAPACITY.

At the arm end, without bucket and quick fit. Unit: 1 000 kg.

For lifting capacity including bucket/quick fit, simply subtract actual weight of those parts from the following values. With heavy counterweight.

 Across under-carriage  Along under-carriage	Arm end (bucket pivot) related to ground level	Reach from machine centre (u = support up/d = support down)																								Max. m		
		1.5 m		3 m		4.5 m		6 m		7.5 m		Max.																
		u	d	u	d	u	d	u	d	u	d	u	d	u	d	u	d	u	d	u	d	u	d					
4.75m mono offset boom 2m dipper arm Front dozer blade Rear outriggers	6 m	-	-	-	-	-	-	-	-	3.7*	3.7*	3.7*	3.7*	-	-	-	-	-	-	-	-	-	-	3.0	3.3*	3.3*	3.3*	5.2
	4.5 m	-	-	-	-	-	-	-	-	3.7	4.1*	4.1*	4.1*	2.3	3.7*	3.7*	3.7*	-	-	-	-	-	-	2.2	3.2*	3.2*	3.2*	6.2
	3 m	-	-	-	-	-	-	-	-	3.4	5.0*	5.0*	5.0*	2.2	3.9	3.7	4.0*	-	-	-	-	-	-	1.9	3.3	3.1	3.3*	6.6
	1.5 m	-	-	-	-	-	-	-	-	3.1	5.7	5.4	5.8*	2.1	3.7	3.5	4.3*	-	-	-	-	-	-	1.8	3.1	3.0	3.6*	6.7
	0 m	-	-	-	-	5.2	5.9*	5.9*	5.9*	2.9	5.5	5.2	6.2*	2.0	3.6	3.4	4.5*	-	-	-	-	-	-	1.8	3.2	3.1	4.1*	6.5
	-1.5 m	-	-	-	-	5.3	8.5*	8.5*	8.5*	2.9	5.5	5.2	5.9*	-	-	-	-	-	-	-	-	-	-	2.1	3.8	3.6	4.3*	5.8
	-3 m	-	-	-	-	5.5	6.7*	6.7*	6.7*	3.0	4.5*	4.5*	4.5*	-	-	-	-	-	-	-	-	-	-	3.0	4.4*	4.4*	4.4*	4.6
4.75m mono offset boom 2.45m dipper arm Front dozer blade Rear outriggers	6 m	-	-	-	-	-	-	-	-	-	-	-	-	-	-	-	-	-	-	-	-	-	-	2.6	2.6*	2.6*	2.6*	5.7
	4.5 m	-	-	-	-	-	-	-	-	3.7*	3.7*	3.7*	3.7*	2.4	3.4*	3.4*	3.4*	-	-	-	-	-	-	2.0	2.5*	2.5*	2.5*	6.6
	3 m	-	-	-	-	6.3	7.0*	7.0*	7.0*	3.5	4.6*	4.6*	4.6*	2.2	3.7*	3.7	3.7*	-	-	-	-	-	-	1.7	2.6*	2.6*	2.6*	7.0
	1.5 m	-	-	-	-	4.9*	4.9*	4.9*	4.9*	3.1	5.5*	5.4	5.5*	2.1	3.7	3.5	4.1*	-	-	-	-	-	-	1.6	2.8	2.7	2.8*	7.1
	0 m	-	-	-	-	5.2	6.2*	6.2*	6.2*	2.9	5.5	5.2	6.0*	2.0	3.6	3.4	4.4*	-	-	-	-	-	-	1.6	2.9	2.8	3.3*	6.9
	-1.5 m	5.6*	5.6*	5.6*	5.6*	5.2	8.9*	8.9*	8.9*	2.8	5.4	5.1	6.0*	1.9	3.5	3.3	4.3*	-	-	-	-	-	-	1.8	3.3	3.1	4.0*	6.3
	-3 m	-	-	-	-	5.3	7.4*	7.4*	7.4*	2.9	5.1*	5.1*	5.1*	-	-	-	-	-	-	-	-	-	-	2.4	4.2*	4.2*	4.2*	5.2
4.75m mono offset boom 2.6m dipper arm Front dozer blade Rear outriggers	6 m	-	-	-	-	-	-	-	-	-	-	-	-	-	-	-	-	-	-	-	-	-	-	2.4*	2.4*	2.4*	2.4*	5.9
	4.5 m	-	-	-	-	-	-	-	-	3.6*	3.6*	3.6*	3.6*	2.4	3.3*	3.3*	3.3*	-	-	-	-	-	-	1.9	2.3*	2.3*	2.3*	6.7
	3 m	-	-	-	-	6.5	6.7*	6.7*	6.7*	3.5	4.5*	4.5*	4.5*	2.2	3.7*	3.7*	3.7*	-	-	-	-	-	-	1.6	2.4*	2.4*	2.4*	7.2
	1.5 m	-	-	-	-	5.5	5.6*	5.6*	5.6*	3.2	5.4*	5.4*	5.4*	2.1	3.7	3.5	4.1*	-	-	-	-	-	-	1.5	2.6*	2.6	2.6*	7.3
	0 m	-	-	-	-	5.2	6.3*	6.3*	6.3*	2.9	5.5	5.2	6.0*	2.0	3.6	3.4	4.4*	-	-	-	-	-	-	1.6	2.8	2.7	3.1*	7.0
	-1.5 m	5.4*	5.4*	5.4*	5.4*	5.1	9.1*	9.1*	9.1*	2.8	5.4	5.1	6.0*	1.9	3.5	3.3	4.3*	-	-	-	-	-	-	1.7	3.2	3.0	3.9*	6.4
	-3 m	-	-	-	-	5.3	7.7*	7.7*	7.7*	2.9	5.2*	5.2	5.2*	-	-	-	-	-	-	-	-	-	-	2.3	4.1*	4.0	4.1*	5.4
4.75m mono offset boom 3.1m dipper arm Front dozer blade Rear outriggers	6 m	-	-	-	-	-	-	-	-	-	-	-	-	2.5	2.7*	2.7*	2.7*	-	-	-	-	-	-	1.9*	1.9*	1.9*	1.9*	6.5
	4.5 m	-	-	-	-	-	-	-	-	-	-	-	-	2.4	3.0*	3.0*	3.0*	-	-	-	-	-	-	1.7	1.9*	1.9*	1.9*	7.2
	3 m	-	-	-	-	5.6*	5.6*	5.6*	5.6*	3.6	4.0*	4.0*	4.0*	2.3	3.4*	3.4*	3.4*	1.5	2.4*	2.4*	2.4*	1.5	1.9*	1.9*	1.9*	1.9*	7.6	
	1.5 m	-	-	-	-	5.7	8.3*	8.3*	8.3*	3.2	5.1*	5.1*	5.1*	2.1	3.7	3.5	3.9*	1.5	2.6	2.5	2.9*	1.4	2.1*	1.7*	2.1*	2.1*	7.7	
	0 m	-	-	-	-	5.2	6.6*	6.6*	6.6*	2.9	5.5	5.2	5.8*	1.9	3.6	3.4	4.2*	1.4	2.4*	2.4	2.4*	1.4	2.4*	1.9*	2.4*	2.4*	7.5	
	-1.5 m	4.7*	4.7*	4.7*	4.7*	5.0	8.7*	8.7*	8.7*	2.8	5.4	5.0	6.0*	1.9	3.5	3.3	4.3*	-	-	-	-	-	-	1.5	2.8	1.5	2.9*	7.0
	-3 m	7.5*	7.5*	7.5*	7.5*	5.1	8.3*	8.3*	8.3*	2.8	5.4	5.1	5.5*	-	-	-	-	-	-	-	-	-	-	1.9	3.5	2.1	3.8*	6.0
4.75m mono offset boom 2.95m grab arm Front dozer blade Rear outriggers	6 m	-	-	-	-	-	-	-	-	-	-	-	-	2.7	3.2*	3.2*	3.2*	-	-	-	-	-	-	2.5	3.1*	3.1*	3.1*	6.2
	4.5 m	-	-	-	-	-	-	-	-	-	-	-	-	2.6	3.3*	3.3*	3.3*	-	-	-	-	-	-	2.0	3.1*	3.1*	3.1*	7.0
	3 m	-	-	-	-	-	-	-	-	3.8	4.5*	4.5*	4.5*	2.5	3.7*	3.7*	3.7*	-	-	-	-	-	-	1.8	3.0	2.8	3.2*	7.4
	1.5 m	-	-	-	-	-	-	-	-	3.5	5.5*	5.5*	5.5*	2.3	4.0	3.8	4.2*	1.7	2.9	2.7	3.6*	1.7	2.8	2.7	3.4*	3.4*	7.5	
	0 m	-	-	-	-	5.5	6.8*	6.8*	6.8*	3.2	5.8	5.5	6.2*	2.2	3.8	3.6	4.6*	-	-	-	-	-	-	1.7	2.9	2.8	3.8*	7.3
	-1.5 m	5.2*	5.2*	5.2*	5.2*	5.4	9.6*	9.6*	9.6*	3.1	5.7	5.4	6.3*	2.1	3.8	3.6	4.6*	-	-	-	-	-	-	1.8	3.2	3.0	4.0*	6.7
	-3 m	8.7*	8.7*	8.7*	8.7*	5.5	8.5*	8.5*	8.5*	3.1	5.7	5.4	5.8*	-	-	-	-	-	-	-	-	-	-	2.3	4.0	3.8	4.3*	5.7

Notes:

1. Working pressure with Power Boost = 36 MPa.

2. The above values are in compliance with ISO standard 10 567. They do not exceed 87 % of hydraulic lifting capacity or 75 % of tipping load, with the machine on firm, level ground.

3. Load capacities marked with an asterisk (*) are limited by machine's hydraulic lifting capacity rather than tipping load.

EQUIPMENT.

STANDARD EQUIPMENT

Engine

Turbocharged, 4 stroke Volvo diesel engine with water cooling, direct injection and charged air cooler that meets EU Step IIIB/Tier4 emission requirements

Intake air pre-heater

ECO- Modus

Fuel filter and water separator

Fuel filler pump: 50 l/min with automatic shut-off

Aluminium core radiator

Electric/Electronic control system

Contronics-computerized monitoring and diagnostic system

Master electrical disconnect switch

Adjustable automatic idling system

One-touch power boost

Adjustable monitor

Safety stop/start function

2 Frame mounted halogen lamps

Alternator, 120 A

Batteries, 2 x 12 V/140 Ah

Start motor, 24 V/5.5 kW

CareTrack via GSM

Rear view camera

Undercarriage

2-speed power transmission plus creep speed

Oscillating front axle $\pm 9^\circ$ with out mudguards/ 6°

with mudguards

2-circuit travel brakes

Maintenance-free propeller shafts

Superstructure

LED Rear lights

Service walkway with anti-slip grating

Centralised lubricating point for slew bearing

Digging equipment

Attachment points for extra hydraulics

Centralised lubrication point

Cab and interior

Volvo Care Cab with fixed roof hatch /ROPS

Heater & air-conditioner, automatic

Hydraulic dampening cab mounts

Adjustable operator seat and joystick control console

Adjustable steering column

Hydraulic safety lock lever

Control joystick, with 5 switches each

Cab, all-weather sound suppressed, includes:

Cup holder

Door locks

Safety glass, light tinted

Floor mat

Horn

Large storage area

Pull-up type front window

Removable lower windshield

Retractable seat belt

Windshield wiper with washer and intermittent feature

Sun shield, front, roof & rear

Master ignition key

Hydraulic system

Load sensing hydraulic system

Cylinder cushioning

Cylinder contamination seals

Return filter of full flow type 2 000 h exchange interval

Pressure relief system (servo accumulator)

Proportional controlled visco-clutch cooling fan

Hose rupture valve for boom and arm

Hydraulic long life oil ISO VG46

OPTIONAL EQUIPMENT

Engine

Diesel coolant heater with digital timer

Block heater, 240 V

Water separator with heater

Dust net

Tropical cooling

OPTIONAL EQUIPMENT

Electric / Electronic control system

Travel alarm

Rotating beacon

Extra work lights:

Service walkway 1 and counterweight 1

Boom-mounted 2

Cab front 2

LED lights

Multi-channel electric centre passage

Anti-theft system

Tilting and rotating attachment preparation

CareTrack via satellite

Hydraulic system

Hose rupture valve for dipper arm

Boom float function

Boom Suspension System

Hydraulic oil, biodegradable ISO VG32

Hydraulic oil, biodegradable ISO VG46

Hydraulic long life oil ISO VG32

Hydraulic long life oil ISO VG68

Hydraulic equipment for:

Hammer & shears

Slope bucket/rotator

Grab/clam shell

Quick fit

Flow control

Flow and pressure control

Cab and interior

Volvo Care Cab with openable PC roof hatch /

ROPS

Tiltrotator Joystick

Proportional control joystick

On/off joystick

Falling object guard (FOG)

Cab mounted falling object protective structures (FOPS)

Rain shield, front

Side camera

Sunlight protection, roof hatch (steel)

Safety net for front window

Lower wiper

Anti-vandalism kit

Radio with CD player and MP3 input

Ashtray

Lighter

Seat:

Fabric seat, with heater

Fabric seat, with heater and air suspension

Luxury operator seat

Undercarriage

Trailer Towing System

Twin tires 10.00 - 20 / 11.00 - 20

Single tires 18R - 19.5 / 620/40-22.5

Stone protection rings

Front dozer blade and rear outriggers

Paralell dozer blade

Radial dozer blade

Grab holder

Mudguards, front/rear

Tool box, left hand side/right hand side

Cruise control

Travel speed 20 km/h, 30 km/h, 35 km/h

Digging equipment

Booms

4.5 m mono boom

4.7 m 2-piece boom

4.75 m mono offset boom

Dipper arms

2.0 m, 2.45 m, 2.6 m, 3.1 m

2.95 m grab arm

Hydraulic quick fit

S6 system

Universal system

Attachments

Buckets, direct fit and quick fit:

General Purpose bucket (GP)

Heavy Duty bucket

Slope bucket

Lifting eye

Service

Wheel chocks

Tool kit, daily maintenance

Superstructure

Heavy counter weight

License plate preparation

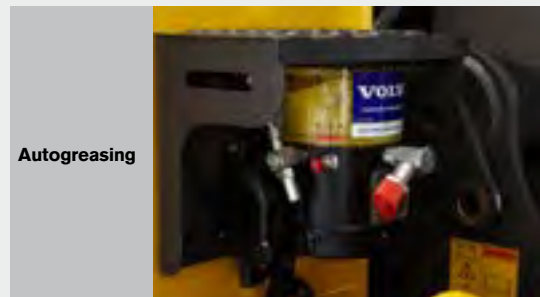
SELECTION OF VOLVO OPTIONAL EQUIPMENT



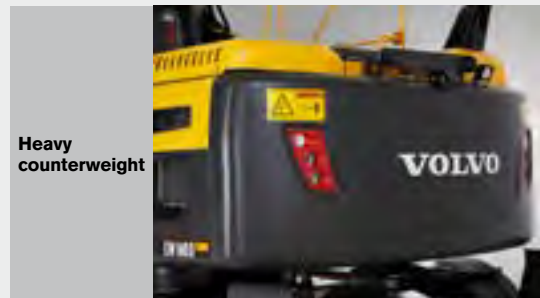
Boomfloat



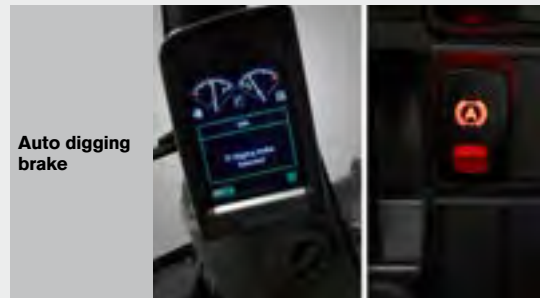
Boom Suspension System



Autogreasing



Heavy counterweight



Auto digging brake



Tilt rotator joysticks



VOLVO

Volvo Construction Equipment

www.volvoce.com