

V O L V O



Volvo Excavators 26.0-31.7 t 168 kW

EC250

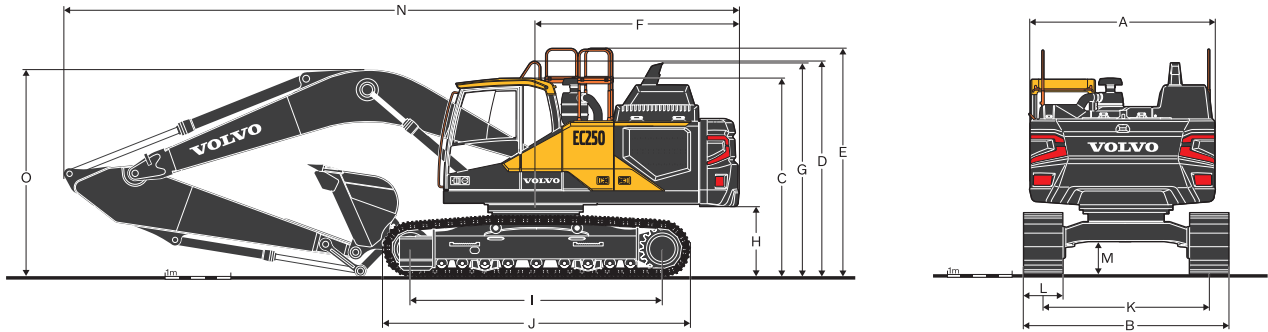
Volvo Construction Equipment

Specifications

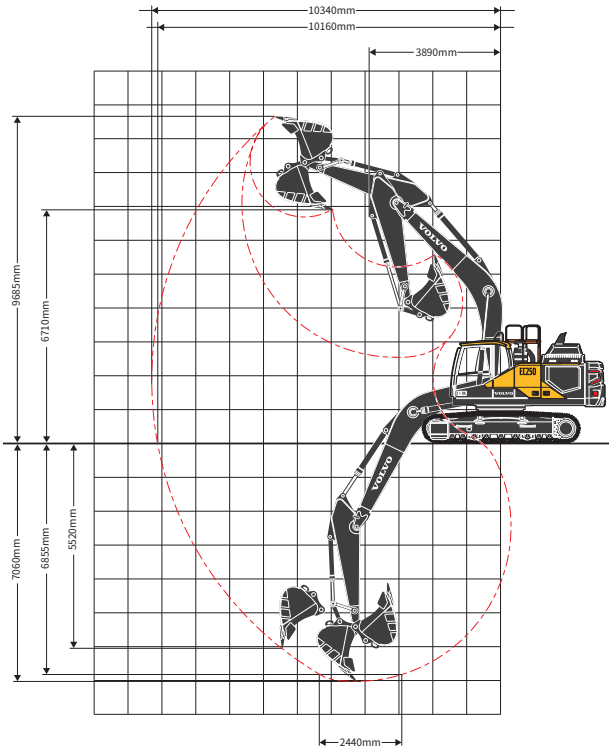
KEY PERFORMANCE

Engine		
Engine	Volvo	D8M
Max. power at	r/min	1 600
Net, ISO 9249/SAE J1349	kW	167
Gross, ISO 14396/SAE J1995	kW	168
Max. torque	Nm	1 165.5
at engine speed	r/min	1 350
Hydraulic system		
Max. flow	l/min	2 x 240
Relief valve setting pressure		
Implement	MPa	33.3/36.3
Travel circuit	MPa	36.3
Swing circuit	MPa	27.9
Travel system		
Max. tractive force	kN	217
Max. travel speed (low/high)	km/h	3.5/5.5
Gradeability	°	35
Swing system		
Max. swing speed	r/min	11.7
Max. swing torque	kNm	91.7

Service Refill		
Fuel tank	l	472
DEF/AdBlue® tank	l	50
Hydraulic system, total	l	385
Hydraulic tank	l	215
Engine oil	l	30
Engine coolant	l	44
Swing reduction unit	l	5.9
Travel reduction unit	l	2 x 5
Operating weight		
Boom length	m	6.0
Arm length	m	2.97
Bucket capacity	m³	1.51
Shoe width	mm	600
Operating weight	Kg	26 310
Max. Digging Force (ISO)		
Breakout force (bucket)	kN	181
Tearout force (arm)	kN	128



WORKING RANGES



DIMENSIONS

Description	Unit	EC250
Boom	m	6.0
Arm	m	2.97
A. Overall width of upper structure	mm	2 890
B. Overall width	mm	3 190
C. Overall height of cab	mm	3 045
D. Overall height of handrail	mm	3 310
E. Overall height of guardrail (Unfolded)	mm	3 515
E'. Overall height of handrail/guardrail (Folded)	mm	3 035
F. Tail swing radius	mm	3 075
G. Overall height of diffuser	mm	3 135
H. Counterweight clearance*	mm	1 045
I. Tumbler length	mm	3 850
J. Track length	mm	4 650
K. Track gauge	mm	2 590
L. Shoe width	mm	600
M. Min. ground clearance*	mm	470
N. Overall length	mm	10 230
O. Overall height of boom	mm	3 110

*Without shoe grouser

V O L V O

Volvo Construction Equipment

沃尔沃建筑设备投资(中国)有限公司

中国上海市浦东新区金京路2095号 邮编:201206

电话:+86 21 3131 9888 传真:+86 21 3131 9666 中文网站:www.volvoce.com.cn

全国统一客服专线: 4000-525-168



微信公众号



沃尔沃APP