

V O L V O



Volvo Excavators 20.5 t 115 kW

EC200

Volvo Construction Equipment

Specifications

KEY PERFORMANCE

Engine

Engine	Volvo	D4J
Max. power at	r/min	2 000
Net, ISO 9249/SAE J1349	kW	114
Gross, ISO 14396/SAE J1995	kW	115
Max. torque	Nm	618
at engine speed	r/min	1 700

Hydraulic system

Max. flow	l/min	2 x 200
Relief valve setting pressure		
Implement	MPa	32.4
Travel circuit	MPa	32.4
Swing circuit	MPa	27.9

Travel system

Max. tractive force	kN	172
Max. travel speed (low)	km/h	3.5
Max. travel speed (high)	km/h	5.6
Gradeability	°	35

Swing system

Max. swing speed	r/min	13
Max. swing torque	kNm	69

Service Refill

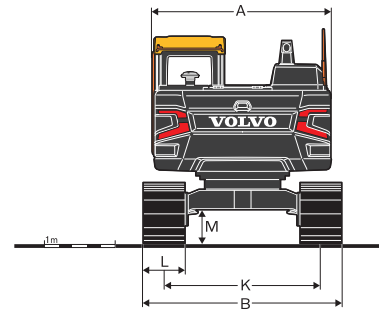
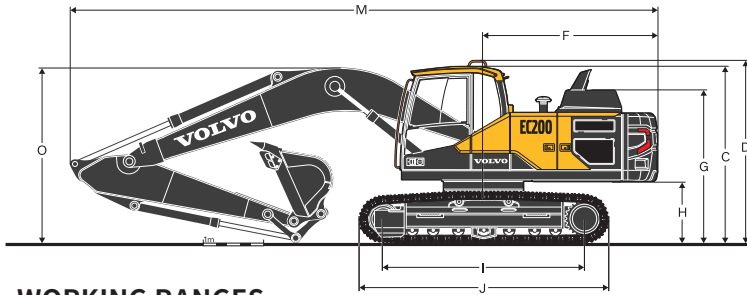
Fuel tank	l	360
DEF/AdBlue® tank	l	30
Hydraulic system, total	l	240
Hydraulic tank	l	140
Engine oil	l	19.50
Engine coolant	l	14
Swing reduction unit	l	5
Travel reduction unit	l	2 x 3.5

Operating weight

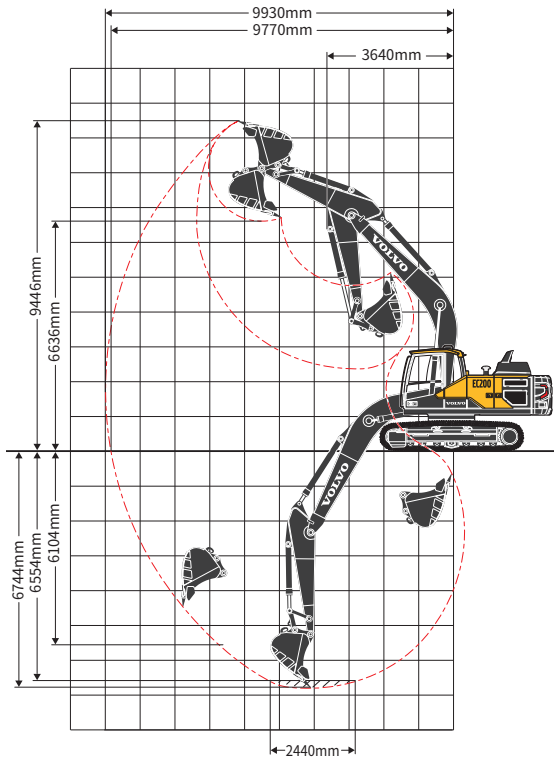
Boom length	m	5.7
Arm length	m	2.9
Bucket capacity	m ³	1.0
Shoe width	mm	600
Operating weight	Kg	20 500

Max. Digging Force (ISO)

Breakout force (bucket)	kN	136
Tearout force (arm)	kN	92



WORKING RANGES



DIMENSIONS

Description	Unit	EC200
Boom	m	5.7
Arm	m	2.9
A. Overall width of upper structure	mm	2 500
B. Overall width	mm	2 800
C. Overall height of cab	mm	2 915
D. Overall height of handrail	mm	3 032
F. Tail swing radius	mm	2 850
G. Overall height of engine hood	mm	2 586
H. Counterweight clearance*	mm	1 011
I. Tumbler length	mm	3 370
J. Track length	mm	4 163
K. Track gauge	mm	2 200
L. Shoe width	mm	600
M. Min. ground clearance*	mm	460
N. Overall length	mm	9 690
O. Overall height of boom	mm	2 926

* Without shoe grouser

V O L V O

Volvo Construction Equipment

沃尔沃建筑设备投资(中国)有限公司

中国上海市浦东新区金京路2095号 邮编:201206

电话:+86 21 3131 9888 传真:+86 21 3131 9666 中文网站:www.volvoce.com.cn

全国统一客服专线: 4000-525-168



微信公众号



沃尔沃APP