

V O L V O



Volvo Excavators 12.3 t 78.6 kW

**EC130**

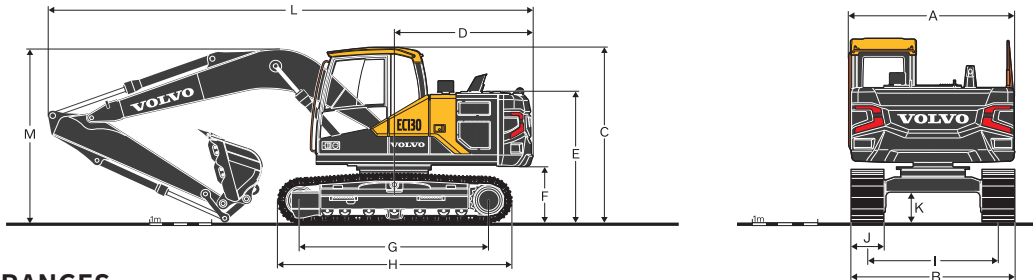
Volvo Construction Equipment

# Specifications

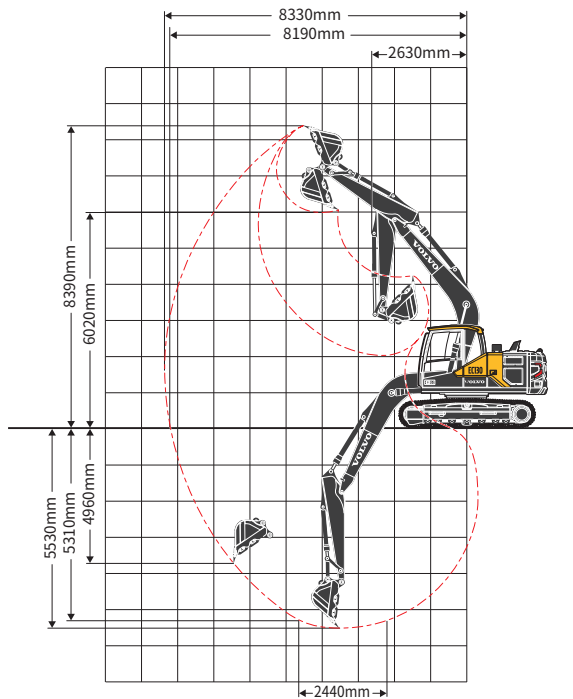
## KEY PERFORMANCE

Engine			
Engine	Volvo	D3.8H	
Max. power at	r/min	2 200	
Net, ISO 9249/SAE J1349	kW	77.4	
Gross, ISO 14396/SAE J1995	kW	78.6	
Max. torque	Nm	375	
at engine speed	r/min	1 500	
Hydraulic system			
Max. flow	l/min	2 x 106	
Relief valve setting pressure			
Implement	MPa	34.3	
Travel circuit	MPa	34.3	
Swing circuit	MPa	24.5	
Travel system			
Max. tractive force	kN	107	
Max. travel speed (low)	km/h	3	
Max. travel speed (high)	km/h	5.2	
Gradeability	°	35	
Swing system			
Max. swing speed	r/min	11.6	
Max. swing torque	kNm	30.6	

Service Refill			
Fuel tank	l	250	
Hydraulic system, total	l	167	
Hydraulic tank	l	85	
Engine oil	l	13.2	
Engine coolant	l	16.05	
Swing reduction unit	l	1.6	
Travel reduction unit	l	2 x 2.4	
Operating weight			
Boom length	m	4.6	
Arm length	m	2.5	
Bucket capacity	m <sup>3</sup>	0.52	
Shoe width	mm	500	
Operating weight	Kg	12 300	
Max. Digging Force (ISO)			
Breakout force (bucket)	kN	88.7	
Tearout force (arm)	kN	62.6	



## WORKING RANGES



## DIMENSIONS

Description	Unit	EC130
Boom	m	4.6
Arm	m	2.5
A. Overall width of upper structure	mm	2 500
B. Overall width	mm	2 500
C. Overall height of cab	mm	2 800
D. Tail swing radius	mm	2 200
E. Overall height of engine hood	mm	2 080
F. Counterweight clearance*	mm	920
G. Tumbler length	mm	2 870
H. Track length	mm	3 550
I. Track gauge	mm	1 990
J. Shoe width	mm	500
K. Min. ground clearance*	mm	436
L. Overall length	mm	7 720
M. Overall height of boom	mm	2 830

\* Without shoe grouser

**V O L V O**

**Volvo Construction Equipment**

沃尔沃建筑设备投资(中国)有限公司

中国上海市浦东新区金京路2095号 邮编:201206

电话:+86 21 3131 9888 传真:+86 21 3131 9666 中文网站:www.volvoce.com.cn

全国统一客服专线: 4000-525-168



微信公众号



沃尔沃APP