

V O L V O



Volvo Compact Excavators 3.6-4.4 t 24.8 hp

EC37

Volvo Construction Equipment

EC37

Experience superior stability, outstanding comfort
and increased productivity



Effortless control and comfort

Boasting smooth operation and easy servicing, as well as spaciousness and comfort thanks to a new modern cab, this compact excavator is set to deliver high breakout force and lifting capabilities across a multitude of tasks. With an intuitive navigation system and proportional fingertip controls, these compact machines are the perfect choice even for newly trained operators who can quickly get to work with a variety of attachments.



Comfortable new cab

- USB charging
- ROPS cab
- Improved HVAC- reduces dust and heat
- Reduced noise levels
- Modern style HMI



Easy and smooth operation

- Hydraulics for smoother operation
- Easily changeable hydraulic attachments
- Pre-program hydraulic settings
- Well suited for newly trained operators



Serviceability

- Less time on maintenance
- 50-hour greasing interval
- Easily accessed service points
- Wide-opening engine hood
- Auto engine shutdown
- Patented multifunction hydraulic oil filter



Strong and stable

- Superior stability due to longer track lines
- High breakout force, tear out force and lifting capacity
- Fast cycle times even with heavy loads
- Great tractive force

Volvo EC37 in detail

Engine		
Engine		Volvo D17A
Max. power at	r/min	2 200
Gross	kW	18.5
	hp	25.1
Max. torque	Nm	97
at engine speed	r/min	1 500
No. of cylinders		3
Displacement	cm ³	1 647
Bore	mm	87
Stroke	mm	92.4
Compression ratio		20.0 / 1
Electrical system		
Voltage	V	12
Battery capacity	Ah	74
Alternator	V/Ah	12 / 70
Undercarriage equipment		
Rubber track width	mm	300
Steel track width	mm	300
Bottom/top rollers per side		4 / 1
Track tension		by grease piston
Blade (width x height)	mm	1 780 x 368
Digging Performances		
Bucket rotation	°	198
Bucket breakout force (ISO)	daN	3 553
Short arm tearout force (ISO)	daN	2 259
With short arm	mm	1 400
Long arm tearout force (ISO)	daN	1 962
With long arm	mm	1 700

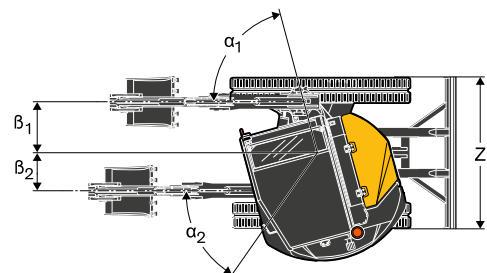
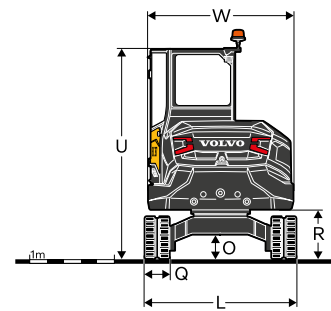
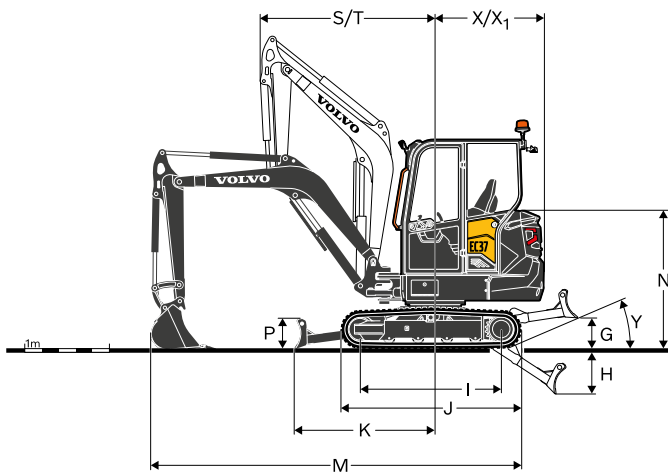
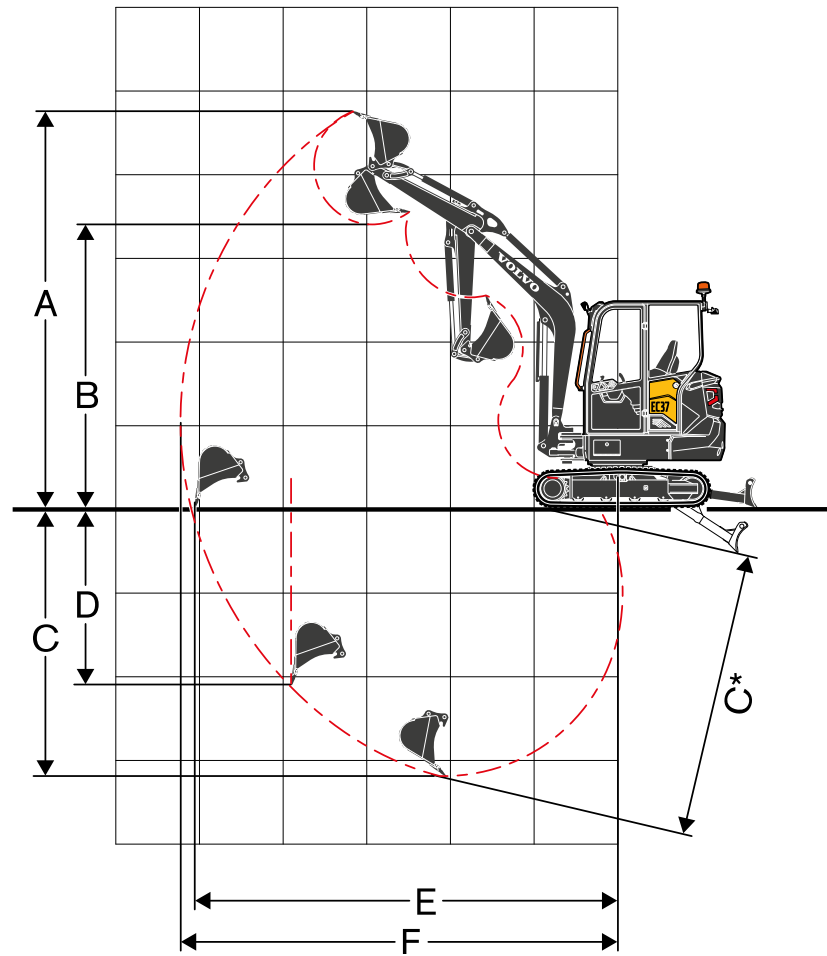
Travel System		
Max. drawbar pull	daN	3 364
Max. travel speed low	km/h	2.6
Max. travel speed high	km/h	4.6
Swing system		
Max. slew speed	r/min	9
Service Refill		
Fuel tank	l	70
Hydraulic tank	l	47
Engine oil	l	7
Engine coolant	l	7
Travel reduction unit	l	2 x 0.7
Sound Level		
Interior sound level according to ISO 6396		
L _{pA}	dB	78
External sound level according to ISO 6395 and EU Noise Directive (2000/14/EC) and 474-1:2006 +A1:2009		
L _{WA}	dB	94

Hydraulic system		
Pump type		Variable displacement piston pump
Maximum system flow	l/min	110
Maximum flow for accessories	l/min	65
Maximum pressure for accessories	MPa	22
Maximum flow for 2nd accessory circuit	l/min	40
Maximum operating pressure	MPa	26

Weight and Ground Pressure		
Operating weight according to ISO 6016	kg	3 785
Ground pressure (cab)	kPa	34.3
Ground pressure (canopy)	kPa	33.3
Transport weight	kg	3 710
With heated cab		
With direct-fit bucket		600 mm / 95 kg
With rubber tracks	mm	300
With short arm	mm	1 400
With fuel tank capacity	%	100
With thumb	+kg	64
With canopy	-kg	110
With extra counterweight	+kg	170
With long arm	+kg	15
With long arm and additional counterweight	+kg	185
With steel tracks	+kg	132
Steel tracks	mm	300



Specifications

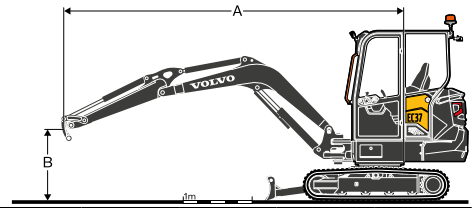











Dimensions		Unit	EC37F	
			short arm	long arm
Arm length		mm	1 400	1 700
A	Maximum cutting height	mm	4 684	4 849
B	Maximum dumping height	mm	3 468	3 634
C	Maximum digging depth (blade up)	mm	3 133	3 433
C*	Maximum digging depth (blade down)		3 338	3 632
D	Maximum vertical wall digging depth	mm	2 064	2 342
E	Maximum digging reach at ground level	mm	4 961	5 247
F	Maximum digging reach	mm	5 123	5 405
G	Highest position dozer blade	mm		368
H	Lowest position dozer blade	mm		522
I	Tumbler length	mm		1 654
J	Track length	mm		2 116
K	Short blade	mm		1 648
L	Overall width	mm		1 780
M	Overall length	mm	4 596	4 448
N	Overall height of engine hood	mm		1 617
O	Minimum ground clearance	mm		285
P	Dozer blade height	mm		366
Q	Shoe width	mm		300
R	Ground clearance to superstructure	mm		572
S	Front slew radius	mm	2 048	2 065
T	Front slew radius with maximum offset	mm	1 658	1 672
V	Overall height	mm		2 458
W	Overall width of superstructure	mm		1 710
X	Tail slew radius	mm		1 270
X ₁	Additional counterweight overhang (option)	mm		80
Y	Angle of approach	°		25°
Z	Dozer blade width	mm		1 780
a ₁	Maximum boom swing angle to the left	°		75°
a ₂	Maximum boom swing angle to the right	°		55°
b ₁	Maximum boom offset to the right	mm		596
b ₂	Maximum boom offset to the left	mm		440

Specifications

LIFTING CAPACITY EC37F

These capacities are given for a machine equipped with a cabin, 300mm rubber tracks and without a bucket or quick-coupler.
 The below values are in compliance with ISO standard 10567. They do not exceed 75% of the tipping load or 87% of the hydraulic limit with the machine on firm level ground.
 Loads marked with an asterisk (*) are limited by machine's hydraulic lifting capacity rather than tipping load.
 Caution: In accordance with standard EN 474-5, the machine must be equipped to carry out handling operations.
 It is the operator's obligation to know and follow the applicable national and local safety regulations.



	Lifting point height (B) m	kg	Lifting point radius (A)									Max. m
			2.0 m			3.0 m			Max. reach			
												
Arm: 1 400mm	3								778	873*	708	3 860
	2				986*	986*	986*	650	890*	592	4 301	
	1				1 080	1 394*	971	610	955*	555	4 430	
	0	1 760*	1 760*	1 718	1 043	1 683*	935	631	1 090*	573	4 283	
	-1	1 992	2 965*	1 724	1 035	1 713*	927	737	1 208*	667	3 825	
	-2	2 034	2 283*	1 763				1 138	1 377*	1 018	2 861	
Arm: 1 700mm + Additional counterweight	3							692	741*	631	4 189	
	2				822*	822*	822*	591	722*	539	4 593	
	1	2 059	2 328*	1 785	1 081	1 249*	971	557	766*	507	4 711	
	0	1 849*	1 849*	1 694	1 033	1 600*	924	570	873*	518	4 577	
	-1	1 951	2 909*	1 685	1 015	1 713*	908	647	1 097*	586	4 156	
	-2	1 983	2 565*	1 714	1 031	1 484*	922	895	1 247*	805	3 321	



Lifting capacity on the front, blade up



Lifting capacity on the front, blade down



Lifting capacity over 360°, blade up



Equipment

STANDARD EQUIPMENT

Engine

Low emission, direct injection, water-cooled, Volvo 3-cylinder diesel engine, meeting EU Stage V environmental regulations.

Engine restart prevention system: starter motor is protected against ignition when the engine is already running.

Safe engine start function: the left console must be raised to operate the starter.

Auto-idling system.

Eco mode.

Fuel fuel tank with drain plug.

Fuel filter with water separator.

Drivetrain

Axial piston hydraulic motors equipped with an epicyclic reduction gears.

Automatic two speed travel

Multi-disc track brakes, spring-applied and hydraulic released.

4 bottom flanged rollers lubricated for life.

Grease tensioning wheel lubricated for life.

Electric / Electronic control system

Maintenance free battery.

IP67 protected electrical system and high quality connectors.

Battery cut-off switch protected in engine compartment.

In-cab 12V and USB 5V power sockets.

In-cab diagnostic port.

In-cab fuse box.

One LED working light on top front left of the cab.

Swing system

Radial piston hydraulic motor with direct engagement on the ball internal crown wheel (no reduction gears).

Integrated shockless valve.

Automatic multi-disc slew brake.

Centralized and remote lubrication of crown wheel & ball bearing.

Undercarriage

"X" shape, box welded fabricated frame with sloping side members.

2 Tie-down points on the dozer blade.

2 Tie-down points on the frame.

2 Integrated lifting points.

Sturdy removeable protecting covers for track motors and slew system.

400HB weld-on edge on dozer blade

Hydraulic system

Variable displacement, load-sensing piston pump.

Closed centre flow-sharing main control valve.

Single and double acting hydraulic circuit for auxiliaries.

Proportional controls with digital flow and direction adjustment for all auxiliary circuits.

Cylinder cushioning on boom up and arm out.

Large hinged and key-locked access panel.

Patented filtering and filling element.

Single layer cooling system.

Hydraulic tank with drain plug.

STANDARD EQUIPMENT

Cab

FOPS on top level 1 (Falling Object Protective Structure).

TOPS (Tip-Over Protective Structure).

ROPS (Roll-Over Protective Structure).

Cushioned operator station.

Height adjustable seat, consoles and joysticks; all suspended together.

Retractable 50mm orange seat belt with warning indicator.

Large door access.

Highly visible orange handrail and cab entry step.

Large and roomy uncluttered floor with easy to clean floor mat.

Gas-strut assisted front window opening.

Full opening and front bay with in-cab storage for the removable front lower window.

Front windscreen wiper and washer nozzle.

Right hand side sliding window.

Heating system.

Multiple adjustable air vents.

Filtered air inlet with large size and easy to replace element.

Cab inside light.

Large capacity key-locked toolbox.

Digging equipment

Monobloc box welded boom.

Boom cylinder rod protection.

In-track swing frame: the boom offset cylinder is below the cab.

Integrated lifting point on the boom.

Monobloc box welded arm.

Long-life steel bushings.

Hardened, pre-lubricated and corrosion resistant pins.

50 hours greasing intervals.

Machine controls

Finger tip control for boom offset.

Finger tip control for auxiliary circuit(s).

Breaker toggle switch on right joystick.

Jogwheel for easy navigation and engine speed adjustment.

Automatic locking device for the controls when the left console is raised.

Pressure accumulator to lower the equipment on the ground when the engine is switched off.

Two speed change button on the dozer lever.

Large travel pedals.

Instrumentation and monitoring

High contrast 5" LCD color display with day and night modes

Gauges for fuel level, coolant temperature, engine speed, auxiliary and boom offset flows.

Icons & graphics for engine and adjustable work modes.

Various preset adjustable hydraulic adjustment for a large range of attachments.

Colour coded messages and help menu.

Hourmeter.

Self-acting emergency engine shutdown in case of coolant overheating or too low engine oil pressure.

Warning lights for hydraulic filter and air filter restriction.

Warning lights and audible signal in case of overheating, drop in oil pressure, low battery voltage...

Official approval

Machine conforming to European directive 2006/42/EC.

Noise emissions in the environment conforming to directive 2000/14/EC.

Hand Arm Vibrations - Whole Body Vibrations compliant with directive 2002/44/EC.

Electromagnetic compatibility (EMC) conforming to European directive 2014/30/EC and its amendments.

Object handling device conforming to EN 474-1 and EN 474-5 standards.

FOPS on top level 1 conforming to ISO 10262 standard.

TOPS conforming to ISO 12117-2 and EN 13531 standards.

ROPS conforming to ISO 12117-2

STANDARD AND OPTIONAL EQUIPMENT	
• = Standard / o = Optional	
Engine	
ECO mode	•
Engine auto idling with time adjustment	•
Engine auto shutdown with time adjustment	o
Machine exterior	
Right rearview mirror	o
Left rearview mirror	o
Front left LED worklight on cab roof	•
Front right LED worklight on cab roof ⁽¹⁾	o
Rear right LED worklight on cab roof ⁽¹⁾	o
Protected LED worklight on the boom ⁽¹⁾	o
Full LED worklights pack - Includes lights marked ⁽¹⁾ above	o
2 x cab mounted LED worklights illuminating left & right sides of the machine	o
Amber flashing LED beacon	o
Green flashing LED beacon (lights-up when to operator has buckled the seat belt)	o
Additional counterweight (170 kg)	o
Several level of paint customisation (RAL specifications) to match with your corporate identity	o
Undercarriage equipment	
300mm rubber tracks	•
300mm steel tracks	o
Standard dozer blade	•
Floating dozer blade with finger tip control switch on the blade lever	o
Angle and floating dozer blade	o
Hydraulic equipment	
Proportional finger tip roller control for boom offset	•
Proportional finger tip roller control for accessories	•
Double acting main accessory circuit	•
“Detent” mode for main accessory circuit	•
Adjustable preset work modes to match machine settings to accessories in use	•
Second double acting accessory circuit with fingertip roller control	o
Third double acting accessory circuit with fingertip roller control (for side tilting quick coupler)	o
Secondary relief valves for auxiliaries (22 MPa)	•
Hydraulic drain including flat face coupling for accessories	o
Flat face hydraulic quick couplings for main and second accessories circuits	o
Single acting circuit for quick couplers	o
Double acting circuit for quick couplers	o
Boom and arm safety lifting valves with overload indicator	o
Boom, arm and dozer blade safety lifting valves with overload indicator	o
Safety valve certification	o
Mineral hydraulic oil VG46	o
Bio hydraulic oil VG46 (PANOLIN®)	o
Mineral hydraulic oil VG68	o
Mineral hydraulic oil VG32	o
Bio hydraulic oil VG32 (PANOLIN®)	o

STANDARD AND OPTIONAL EQUIPMENT	
Canopy	
Vinyl high back seat	o
Textile high back seat	o
Head rest	o
3” Seat belt	o
Height adjustable arm rest	•
Large size monoblock travel pedals	•
Bottle holder	•
Lockable backrest storage box	o
1 x 12V power socket	•
Control pattern change	o
Travel alarm	o
Codelocked anti-theft device	o
Additional mechanical hour meter visible from outside the cab	o
Large capacity, key-lockable toolbox	•
Cab	
Heater	•
Air conditioning	o
Vinyl high back seat	o
Textile high back seat	o
Head rest	o
3” Seat belt	o
Height adjustable arm rest	•
Large size monoblock travel pedals	•
Bottle holder	•
Large capacity storage box	•
Lockable backrest storage box	o
Storage net	•
Coat hook	•
Ceiling light	•
Radio preparation	•
Radio (AUX, USB, SD, Bluetooth, DAB)	o
1 x 12V power socket	•
2 x USB charging ports	•
Control pattern change (ISO / SAE)	o
Travel alarm	o
Codelocked anti-theft device	o
Additional mechanical hour meter	o
Large capacity, key-lockable toolbox	•
Digging equipment	
Short arm	•
Long arm	o
Service and maintenance	
In-cab diagnostick socket	•
Service reminder	•
Tool kit	o
Attachments	
Volvo quick coupler mechanical or hydraulic (pin-on)	o
Extra pin kit for attachments used with pin-on quick coupler	o
LH hydraulic and mechanical quick couplers (MS&HS03)	o
Symmetrical (S40) hydraulic and mechanical quick couplers	o
Hydraulic 2x90° tilting quick coupler (MS&HS03 or S40)	o
Tiltrotators (X04 -S40)	o
A choice of 30cm / 52L up to 130cm / 150L general purpose and ditch buckets	o
Bolt-on side cutters for general purpose buckets	o
Hydraulic thumb	o
Hydraulic breaker Volvo HB03LN	o
Telematics	
Volvo Care Track	o

Not all products are available in all markets. Under our policy of continuous improvement, we reserve the right to change specifications and design without prior notice. The illustrations do not necessarily show the standard version of the machine.

V O L V O