

V O L V O



Volvo Electric Compact Wheel Loaders 4.5 - 5.4 t

# L20 ELECTRIC, L25 ELECTRIC

Volvo Construction Equipment



# Welcome to our world

Welcome to a world of industry leading machinery. A world where imagination, hard work and technological innovation will lead the way towards developing a future which is cleaner, smarter, and more connected. A world supported by the enduring values of the Volvo Group. A world of stability, sustainability and innovation. A world which we put our customers at the heart of.

Welcome to the world of Volvo Construction Equipment – we think you're going to like it here.

## Small machines, big results

With decades of experience in the design and manufacture of compact excavators and wheel loaders, our range of compact machinery is designed with customer success in mind. Built from the same DNA as large Volvo machinery, our compact range sets the standard for efficiency performance and uptime – complemented by an extensive range of Volvo attachments for maximum versatility.

Building on our proud history, the Volvo Concept Lab continues to create cutting-edge ideas and innovative concepts – such as our award-winning electric compact machines – to ensure we offer our customers machines which deliver big results long into the future.



## Solutions for you

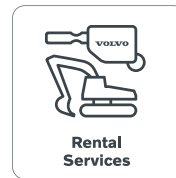
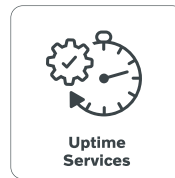
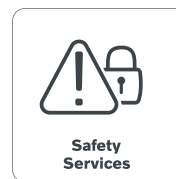
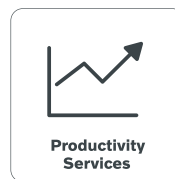
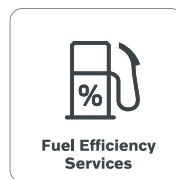
Our industry leading machines are just the start of your relationship with Volvo. As your partner, we have developed an extensive range of additional solutions to help you improve uptime, boost productivity and reduce costs.

### Designed for your business

Structured across nine blocks, our portfolio of products and services are designed to complement your machine's performance and boost your profitability. Simply put, we offer some of the best guarantees, warranties and technological solutions in the industry today.

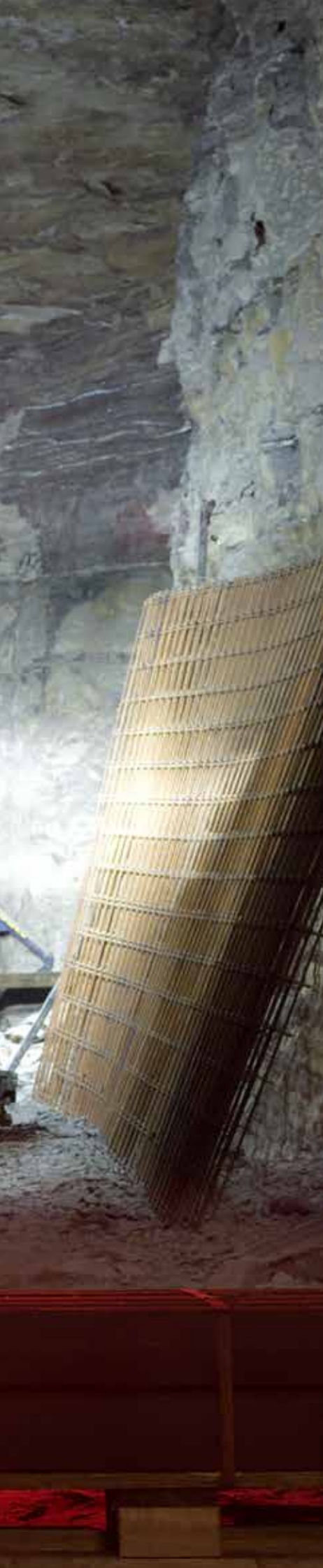
### There when you need us

Whether you're buying new or used, our global network of dealers and technicians offer around-the-clock support, including machine monitoring and world-class parts availability. It's the basis of everything offered by Volvo Services, so you can be confident we've got you covered right from the start.



# BUILDING TOMORROW





# OPEN UP NEW OPPORTUNITIES

Not only benefiting communities as a whole, the L20 Electric and L25 Electric also create new opportunities for your business. The low noise level means the machines can operate anytime, anywhere – even at night in populated areas. Zero emissions mean that there is no need for costly fume extraction systems when working indoors.



*"A lot of job sites will not allow you to start working after a certain hour because of noise restrictions. In this electric loader you can work a night shift without disturbing the neighbours!"*

**Anthony Coetzer,**  
Operator at Baltic Sands, INC (USA)

# Add power to your business

At Volvo we recognize that a sustainable business is a successful business, and we are proud to offer a range of electric machines to best suit your needs. The L20 Electric and L25 Electric combine the proven Volvo compact wheel loader platform with battery power, providing all the performance you need along with zero-tailpipe emissions and an incredibly low noise level.



## A new level of wellness

Operators will experience the world-class cab for which Volvo is renowned, including wide entry, superior visibility and comfort levels, further enhanced thanks to a dramatic reduction in noise, vibration and heat, and no exhaust fumes. This all contributes towards a quieter and cleaner jobsite, improving communication and working conditions for all personnel.

## As versatile as ever

Unlock the full potential of your Volvo Electric Compact Wheel Loader and take on a wide variety of jobs with an extensive range of available Volvo Attachments. Versatility is supported by the integrated Volvo Attachment Bracket which enables quick and easy attachment changes from the comfort of the cab.



*"With the batteries acting as a counterweight, the L25 Electric can really lift a lot for a compact machine. It's biggest advantage though, is that it's low emission, silent and has minimal vibration. Our operators enjoy working with it."*

**Silvan Eberhard,**

Head of Logistics at Eberhard (Switzerland)

**Electric parking brake**

Enhance operating comfort thanks to the electric parking brake with hill hold functionality. The system is maintenance-free, saving you time and money.



**Proven performance**

The Volvo Electric Compact Wheel Loader delivers all the performance you would expect from a wheel loader in this size class, but with less noise and zero-emissions. The machine delivers outstanding lifting and breakout forces, maximum traction as well as unrivalled off-road capability and stability.

**Tailor it your way**

On top of the ergonomic and intuitive controls, operators benefit from a range of customizable working modes to adapt the behavior of the machine according to the ground conditions, attachment being used and their personal preferences.



See how easy adjusting traction force, auxiliary hydraulic flow as well as sensitivity of the joystick and accelerator pedal is.

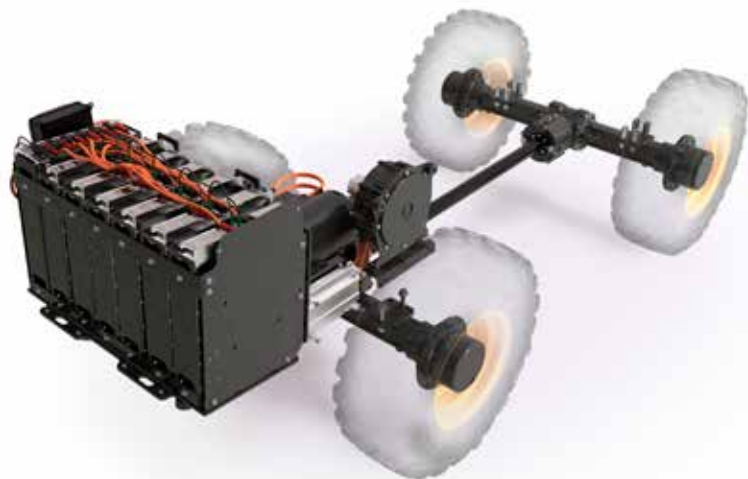






# A FULL DAY'S WORK

The L20 Electric and L25 Electric can deliver up to 6 hours of active work per charge depending on the environment and task at hand. To find out if an electric Volvo machine is the right fit for your activities, just talk to your dealer, who can help you calculate operating time and the optimum charging solution based on your operation.



## **The best battery technology**

The best machines deserve the best power solutions, which is precisely what you can expect in the Volvo Electric Compact Wheel Loaders, equipped with a lithium-ion 48v battery. Simply put, this is the best technology for the job with a capacity of 40 kW for the L25 Electric, and for the L20 Electric a choice of either a 33 kW battery pack or 40 kW battery pack for a longer runtime. What's more, the battery is designed to deliver up to 2500 full charge cycles, accounting for the full life expectancy of the machine.

## **Supercharged efficiency**

The fully electric driveline of the Volvo Electric Compact Wheel Loader has an energy recovery function which keeps energy losses to a minimum, ensuring the highest levels of efficiency without any compromise on performance. Further energy savings are secured thanks to full LED lighting and auto-shutoff function on the electric motors.

# Uptime you can count on

Enter the brave new world of electric machinery with complete confidence thanks to a range of solutions and services from Volvo. Count on the best battery technology, reduced servicing, fast-charging solutions and impressive warranties to give you complete peace of mind that your L20 Electric and L25 Electric will deliver all the performance and uptime which your operation demands.



## EMMA: your uptime partner

Stay ahead of charging requirements and ensure your Volvo electric machine is ready for action with our Electric Machine Management Application. 'EMMA' is a web application providing insight into your machine, including charging status, battery level and geographic location. Simply access the application on any internet-connected device to gain valuable information to help you manage the charging process more efficiently and maximize machine uptime.



◀ Here is how a day out  
with EMMA looks like

### Charge from 0 to 100% in 6 hours

The L20 Electric and L25 Electric come with an integrated on-board charger which supplies a 6kW power output to the batteries, allowing the machine to charge from 0 to 100% in under 6 hours. It also comes with the necessary charging cable, plug and adapters to charge from a wall socket or wallbox.

### Charge from 0 to 100% in 2 hours

When projects and applications demand faster charging, a range of optional fast off board chargers are available for both indoor and outdoor use. These will charge your Volvo Electric Compact Wheel Loader from 0 to 100% in less than 2 hours and extend your net operating time.



### 30% less maintenance

Give your uptime a boost and reduce maintenance requirements by 30% thanks to the fully electrified machine, powered by two maintenance-free and water-cooled motors. What's more, the electric motors stop when the machine is not working or moving, eliminating unnecessary wear and idle operating hours.

### 5 years premium support

In addition to the first-class back-up and support from your Volvo dealer, Volvo CE electric machines come complete with 2-year free servicing and a 2-year full machine warranty. Furthermore, by signing up for a maintenance agreement after year 2, the battery and electronic components are covered free of charge against defects for an additional 3 years.



*"I think that the L25 Electric is the world's best machine. It is quiet, smooth, fast and gives no exhaust fumes. The machine is absolutely perfect for us. The L25 Electric is also efficient as it only uses the battery when driving. Idling does not exist. We can handle a whole shift without having to charge the battery, which means we have not needed to get a fast charger because we manage with a standard charger overnight."*

**Michael Eng,**

Director of Stena Recycling in Borås (Sweden)

# Electrifying performance

## Open up new opportunities

- Perfect fit for noise sensitive areas
- Ability to work out of standard hours
- Zero-tailpipe emissions: work indoors and in emission-restricted zones

## A new level of operator comfort

- Low vibration, low noise levels, no exhaust fumes
- Wide 3-point cab access
- Best all-round visibility
- Intuitive interface, Electro-hydraulic controls
- Electric parking brake with hill hold functionality
- Programmable cab heater (Option)



Explore the machine in our walkaround video

## Uptime you can count on

- Work a full day – Operating time calculator available (contact your dealer)
- Make the most of every charge: fully electric driveline with energy recovery function and auto-shutoff function
- Choice of charging solutions | 0-100% in up to 2 hours
- 2-year free servicing, 2-year full machine warranty

## The best battery technology

- Lithium-Ion 48V battery – 40kWh (L25 Electric, L20 Electric) or 33 kWh (L20 Electric)
- On-board charging done via Type 2 automotive standard inlet
- Comes with 6kW on-board charger and necessary charging cable, plug and adapters
- Fast charging possibilities
- Can be charged at any State Of Charge (SOC)
- Theft protected fixed battery
- Designed to deliver up to 2500 full charge cycles

## 30% less maintenance

- Maintenance-free electric motors, featuring auto shutoff to save wear
- Fully electric driveline reduces hydraulic oil need by half
- Easy ground level access to lubrication and maintenance points

## Work anything, anywhere

- Perfect fit for confined and narrow spaces
- Wide range of Volvo Attachments
- Attachment bracket with integrated third hydraulic function
- Customizable work modes including traction force, joystick and accelerator pedal sensitivity
- Maximum speed of 20km/h

## Proven performance

- High lifting and breakout forces, superior roll-back and dump angles for bucket applications
- 100% parallel movements, outstanding lifting height and forward visibility for fork applications
- Rigid planetary axles, with 100% mechanical differential locks on the front and rear axles, offer maximum traction and minimal tire wear
- Articulating-oscillating center joint provides the best off-road capability and stability



# A commitment to electric

At Volvo Construction Equipment we are committed to building the world we want to live in. A world where progress is made in a sustainable, efficient and peaceful way. The L20 Electric and L25 Electric are just one part of this and join an ever-growing portfolio of Volvo electric machines, trucks and buses – helping to raise the bar for our industry when it comes to electric solutions.

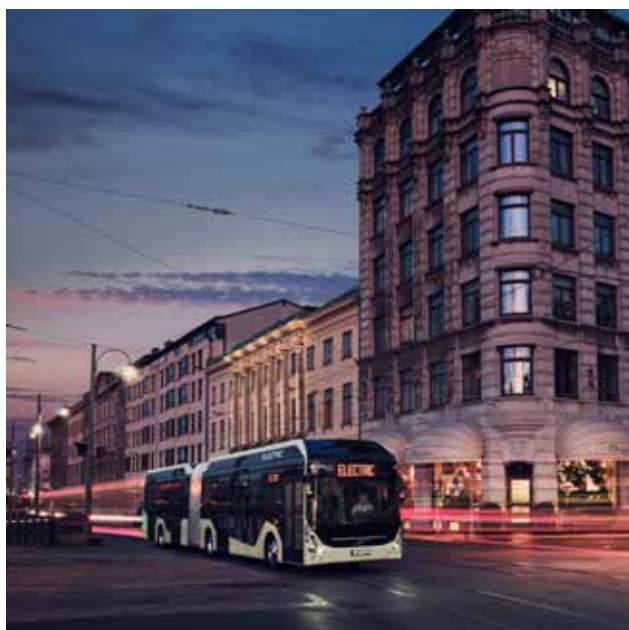
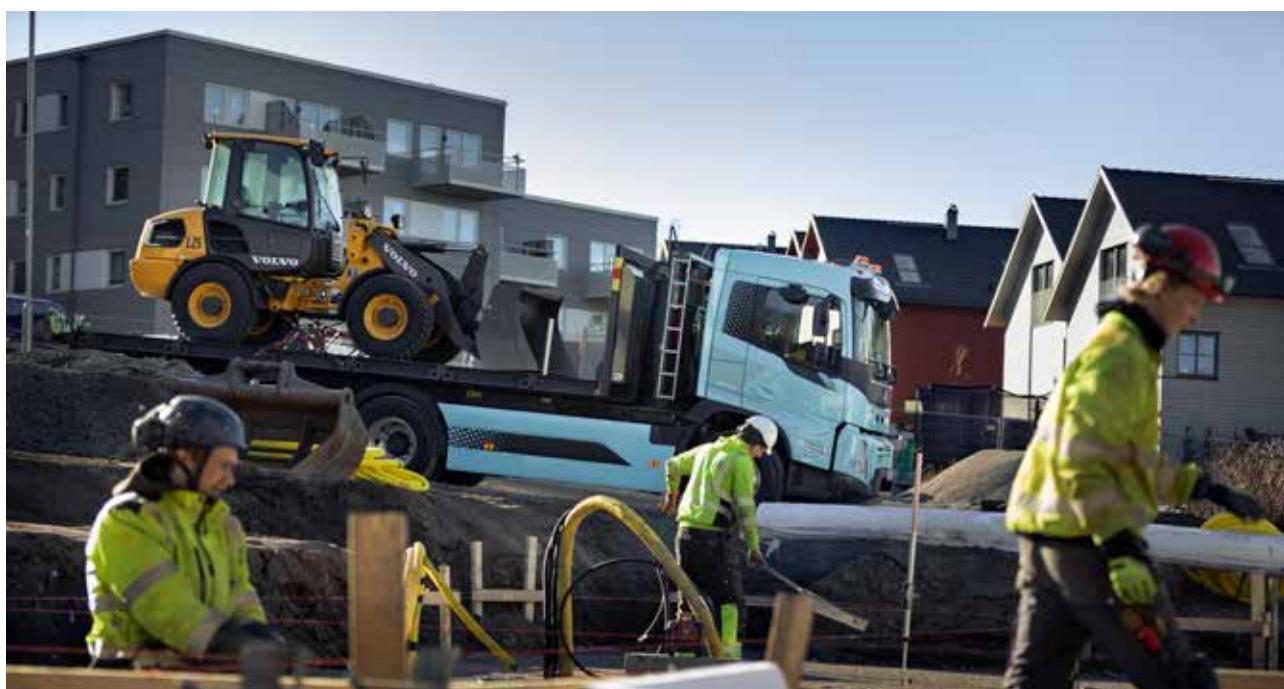




*"The L25 Electric is an important milestone in our journey to introduce more electric mobility at AWB Cologne and is certainly fulfilling our expectations. We are managing well with the electric power – even in the cold. Capacity, handling and shovel size – everything fits. So far, there have been no aspects that would make us question our decision. It was definitely the right choice."*

**Dr. Bert Schröer,**

Head of Mobility and Sustainability at AWB Cologne (Germany)



**JOIN THE ELECTRIC  
REVOLUTION**



Are you ready to take  
your business to new places?  
**Reserve your Volvo electric  
construction machine online!**

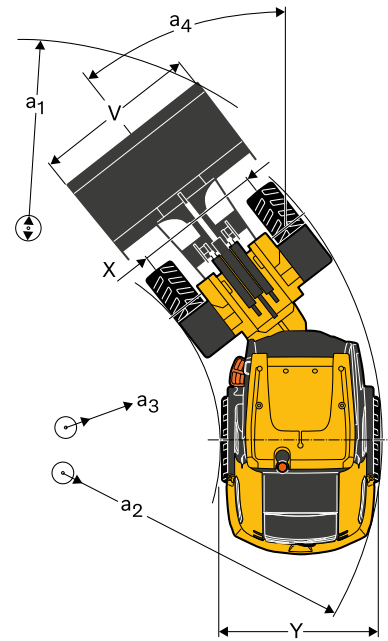
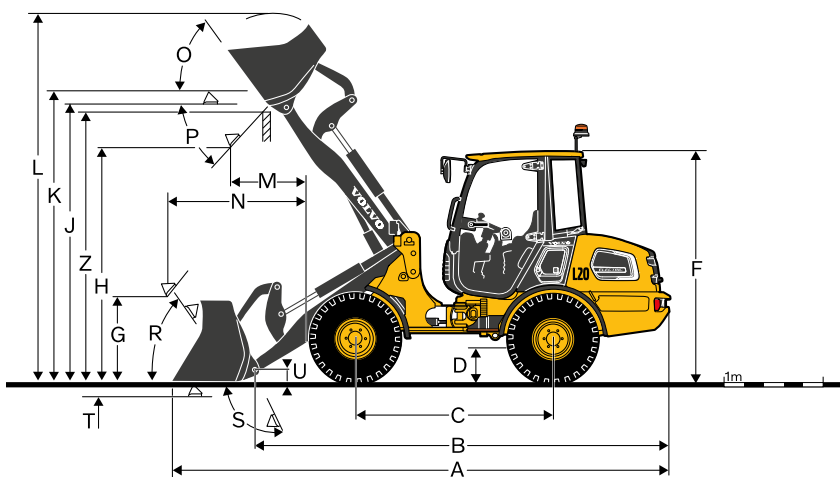
# Volvo L20 Electric in detail

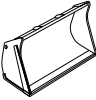
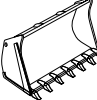
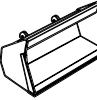
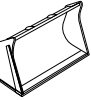
Electrical System		
Battery type		Lithium-ion
Battery Voltage	V	48
Indicative runtime	hours	Up to 8
<b>Battery capacity 33kWh / 750Ah</b>		
<b>On board charging time (0-100%):</b>		
230 VAC, 6A	hours	~24
230 VAC, 8A	hours	~18
230 VAC, 10A	hours	~14
230 VAC, 13A	hours	~11
400 VAC, 16A (CEE)	hours	~5
230 VAC, 16A (caravan adapter)	hours	~10
120 VAC, 15A	hours	~19
240 VAC, 40A	hours	~5
<b>Off board fast charging time (0-100%):</b>		
400 VAC, 16A / 9.6kW	hours	~3
400 VAC, 32A / 17.3kW	hours	~1.7
<b>Battery capacity 40kWh / 900Ah</b>		
<b>On board charging time (0-100%):</b>		
230 VAC, 6A	hours	~29
230 VAC, 8A	hours	~22
230 VAC, 10A	hours	~17
230 VAC, 13A	hours	~13
400 VAC, 16A (CEE)	hours	~6
230 VAC, 16A (caravan adapter)	hours	~12
120 VAC, 15A	hours	~23
240 VAC, 40A	hours	~6
<b>Off board fast charging time (0-100%):</b>		
400 VAC, 16A / 9.6kW	hours	~3.5
400 VAC, 32A / 17.3kW	hours	~2
<b>Auxiliary Battery</b>		
Type		AGM
Voltage	V	12
Capacity	Ah	50
<b>Electrical motor</b>		
Driveline Motor type		Induction motor
Driveline Motor power (net)	kW	22
Working Hydraulics Motor type		Permanent magnet synchronous motor
Working Hydraulics Motor power (net)	kW	14

Linkage		
The parallel linkage system offers 100% parallel lift with the loading fork. The linkage system and the attachment bracket are designed for an excellent visibility to the front attachment, fork tines and fork tines end. The Volvo Attachment Bracket P (parallel) is equipped with long guide pins and an additional sealing ring for protection against dust and mud.		
Linkage system		P-Kinematics
Lift cylinders		1
Tilt cylinders		1
Lift time (loaded)	s	6
Lowering time (empty)	s	4
Dump time	s	2.5
<b>Tires</b>		
Size		335/80 R18
Rim		11 x 18
<b>Brake system</b>		
Central wet disc brake, hydraulic activated service brake and SAHR (spring applied hydraulically released) parking brake		
<b>Hydraulic system</b>		
Thermal controlled oil circuit with integrated cooling system. Electric-Hydraulic control valve: double acting control valve with three spool system. Flow independent and fully controllable via joystick		
Working pressure max	MPa	20
Flow	l/min	55
3rd Hydraulic circuit pressure max	MPa	17.5
<b>Drivetrain</b>		
Angle of oscillation	± °	10
Oscillation at wheel, max.	mm	221
Track	mm	1 300
<b>Travel speed, forward/reverse</b>		
1st gear	km/h	8
2nd gear	km/h	20
<b>Steering System</b>		
Hydrostatic steering. Central articulating-oscillating joint. Gear pump with priority valve		
Steering cylinders		1
Working pressure	MPa	19
Max articulation	± °	38
<b>Service Refill</b>		
Hydraulic tank	l	40.5
Transmission oil	l	0.6
Front axle oil	l	3.9
Rear axle oil	l	4.1
<b>Cab</b>		
<b>Instrumentation:</b> All important information is located in the operator's field of vision.		
<b>Sound Level</b>		
Sound level in cab according to ISO 6396		
L <sub>pA</sub>	dB	72
Sound level in cab, without cab fan		
L <sub>pA</sub>	dB	59.6
External sound level according to ISO 6395 and EU Noise Directive 2000/14/EC		
L <sub>WA</sub>	dB	89
External sound level		
L <sub>WA</sub>	dB	86.3



# Specifications



Bucket type	General Purpose				Light Material	4 in 1
						
<b>L20 Electric with P-Kinematics and 335/80R18 tires</b>						
Capacity heaped	m <sup>3</sup>	0.8	0.9	1.2	0.65	
Material density	kg/m <sup>3</sup>	1900	1700	1200	2100	
Static tipping load, straight (ISO 14397)	kg	3 450	3 500	3 300	3 450	
Static tipping load, full turn 38° (ISO 14397)	kg	3 050	3 100	2 950	3 050	
Hydraulic lifting capacity, max.	kN	35	34	34	33	
Breakout force	kN	35	34	28	40	
A Total length	mm	5 120	5 300	5 300	5 035	
L Lift height, max.	mm	4 170	4 175	4 300	4 060	
V Bucket width	mm	1 650	1 800	1 800	1 650	
a <sub>1</sub> Clearance circle	mm	8 390	8 540	8 550	8 340	
T Digging depth	mm	45	45	40	70	
H Dump height, 45°	mm	2 350	2 340	2 340	2 400	
M Reach at max. height	mm	800	810	810	690	
N Reach, max.	mm	1 630	1 640	1 640	1 520	
Operating weight	kg	4 550	4 600	4 700	4 700	

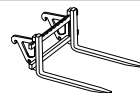
## DIMENSIONS

### L20 Electric with P-Kinematics and 335/80 R18 tyres

B	mm	4 280
C	mm	2 050
D	mm	290
F	mm	2 480
G	mm	690
J	mm	2 980
K	mm	3 140
O	°	56
P	°	42
R	°	56
S	°	65
U	mm	145
X	mm	1 300
Y	mm	1 635
Z	mm	2 905
a <sub>3</sub>	mm	2 100
a <sub>2</sub>	mm	3 890
a <sub>4</sub>	°	±38

## L20 Electric P-Kinematics

Data with loading fork  
Centre of gravity 500 mm



Tipping load, full turn (ISO / DIS)	kg	2 250
Payload according to EN 474-3, 60/80%	kg	1 350 / 1 800

# Volvo L25 Electric in detail

## Electrical System

Battery type	Lithium-ion	
Battery Voltage	V	48
Battery capacity	kWh	40
	Ah	750
Indicative runtime	hours	Up to 8

### On board charging time (0-100%):

230 VAC, 6A	hours	~29
230 VAC, 8A	hours	~22
230 VAC, 10A	hours	~17
230 VAC, 13A	hours	~13
120 VAC, 15A	hours	~23
400 VAC, 16A (CEE)	hours	~6
230 VAC, 16A (caravan adapter)	hours	~10
240 VAC, 40A	hours	~6

### Off board fast charging time (0-100%):

400 VAC, 16A / 9.6kW	hours	~3.5
400 VAC, 32A / 17.3kW	hours	~2

### Auxiliary Battery

Type	AGM	
Voltage	V	12
Capacity	Ah	50

## Electrical motor

Driveline Motor type	Induction motor	
Driveline Motor power (net)	kW	22
Working Hydraulics Motor type	Permanent magnet synchronous motor	
Working Hydraulics Motor power (net)	kW	14

## Linkage

### L25 Electric P-Kinematics

The parallel linkage system offers 100% parallel lift with the loading fork. The linkage system and the attachment bracket are designed for an excellent visibility to the front attachment, fork tines and fork tines end. The Volvo Attachment Bracket P (parallel) is equipped with long guide pins and an additional sealing ring for protection against dust and mud.

Linkage system	P	
Lift cylinders	1	
Tilt cylinders	1	
Lift time (loaded)	s	6
Lowering time (empty)	s	4
Dump time	s	2.5

### L25 Electric Z-Kinematics

Z-bar linkage providing high breakout force to the bucket and also parallel movement to the fork frame thanks to Volvo's specific kinematics.

Linkage system	Z	
Lift cylinders	2	
Tilt cylinders	1	
Lift time (loaded)	s	6
Lowering time (empty)	s	4
Dump time	s	1.5

## Tires

Size	335/80 R18	
Rim	11 x 18	

## Brake system

Central wet disc brake, hydraulic activated service brake and SAHR (spring applied hydraulically released) parking brake

## Hydraulic system

Thermal controlled oil circuit with integrated cooling system. Electric-Hydraulic control valve: double acting control valve with three spool system. Flow independent and fully controllable via joystick

Working pressure max	MPa	23
Flow	l/min	55
3rd Hydraulic circuit pressure max	MPa	17.5
3rd Hydraulic circuit flow	l/min	55

## Drivetrain

Angle of oscillation	± °	10
Oscillation at wheel, max.	mm	240
Track	mm	1410

## Travel speed, forward/reverse

1st gear	km/h	8
2nd gear	km/h	20

## Steering System

Hydrostatic steering. Central articulating-oscillating joint. Gear pump with priority valve

Steering cylinders	1	
Working pressure	MPa	19
Maximum flow	l/min	55
Max articulation	± °	38

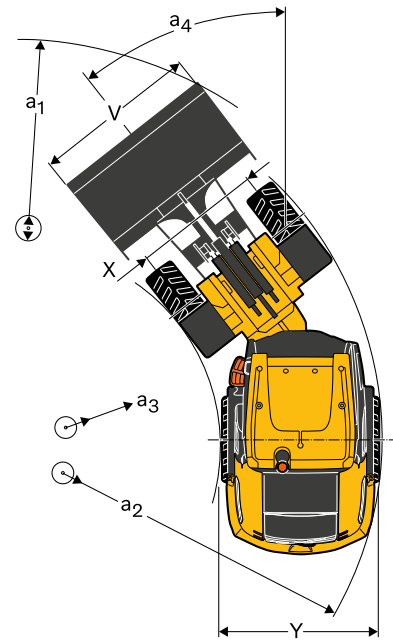
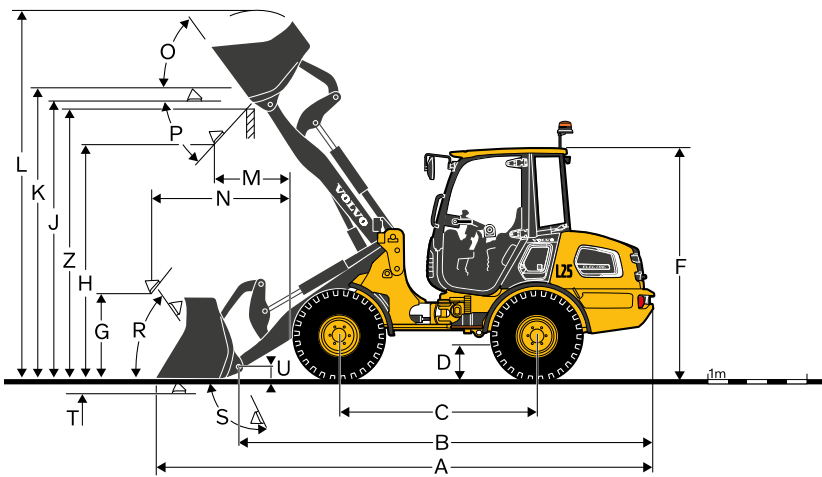
## Cab


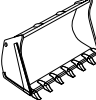
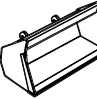



**Instrumentation:** All important information is located in the operator's field of vision.

## Sound Level

Sound level in cab according to ISO 6396		
L <sub>pA</sub>	dB	72
Sound level in cab, without cab fan		
L <sub>pA</sub>	dB	59.6
External sound level according to ISO 6395 and EU Noise Directive 2000/14/EC		
L <sub>WA</sub>	dB	89
External sound level		
L <sub>WA</sub>	dB	86.3

# Specifications

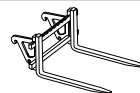


Bucket type	General Purpose				Light Material	4 in 1
						
<b>L25 Electric with P-Kinematics and 335/80R18 tires</b>						
Capacity heaped	m <sup>3</sup>	0.9	1.0	1.2	0.8	
Material density	kg/m <sup>3</sup>	1900	1700	1300	2000	
Static tipping load, straight (ISO 14397)	kg	3 850	3 800	3 600	3 650	
Static tipping load, full turn 38° (ISO 14397)	kg	3 450	3 400	3 250	3 250	
Hydraulic lifting capacity, max.	kN	41	41	40	39	
Breakout force	kN	37	34	30	37	
A Total length	mm	5 320	5 370	5 300	5 320	
L Lift height, max.	mm	4 175	4 245	4 300	4 170	
V Bucket width	mm	1 800	1 800	1 800	1 800	
a <sub>1</sub> Clearance circle	mm	8 540	8 575	8 550	8 535	
T Digging depth	mm	45	45	40	70	
H Dump height, 45°	mm	2 340	2 290	2 340	2 320	
M Reach at max. height	mm	810	860	810	780	
N Reach, max.	mm	1 640	1 690	1 640	1 610	
Operating weight	kg	4 900	4 900	5 000	5 050	

DIMENSIONS		
L25 Electric with P-Kinematics and 335/80 R18 tyres		
B	mm	4 280
C	mm	2 050
D	mm	290
F	mm	2 480
G	mm	690
J	mm	2 980
K	mm	3 140
O	°	56
P	°	45
R	°	56
S	°	65
U	mm	145
X	mm	1 410
Y	mm	1 740
Z	mm	2 905
a <sub>3</sub>	mm	2 100
a <sub>2</sub>	mm	3 890
a <sub>4</sub>	°	±38

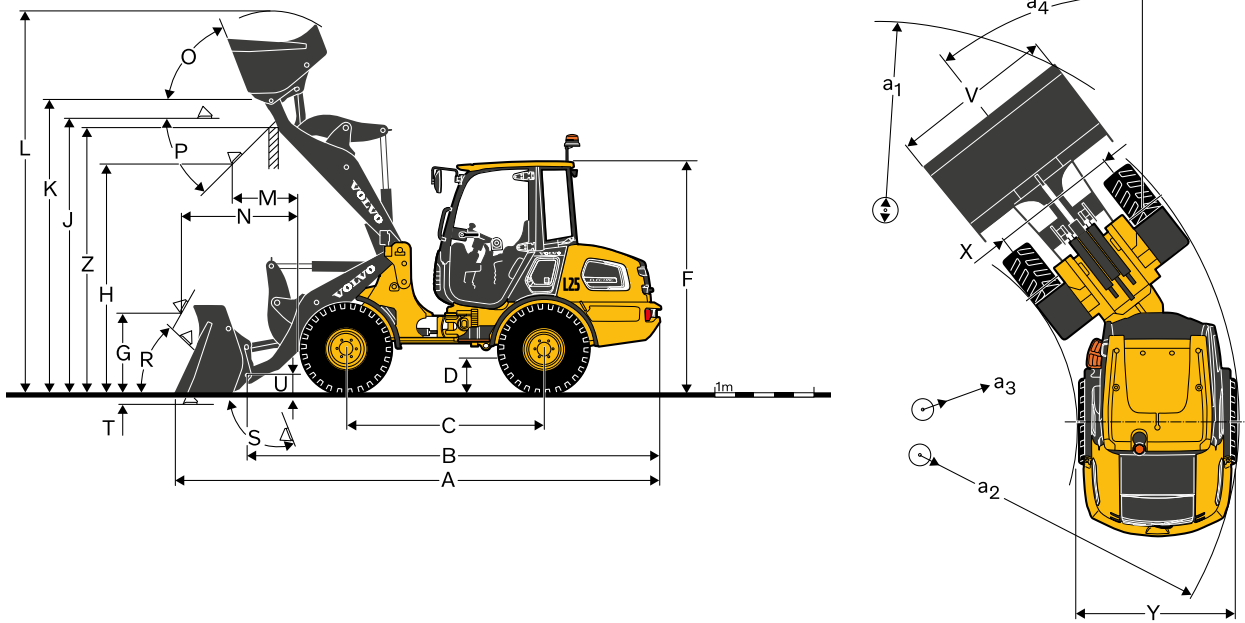
## L25 Electric P-Kinematics


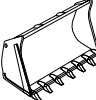


Data with loading fork  
Centre of gravity 500 mm



Tipping load, full turn (ISO / DIS)	kg	2 625
Payload according to EN 474-3, 60/80%	kg	1 600 / 2100

# Specifications

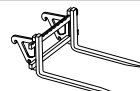


Bucket type	General Purpose				Light Material	4 in 1
						
<b>L25 Electric with Z-Kinematics and 335/80R18 tires</b>						
Capacity heaped	m <sup>3</sup>	0.9	1.0	1.2	0.8	
Material density	kg/m <sup>3</sup>	1 800	1 600	1 300	1 900	
Static tipping load, straight (ISO 14397)	kg	3 750	3 700	3 600	3 450	
Static tipping load, full turn 38° (ISO 14397)	kg	3 350	3 300	3 250	3 100	
Hydraulic lifting capacity, max.	kN	55	54.2	52.8	51.5	
Breakout force	kN	54.5	47.5	42	51.5	
A Total length	mm	5 445	5 375	5 480	5 480	
L Lift height, max.	mm	4 125	4 170	4 260	4 080	
V Bucket width	mm	1 800	1 800	1 800	1 800	
a <sub>1</sub> Clearance circle	mm	8 875	8 780	8 840	8 895	
T Digging depth	mm	100	100	100	105	
H Dump height, 45°	mm	2 495	2 425	2 355	2 470	
M Reach at max. height	mm	750	825	905	775	
N Reach, max.	mm	1 525	1 600	1 675	1 545	
Operating weight	kg	5 270	5 270	5 310	5 450	

DIMENSIONS		
L25 Electric with Z-Kinematics and 335/80 R18 tyres		
B	mm	4 470
C	mm	2 125
D	mm	310
F	mm	2 480
G	mm	850
J	mm	2 970
K	mm	3 170
O	°	70
P	°	45
R	°	50
S	°	96
U	mm	200
X	mm	1 410
Y	mm	1 740
Z	mm	2 880
a <sub>3</sub>	mm	3 935
a <sub>2</sub>	mm	2 155
a <sub>4</sub>	°	±38

## L25 Electric Z-Kinematics

Data with loading fork  
Centre of gravity 500 mm



Tipping load, full turn (ISO / DIS)	kg	2 500
Payload according to EN 474-3, 60/80%	kg	1 500 / 2 000

# Equipment

STANDARD EQUIPMENT		
	L20 Electric	L25 Electric
<b>Drivetrain</b>		
Full electric drive	•	•
Operator-selected 100% differential locks in both axles	•	•
Electric parking brake with hill hold function	•	•
Maintenance free wet brake system	•	•
<b>Electric / Electronic control system</b>		
Maintenance-free 48V battery - protected and embedded in the machine structure	•	•
6 Rack Battery System - 40kWh Gross Capacity	–	•
5 Rack Battery System - 33kWh Gross Capacity	•	–
6 kW On-board charger with Type 2 socket	•	•
Standard charging cable with 3 plugs (domestic - white, CEE plug blue and red (for 230VAC 16A 1 phase)	•	•
Maintenance-free 12V auxiliary battery	•	•
High quality connectors	•	•
Protected battery cut-off switch	•	•
In-cab 12V power socket	•	•
Full LED lights - Travel light equipment (Main Head Lights, Parking-, Rear-, Brake-, Hazard warning lights and direction indicators)	•	•
Full LED lights - Working lights (2 front and 2 rear)	•	•
<b>Hydraulic system</b>		
Gear-type pump	•	•
Electric-Hydraulic control valve three-spool system	•	•
3rd hydraulic circuit	•	•
Hydraulic couplings for 3rd hydraulic circuit	•	•
Flow share function	•	•
<b>Instrumentation &amp; controls</b>		
Single lever including 3rd function - Electroproportional	•	•
12 Volt accessories socket	•	•
Signal horn	•	•
Hazard warning switch	•	•
Jogwheel for menu navigation	•	•
5 inch multicolor display	•	•
Digital information on 5 inch display	•	•
Battery state of charge (SOC)	•	•
Operating hours	•	•
Differential locks	•	•
Battery charging	•	•
Indicators (left/right)	•	•
Main beam head lamp	•	•
Direction (forward/reverse)	•	•
Hydraulic oil temperature	•	•
Hydraulic oil filter	•	•
Parking brake	•	•
Jog-Dial for menu navigation and machine controls	•	•
Preset Work modes for different applications	•	•
Cruise control	•	•
Adjustable timer for cab heating	•	•

STANDARD EQUIPMENT		
	L20 Electric	L25 Electric
<b>Safety</b>		
Rotating beacon (foldable)	•	•
Audible reverse alarm	•	•
Anti-theft system	•	•
<b>Cab, Exterior</b>		
ROPS/FOPS-cab with flexible mountings	•	•
Adjustable steering column	•	•
DAB Radio preparation	•	•
Lockable door	•	•
All-round tinted safety glass	•	•
Windscreen wiper (front/rear)	•	•
Windscreen washer (front/rear)	•	•
Openable window on the right side	•	•
Door stops	•	•
External rear view mirrors (right/left)	•	•
4-way adjustable operator's seat	•	•
Orange seat belt	•	•
Sunvisor	•	•
Heater with air-filter and defroster (front/rear)	•	•
Cab ventilation	•	•
Storage box in cab	•	•
<b>Working Equipment</b>		
Hydraulic P-Attachment bracket	•	•
7 pin electrical socket on boom (Sweeper preparation)	•	•
Bucket level indicator	•	•
<b>Carriage Body</b>		
Fenders (front/rear)	•	•
Lockable engine hood	•	•
Towing device	•	•
Lifting eyes	•	•
Tying down eyes	•	•
<b>Service and maintenance</b>		
Tool kit	•	•
<b>Official approval</b>		
Quality: DIN/ISO 9001	•	•
Environment: DIN/ISO 14001	•	•
Safety: CE compliant acc. Machinery Directive 2006/42/EC and EN 474-series	•	•
ROPS ISO 3471	•	•
FOPS ISO 3449	•	•
Noise Emission Directive 2000/14/EC	•	•
EMC 2014/30/EC	•	•
Tipping load / Payload: ISO 14397-1	•	•
ECE R100 (approval of vehicles with regard to specific requirements for the electric power train)	•	•
Vehicle Homologation for public road traffic usage according German StVZO-Requirements	•	•

# Equipment

## OPTIONAL EQUIPMENT

	L20 Electric	L25 Electric
<b>Electric / Electronic control system</b>		
Fast charging machine preparation with weather protected socket	•	•
Off Board Fast charger IP54 360A – 17.3kW Outdoor	•	•
Off Board Fast charger IP21 200A – 9.6kW Indoor	•	•
Off Board Fast charger IP21 360A – 17.3kW Indoor	•	•
6 Rack Battery System - 40kWh Gross Capacity	•	–
<b>Hydraulic system</b>		
3rd function oil return line via filter	•	•
Leakage line direct to hydraulic tank	•	•
BIO degradable hydraulic oil	•	•
4th hydraulic circuit switched from 3rd function	•	•
<b>Instrumentation &amp; controls</b>		
Boom Suspension System	•	•
<b>Safety</b>		
Safety brace	•	•
Rotating beacon (magnetic)	•	•
Safety valves on lift and tilt cylinders (hose rupture valves)	•	•
Audible reverse alarm 92dB (white noise)	•	•
<b>Cab, Interior</b>		
Programmable cab heater	•	•
DAB Radio with Bluetooth/USB and AUX connection	•	•
Air suspended and heated operator's seat	•	•
Heated rear view mirrors	•	•
Additional document box	•	•
<b>Working Equipment</b>		
Hydraulic Z-Attachment bracket	–	•
<b>Carriage Body</b>		
Headlight protection	•	•
Worklight protection	•	•
Rearlight protection	•	•

## OPTIONAL EQUIPMENT

	L20 Electric	L25 Electric
<b>Wheel/Tires</b>		
335/80R18	•	•
340/80R18	•	•
405/70R18	•	•
365/70R18	•	•
<b>Other</b>		
Special colour painting	•	•
Slow Moving Vehicle (SMV) warning triangle	•	•
Preparation for license plate front and/or rear	•	•
<b>Attachments</b>		
Forks with mechanical tines movements	•	•
Light Material bucket	•	•
Side-Tip bucket	•	•
Material Handling Arm	•	•
Multi-Purpose bucket	•	•
Grading bucket	•	•
Customer-Built Attachments	•	•
General Purpose bucket	•	•



## SELECTION OF VOLVO OPTIONAL EQUIPMENT

Fast charging preparation



Boom Suspension System



Biodegradable hydraulic oil



Programmable cab heater



Choice of Parallel or Z-bar linkage (L25 Electric)



Choice of 33kWh or 40kWh battery pack (L20 Electric)



Not all products are available in all markets. Under our policy of continuous improvement, we reserve the right to change specifications and design without prior notice. The illustrations do not necessarily show the standard version of the machine.

**V O L V O**