

V O L V O



Volvo Pneumatic Tyre Rollers 4.4-11.3 t / 9,825-25,000 lb 55.4 kW / 74.3 hp

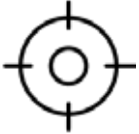
PT125C

Volvo Construction Equipment

PT125C



Knead for perfection



Versatile performance

Complete a variety of tasks with the roller's impressive ballast capacity, adjustable tire pressure and heavy-duty tires.



Smooth operation

Enhance productivity without compromising safety thanks to the intelligently-designed hydrostatic transmission.



Paved for the future

Oscillating front tires overlap with rear drive tires to provide uniform surface coverage, compaction and sealing.



Power up, costs down

Boost productivity without compromising costs with the Volvo engine, featuring automatic idling and passive regeneration.



Comfortably productive

Reduce fatigue with all-around visibility, adjustable seat and easy-to-reach controls.



Easy maintenance

Simplify service from ground-level with the hinged engine compartment door, removable panels and racetrack decal.



Productivity on tap

Boost uptime and cut operating costs with the industry-leading tire-wetting system.



Get to work fast

Easily and safely move between jobsites thanks to the foldable ROPS or FOPS canopy.



Here to support you

Ensure your machine retains its Volvo quality with a supply of Genuine Volvo Parts, available at your local Volvo dealer.



Machine monitoring made easy

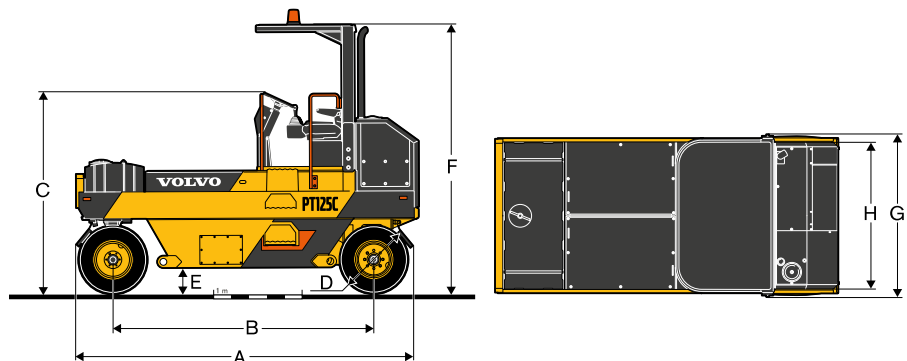
Reduce maintenance costs, increase service life and optimize your operations with Volvo's diagnostic software, MATRIS.

Volvo PT125C in detail

Model				PT125C	
Operating Weight					
Standard operating weight	kg	lb	4,457		9,826
Maximum weight ballasted	kg	lb	11,340		25,000
Wheel load	kg	lb	495		1,091
Wheel load (ballasted)	kg	lb	1,264		2,787
Tyres					
Tyre type	7.5-15 14PR				
Number of tyres (front/rear)	4/5				
Tyre overlap	mm	in	13		0.5
Tyre pressure (min/max)	bar	psi	2.4/8.6		35/125
Engine					
Make	Volvo				
Model	D3.3H				
Rated power @ 2,200 r/min	kW	hp	55.4		74.3
Emission compliance	US EPA Tier 4 Final, EU Stage IIIB				
Propulsion					
System type	Closed loop hydrostatic				
Driven wheels	Rear				
Speed range (travel)	km/h	mph	0 to 19.6		0-12.2
Speed range (working)	km/h	mph	0 to 12		0-7.4
Theoretical gradeability			30		
Steering					
Steering	Hydraulic power assisted steering				
Steering actuator	Double-acting hydraulic single cylinder				
Electricals					
Operating voltage	V		12 VDC, negative ground		
Alternator capacity	Z		12V, 90A		
Battery	12V 900CCA				
Headlights	2				
Work lights	2				
Operator console					
Console	Fixed				
Seat	1 fixed seat				
Braking					
Service brake	Hydrostatic				
Parking brake	Spring Applied Hydraulically Released (SAHR)				
Water spray system					
Type	Pressurized				
Spray nozzles	1 per tire				
Service capacities					
Fuel tank capacity	l	gal	102.2		27
Hydraulic oil capacity	l	gal	76.1		20.1
Water spray tank	l	gal	378.5		100
Safety					
Indicators	Warning lamps/alarms for engine				
Audio alarms	Backup alarm				
Sunshade	ROPS				
Operator restraint	Seat belt				
Switch	Centralized emergency shut down switch for machine operations				
Guaranteed Sound Level					
Operator's Ear, acc. to ISO 11203:2009	L _{PA} dB(A)		83		
External, acc. to Directive 2000/14/EC	L _{WA} dB(A)		99		

DIMENSIONS

A	mm	in	3,880	152.8
B	mm	in	2,942	115.8
C	mm	in	2,236	88.0
D	mm	in	762	30.0
E	mm	in	273	10.7
F	mm	in	3,018	118.8
G	mm	in	1,831	72.1
H	mm	in	1,732	68.2



Equipment

STANDARD EQUIPMENT

Side-console, common with T4f soil and large asphalt compactors
Volvo standard ROPS
Full suspension seat
Retracting seat belt
Seat belt alarm
Operator presence switch
External lockable fuel fill
Back-up alarm
Daily service checkpoints list
12 Volt power port
Integrated parking brake
Parking brake test function
Two stage air intake filter
Heavy-duty frame
Cocoa mat with tire scrapers

OPTIONAL EQUIPMENT

Work lights
Road lights
Front lights
Rotating beacon
Speedometer
Nylon scraper
Steel scraper
Hydraulic oil temperature sensor
Vandal protection
Special paint
Heat skirt
Tool kit
Lifetime frame guarantee





V O L V O