

Volvo Construction Equipment  
Building Tomorrow



# DD25B

Volvo Double Drum Compactors 2.6 t / 5,775 lb 24.4 hp







### 360° visibility

With an optimally positioned sliding seat, angled drum mounts and a sloping hood design, the DD25B provides industry-leading, all-around visibility. Whether rolling forwards or in reverse, the operator has a clear view of the drum edges and surroundings – delivering precise compaction and improved safety.



# Performance you can count on.

Introducing the DD25B, a highly efficient double drum compactor designed to increase performance and reduce fuel consumption on small scale compaction projects. Featuring the new Volvo D1.7A engine, this machine meets the strict Stage IV/Tier 4 Final emissions regulations without adding an exhaust after-treatment system. Experience increased machine performance and enhanced productivity with Volvo.



## High performance

With Volvo's high frequency compaction, the DD25B can travel faster while still maintaining the correct impact spacing necessary for high productivity and a smooth finish. The frequency can be adjusted from 3300 vpm to 4000 vpm to cater for different applications.



## Optimized for efficiency

The new Volvo D1.7A (18.5kW/25hp) engine effectively meets the stringent Stage IV/ Tier 4 Final emissions regulations without the cost or complexity of an exhaust after-treatment system. The optimized eccentric system ensures a powerful performance – equivalent to machines fitted with a bigger engine.



## Pressurized water system

The DD25B boasts an industry-leading water tank capacity. A rust-proof, pressurized water system provides consistent flow to the front and rear drum surfaces – eliminating asphalt pick-up. Fine filters behind each of the eight spray nozzles minimize clogging and ensure correct fan spray coverage – providing ideal wetting of the drum surface.



## Reduced fuel consumption

The Volvo D1.7A engine is perfectly matched to the DD25B's hydraulic system – delivering high performance and a 7% reduction in fuel consumption.

# The Volvo experience.

## Engine compartment

For easy maintenance access, the hinged engine hood tilts forward – providing wide access to the engine and hydraulic components at ground level.

## Water level indicator

The operator can easily monitor the water tank level from the seat.

## Intermittent water spray

The DD25B boasts an industry-leading water tank capacity. The operator can adjust the time between water sprays to the drums to conserve water and reduce refilling downtime.



## Optimized for efficiency

The new Volvo D1.7A engine delivers high performance while meeting the stringent Stage IV/ Tier 4 Final emissions regulations without an exhaust after-treatment system.

## Urethane drum wipers

Front and rear drum wipers are made of urethane – increasing effectiveness and component lifetime as well as reducing maintenance requirements.

## Auto start vibration

Vibration engages automatically when the FSR lever is moved out of neutral and disengages when the lever is put in the stop position. This eliminates the risk of accidental damage to the mat.



## Reduced fuel consumption

The Volvo D1.7A engine is perfectly matched to the DD25B's hydraulic system – delivering high performance and a 7% reduction in fuel consumption.





#### **Machined drums**

Machined drums with chamfered edges are perfectly round in order to produce a smooth, mark-free mat.



#### **360° visibility**

With an optimally positioned sliding seat and a sloping engine hood design, the operator will experience industry-leading, all-around visibility.



#### **High performance**

With Volvo's high frequency compaction, the DD25B can travel faster while still maintaining the correct impact spacing necessary for high productivity and a smooth finish.

#### **Quick removal of nozzles**

Water nozzles can be quickly removed without the need for tools – increasing machine uptime and water system performance.

#### **Maintenance-free bearings**

Maintenance-free eccentric bearings are lubricated for life and built to tolerate high temperatures and rotation speeds.



#### **Pressurized water system**

A rust-proof, pressurized water system provides consistent flow to the drum surfaces – eliminating asphalt pick-up.



# Maintain your productivity.

Volvo machines are built to last. That's why all service points on the DD25B are easy to access for fast maintenance and reduced downtime. The lightweight engine hood opens effortlessly for daily inspection. Combined with Volvo's excellent service support, your DD25B will keep you rolling longer.



## Easy-access engine compartment

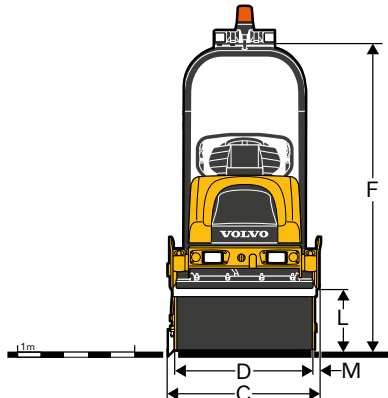
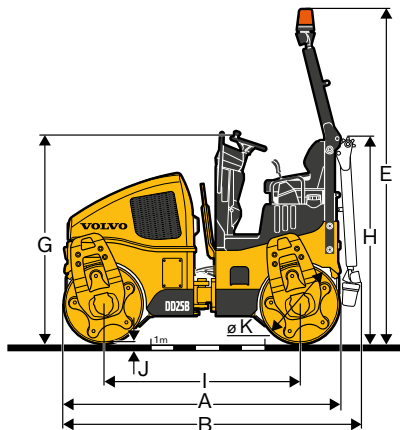
The engine hood can be easily opened for daily maintenance and inspection. The hinged engine hood design is lightweight and tilts forward with the aid of two gas struts giving wide access to the engine and hydraulic components.

## Dealer support comes standard

Your local Volvo dealer backs you and your operation with a ready supply of genuine Volvo parts that are perfectly matched to your machine. Your dealer is also ready to help you stay working with expert, trained service and support.

# Specifications.

Model				DD25B Narrow Drum		DD25B Wide Drum	
<b>Machine weights (w/ ROPS)</b>							
Operating weight	kg	lb	2 515	5,545	2 620	5,776	
Weight @ front drum	kg	lb	1 211	2,670	1 270	2,800	
Weight @ rear drum	kg	lb	1 304	2,875	1 360	2,998	
Shipping weight	kg	lb	2 359	5,201	2 470	5,445	
<b>Drum</b>							
Width	mm	in	1 000	39.4	1 200	47.2	
Diameter	mm	in	700	27.5	700	27.5	
Shell thickness	mm	in	13	0.51	13	0.51	
Finish	Machined						
<b>Vibration</b>							
Frequency	Hz	vpm	55/66.7	3,300/4,000	55/66.7	3,300/4,000	
Nominal amplitude	mm	in	0.54	0.0210	0.5	0.0197	
Centrifugal force	high	kN	37.5	8,430	40.6	9,127	
	low		25.5	5,732	27.7	6,227	
<b>Propulsion</b>							
Type	Closed-loop hydrostatic						
Drum drive	Radial piston						
Travel speed	km/h	mph	0 – 10.3	0 – 6.4	0 – 10.3	0 – 6.4	
<b>Engine</b>							
Make / model	Engine Tier 4 Final - Volvo D1.7A						
Engine type	3-cylinder diesel						
Rated power @ installed speed	kW	hp	18.2 kW / 24.4 hp @2 200 r/min				
Electrical	12 volts, 70 A alternator						
<b>Brakes</b>							
Service	Hydrostatic						
Parking secondary	Spring-applied, hydraulic release on each drum						
<b>Water system</b>							
Type	Pressurized						
Nozzles	4 per drum						
Filtration	Inlet and nozzle filtration						
Drum wipers	Spring-loaded, self-adjusting urethane wipers						
Water tank capacity	l	gal	260	69	260	69	
<b>Miscellaneous</b>							
Articulation angle					+ / - 30		
Oscillation angle					+ / - 10		
Inside turning radius (to drum edge)	mm	in	2 800	110	2 800	110	
Fuel tank capacity	l	gal	40	10.6	40	10.6	
Hydraulic oil capacity	l	gal	27	7.2	27	7.2	
Gradeability (theoretical)			%				
<b>Guaranteed Sound Level</b>							
Operator's Ear, acc. to ISO 11203:2009	L <sub>PA</sub> dB		87				
External, acc. to Directive 2000/14/EC	L <sub>WA</sub> dB		106				



DIMENSIONS	DD25B Narrow Drum		DD25B Wide Drum	
	mm	in	mm	in
A	2 420	95.3	2 420	95.3
B	2 540	100.0	2 540	100.0
C	1 090	42.9	1 290	50.8
D	1 000	39.4	1 200	47.2
E	2 955	116.3	2 955	116.3
F	2 650	104.3	2 650	104.3
G	1 870	73.6	1 870	73.6
H	2 020	79.5	2 020	79.5
I	1 720	67.7	1 720	67.7
J	13	0.5	13	0.5
K	700	27.6	700	27.6
L	490	19.3	490	19.3
M	45	1.8	45	1.8

**VOLVO**

**Volvo Construction Equipment**

[volvoce.com](http://volvoce.com)