

V O L V O



Volvo Tracked Pavers 2.5-13 m 182 kW

P8820D ABG

Volvo Construction Equipment

Go big

Experience the ultimate in paving productivity. With a 13-meter paving width, high capacity hopper and high-performance Volvo engine, the P8820D ABG is the big machine for the big jobs.

Superb stability

Tracks measuring 325mm wide and 3 120mm long provide excellent surface contact. This combines with the strong frame and components to deliver outstanding machine stability. Furthermore, the Volvo automatic track tensioner ensures advanced directional stability across all paving jobs.



Powerfully efficient

The premium Volvo engine is specifically tuned to the hydraulic system and combines high torque at low RPM for superior performance and efficiency. Further reduce fuel consumption with intelligent features such as adaptive ECO Mode, which matches engine output to jobsite requirements, giving you the power to perform.



Configured for success

In addition to asphalt paving, you can prepare your paver to succeed in a variety of specialist applications thanks to a range of available configurations. Achieve the highest levels of compaction density behind the screed in activities such as ballast paving and working with Cement-Treated Base and Roller Compacted Concrete materials.





UNLOCKING PRODUCTIVITY

Take on large paving projects with ease in the P8820D ABG, with a maximum paving width of 13-meters and paving thickness up to 300mm. A hopper capacity of 14.7t and large conveyor tunnel provide paving outputs of 1 100 tonnes per hour.

Operator's choice

Volvo pavers are industry-renowned for providing the highest levels of operator comfort, and in the P8820D ABG operators can enjoy comfortable, safe and productive working shifts with intuitive controls, excellent visibility, intelligent functions and spacious platform.

Every angle in view

Operators experience unhampered visibility thanks to the flat engine hood design, smaller electrical boxes, glazed areas to both sides of the platform, extendable seat and near-field mirrors. Six standard work lights and optional lighting kits further boost safety when working at night. The home light function illuminates the platform for three minutes after the main switch is turned on or the ignition is turned off.



Easy on the ears

Achieve high paving performance at remarkably low noise levels. By matching engine output to work requirements, the adaptive ECO Mode and optimized RPM reduce noise levels, benefitting the paving crew and local community alike. Insulated components throughout the machine offer further noise reduction.



Pave Assist

Powered by the optional Volvo Co-Pilot, Pave Assist provides a powerful set of digital tools, including Material Manager, Thermal Profiling and Weather View, which are designed to make the operator's life easier, document the paving process and enhance mat quality.



Smarter docking

Enhance paving efficiency with the optional Smart Dock. Remote controlled light bars provide visual signals to the tipper driver, helping to ensure they approach and unload into the paver hopper in the safest and most effective way. This results in less interruptions to material supply, reduced material spillage and a more consistent mat quality.





TAKE CONTROL

Take control with the Electronic Paver Management (EPM3) system. Backlit for nightshifts, all buttons are consolidated into the control system and arranged for ease of operation. EPM3 features integrated functions such as Settings Manager, which stores customized settings for individual projects to ensure consistent paving quality from job to job, and Service Interval Manager which alerts the operator to required or scheduled maintenance.

Enduring quality

Rely on the P8820D ABG for consistent paving results. Designed with a focus on quality and uptime the machine features increased auger height adjustment, automatic track tensioner, screed load device and Soft Dock options, as well as easy servicing. The result is a paver you can depend on to deliver unbeatable mat quality; shift after shift, day after day.

Optimum material flow

Building on the success of the previous generation, the P8820D ABG features an increased auger height adjustment range from 120mm to 200mm. This allows the paver to deliver optimum material flow in the auger channel for a wide range of layer thicknesses up to 300mm.



Pave with confidence

Ensure consistent high-quality results throughout the entirety of your projects thanks to the optional Volvo patented screed load device, which prevents start-off bumps when working at large paving widths. The screed tensioning device locks torsional stiffness across the length of the screed, ensuring a consistent angle of attack across the full screed width.



On the right track

For increased uptime and lower operating costs, the undercarriage includes an automatic track tensioner with hydraulic operation unique to Volvo. This provides more precise and stable steering and reduced wear, while the durable track scrapers further contribute towards a smoother surface finish.



Keep on paving

Get back to work in no time with quick and safe servicing. Improved service access to essential checkpoints via the wide-opening on top of the platform provides ease of maintenance, reduces downtime and minimizes operational costs.





SOFTER DOCKING

Avoid damage to the truck and paver when docking with the Soft Dock option, the only solution on the market which can absorb shocks and continue to oscillate at the same time. Cushioned push rollers absorb impact during docking, reducing the risk of marks behind the screed to ensure the highest levels of mat quality.

Ultimate paving results

Paving a width up to 13-meters the P8820D ABG is compatible with an extensive range of high-performance screeds, depending on your operational requirements and preferences. Featuring the Volvo quick coupling system, special profile solutions and optional hydraulically controlled end-gates, you can count on Volvo to deliver ultimate paving results.

Screed excellence

Built on decades of engineering excellence, Volvo screeds deliver the best pavement quality, uniformity and smoothness. With a paving width up to 13-meters, the P8820D ABG can be equipped with a range of Volvo screeds able to handle a variety of materials. Volvo Variomatic screeds have eight guide tubes, four on each hydraulic extension, contributing to a consistent and uniformly compacted smooth surface.



Durable tamper bars

Fully hardened and easy to maintain, you can rely on the specially-designed Volvo tamper bars to perform when it comes to achieving material target density. Depending on application and condition, choose from the single or double tamper screeds to ensure a smooth, uniform surface.



Easy extension

Change screed extensions efficiently and safely and with no special tools required, thanks to the Volvo unique quick coupling system. Assemble a 6.5-meter screed including channel plates, guide plates and auger extensions in just 55 minutes.





MAKE IT SPECIAL

The VB79/89 and VDT-V 79/89 screeds offer greater potential when needing to pave special crown profiles in the road surface, such as specific draining requirements. The extendable screeds feature two additional articulated sections which are adjustable upwards or downwards by 10% (5.7°), creating the possibility to pave irregular profiles with greater ease, less material use and at lower cost.

Big paver, big results

Pave in comfort

- Intuitive EPM3, including Settings Manager
- Low noise levels
- Storage areas for screed/paving panels and tool box
- High-visibility steps and handrails
- Pave Assist, powered by Volvo Co-Pilot (option)

Go big

- Pave up to 13 m width and 300mm thickness
- 1100 tonnes per hour
- 14.7 t hopper capacity
- Track length 3 120mm, width 325mm
- Fuel efficient Volvo engine, featuring adaptive ECO power

Faultless finish

- Ballast paving, Cement-Treated Base and Roller
Compacted Concrete compatible
- Automatic track tensioner
- 3D levelling system: plug-and-play
- Screed Load (option)
- Soft Dock (option)



See more, do more

- Flat engine hood
- Side glazed inserts & near-field mirrors
- Smaller electrical boxes for improved rear view
- Home light functionality
- Lighting kits



Uptime

- Easy access to service points
- Service Interval Manager
- CareTrack – easy machine monitoring
- Care Kits

Screed technology

- VB79/89 for all profiles, including special crown
- Durable, easy to maintain tamper bars
- Screed tensioning device
- Quick coupling system
- Hydraulic end-gates, featuring power float (option)

Volvo P8820D ABG in detail

Engine		
Manufacturer		Volvo
Model		D7E
Fuel		Diesel
Output	kW	182
	hp	247
at engine speed	r/min	2 000
Fuel tank capacity	l	250
Exhaust emission		EPA Tier3
Paving		
Output (theoretical)*	t/h	1 100
Mat thickness (max)	mm	300
Speed		
Paving (max)	m/min	20
Transport (max)	km/h	3.6
Conveyor		
Hopper capacity	t	14.7
Number of conveyors		2
Conveyor speed (max)	m/min	23
Auger		
Speed (max)	1/min	100
Diameter	mm	360
Electrical system		
Battery voltage	V	24
Weight**		
Tractor unit	kg	17 060
Max. allowable gradeability***		
Tractor unit + screed	%	12
Sound Level		
Driver's ear, according to ISO 6396 / ISO 11201		
L _{pA}	dB	84
External, according to ISO 6395 / Directive 2000/14/EC		
L _{wA}	dB	106
Vibration		
Hand-Arm vibration accord. to ISO 5349:2001	m/s ²	<2.5
Whole Body vibration accord. to ISO 2631:1997	m/s ²	<0.5

Notes

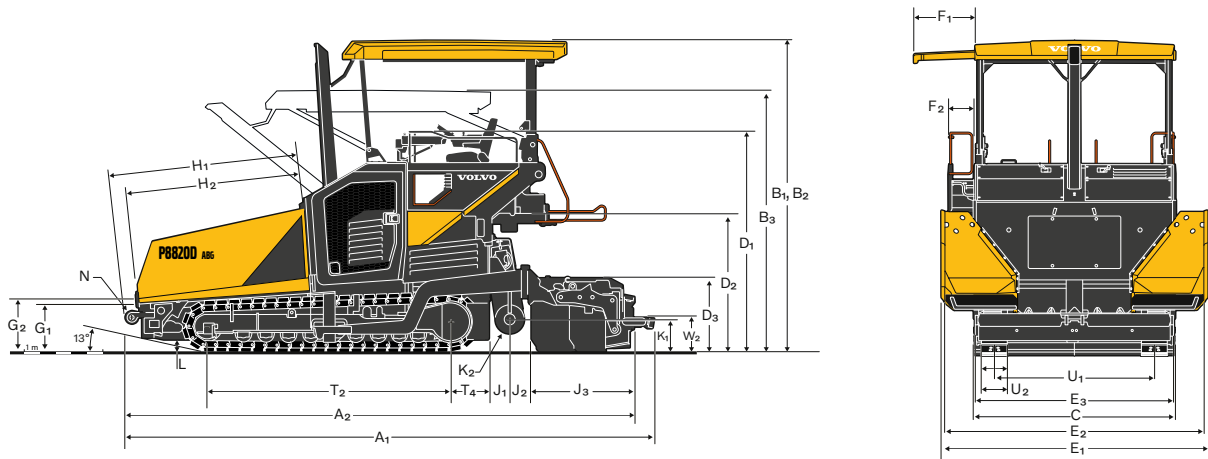
*The actual paving output depends upon the mat thickness, the paving width and paving speed and will vary according to paving conditions prevailing on your jobsite.

Please approach us and we will be pleased to assist you in calculating the paving output for your particular paving project.

**All weights are approx. weights without options. Weight of the tractor: without screed, with Front Flap hopper, with standard push roller, with generator, with fuel tank half full, inclusive 75kg driver.

***Applies to screed VB78 2.5-5.0 m. When using extensions the max. allowable gradeability will be reduced.

Specifications



Dimensions

A ₁	Operating length	mm	6 696
A ₂	Shipping length	mm	6 446
B ₁	Operating height	mm	3 952
B ₂	Height weather roof	mm	3 952
B ₃	Shipping height	mm	3 078
C	Tractor width	mm	2 548
D ₁	Height railing	mm	2 185
D ₂	Deck height	mm	1 782
D ₃	Screed height	mm	937
E ₁	Outer hopper width	mm	3 342
E ₂	Inner hopper width	mm	3 260
E ₃	Width oscillating beam	mm	2 495
F ₁	Extension weather roof	mm	770
F ₂	Seat console extension	mm	320
G ₁	Inner loading height	mm	621
G ₂	Outer loading height	mm	749
H ₁	Hopper length to push roller	mm	2 335
H ₂	Hopper length	mm	2 168
J ₁	Distance rear wall auger centre	mm	275
J ₂	Distance auger centre screed	mm	283
J ₃	Screed depth	mm	1 297
K ₁	Auger height to ground (center)	mm	422 ± 100
K ₂	Diameter auger	mm	360
L	Ground clearance	mm	166
N	Diameter push roller	mm	160
O	Conveyor width	mm	1 430
Basic screed width VB78+VB79		mm	2 500
Basic screed width VB88+VB89		mm	3 000
Extended screed width VB78+VB79		mm	5 000
Extended screed width VB88+VB89		mm	6 000
T ₂	Track length	mm	3 084
T ₄	Track distance to rear wall	mm	475
U ₁	Track gauge	mm	2 010
U ₂	Track pad width	mm	325
W ₁	Width of walkway	mm	250
W ₂	Height of walkway	mm	428

OPERATING WEIGHTS¹ OF SCREEDS²

At working width		2.5 m	5 m	6 m	6.5 m	7.5 m	8 m	8.5 m	9 m	9 m (V)	10 m	11 m	12 m	12 m (V)	13 m
VB78	kg	-	3 600	-	5 222	5 802	6 342	-	6 923	-	-	-	-	-	-
VDT-V78	kg	-	3 850	-	5 592	6 192	6 832	-	7 433	-	-	-	-	-	-
VB 79	kg	-	4 050	-	5 672	6 252	6 792	-	7 373	-	-	-	-	-	-
VDT-V79	kg	-	4 300	-	6 042	6 642	7 282	-	7 883	-	-	-	-	-	-
VB88	kg	-	-	4 050	-	5 772	-	6 352	6 892	-	7 473	-	-	-	-
VDT-V88	kg	-	-	4 450	-	6 242	-	6 842	7 482	-	-	-	-	-	-
VB89	kg	-	-	4 500	-	6 222	-	6 802	7 342	-	-	-	-	-	-
VDT-V89	kg	-	-	4 800	-	6 642	-	7 242	7 882	-	-	-	-	-	-
MB 122	kg	2 242	-	4 456	-	6 076	-	-	6 828	7 454	8 050	8 575	9 070	9 679	9 878
VDT 121	kg	2 442	-	4 903	-	6 680	-	-	7 531	8 193	-	-	10 029	10 675	10 975

¹ Including auger Extensions, Channel Plates, End Gates etc., independent of Paver

²All screeds electrically heated

Equipment

STANDARD EQUIPMENT

Engine

Volvo Diesel engine, EPA Tier 3

Drive

Electronic drive control

Lifetime lubricated crawler track rollers

Forged and hardened crawler track links

Automatic track tensioner

Material Management

Heavy push rollers

Proportional conveyor sensors

Proportional ultrasonic sensor auger control

Four individual hydrostatic drives for conveyors and augers

Heavy duty auger

Auger quick lock system

Reversible direction of auger rotation

Hydraulic auger height adjustment

Electrics and electronics

Electronic Paver Management (EPM 3)

ECO mode

Settings Manager

Service Interval Manager

Adjustable and revolving main control panel at operator platform

Two adjustable and revolving screed control panels

Battery master switch

Electric switch cabinet

MATRIS

Generator for electric screed heating

Structure

All-weather roof of GRP (glass-fiber reinforced plastic)

Two seats, laterally extendable

Anti-vandalism kit

Near field mirrors at weather roof

Volvo Green Key

Screed

Split towing arms

Screed lock

Hydraulic crown adjustment VB screeds

Quick coupling system for Vario screeds

Lights

Operator's platform lighting

Home light function

Environmental

Sound insulation

OPTIONAL EQUIPMENT

Material Management

Smart Dock

Soft Dock

Individual operating hopper wings

Hydraulically operated front apron

Proportional ultrasonic sensor auger control

Protective half shells for auger shaft

Auger extensions and additional auger bearings

Heavy duty conveyor cover

Reversible conveyor

Central lubrication

Front track scraper hydraulic

Feeder stop

Electrics and electronics

230V power sockets

Lateral emergency stop

High ambient temperature fan

CareTrack - GSM installation

CareTrack - Satellite installation

Pave Assist (Volvo Co-Pilot system)

Volvo Smart View camera system

Levelling equipment

Transport case for EPM control panels

On-board diagnostic function for manual screed heating bars

White noise alarm

Structure

Deluxe seats with heating

Front windscreen

Tarpaulin side curtains for weather roof

Custom colours

Electrohydraulic powered weather roof

Front ballast weight

Screed

Screed spacer blocks

Screed assist

Screed anti-climbing lock

Screed load device

Screed tensioning device

Hydraulic height adjustment of extendable screed

Special profiles VB79, VB89

Hydraulically adjustable Power-Float screed end gates

Heatable screed end gate

Foldable screed walkway

Lights

Basic Kit Halogen

Basic Kit LED

Work Plus Kit LED

Full Night Kit LED

Warning beacons LED

Two balloon lights LED

Environmental

High performance spray cleaning unit

Biodegradable hydraulic oil

Fume extractors

Emulsion spraying system

SELECTION OF VOLVO OPTIONAL EQUIPMENT

LED light package



Screed load device



Fume extractors



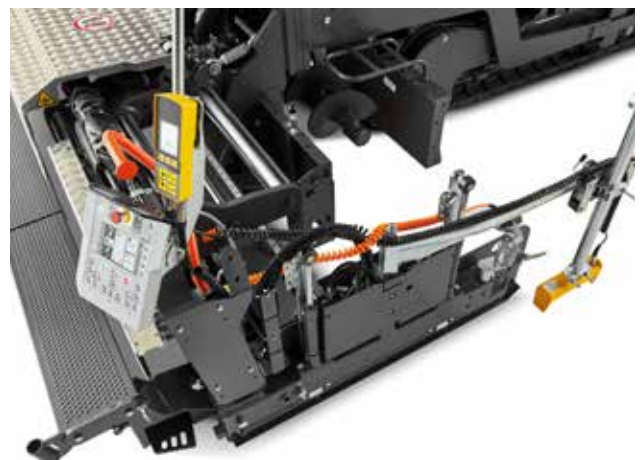
Integrated leveling



Powered weather roof



Hydraulic end-gates



Not all products are available in all markets. Under our policy of continuous improvement, we reserve the right to change specifications and design without prior notice. The illustrations do not necessarily show the standard version of the machine.

V O L V O