

VOLVO DOUBLE DRUM COMPACTORS

SMALL ASPHALT COMPACTORS



MORE CARE. BUILT IN.



HIGH PERFORMANCE IN A SMALL PACKAGE



Volvo Construction Equipment incorporated its global experience into the development of the tandem vibratory compactors DD14S to DD38 HF. With a high performance capacity, long working cycles and extensive fittings, Volvo's compact rollers afford the contractor clear benefits in terms of productivity and maintenance costs.

Fields of application

Volvo's light to medium-heavy tandem vibratory rollers with operating weights of 1.5 t to 3.8 t perfectly match your demands in asphalt compaction. However, they can also roll sand and gravel as well as small-grain crushed aggregate and no-slump concrete.

Compact and manoeuvrable

The compact rollers show their particular strength when operating in confined spaces. The large lateral clearance of the drums permits operation directly at the kerb and against walls. And with their small turning radius the rollers offer versatile application on very small building sites.

Operation convenience and safety

In the design of the rollers we placed special emphasis on the convenience and safety of the operator. The vibration isolated operator platform and the ergonomic layout of all control elements contribute to the great operating convenience.

The DD22 and DD24 can be mounted safely from both sides of the machine thanks to two hand rails. Comprehensive safety features - seat safety switch, roll over protective structure (ROPS), and emergency stop - offer the driver all-round protection in every situation.

High efficiency

The small double drum family is characterized by an ideal combination of drum diameter, centrifugal force, frequency, and amplitude.

With large water and fuel tanks, the rollers permit long working cycles and therefore outstanding productivity.

Variable vibration system

Depending on the application, the operator can choose between three vibration choices: static compaction, vibration on the front drum only or on both drums (apart from DD14S).



INTELLIGENCE

INTELLIGENCE noun:

- the ability to comprehend.
- to understand and profit from experience.
- having the power to bring into being.



EXPERTS FOR EFFICIENT ASPHALT COMPACTION

DD14S, DD16

Even the most compact of our tandem vibratory rollers have a very high vibration frequency, the same high frequency found in larger models. This affords them an extraordinarily high working speed and productivity.

DD22, DD24

Even in the basic version, the DD22 and DD24 offer wide-ranging equipment features:

- Two vibration frequencies for compacting different substrates - rare in this machine class
- Large-capacity water tank for long working cycles
- Multifunctional display with integrated hour meter, warning and control lights
- A central lifting lug for easier loading

DD31HF, DD38HF

Both models are designed for all-day operations. The large-capacity fuel and water tanks permit long, uninterrupted working cycles. The standard equipment includes a pressurized sprinkler system with automatic cut-out and flow control as well as a dual filter system.

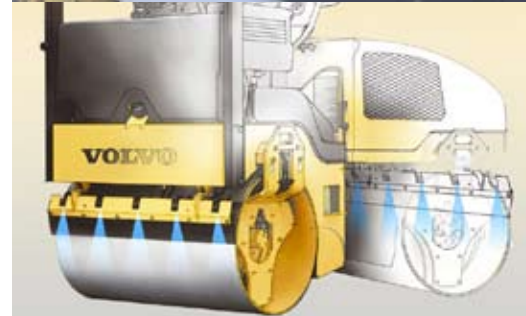
Easy maintenance and long service life

- All maintenance and daily checkpoints are easily accessible thanks to the easy-to-lift engine hood.
- Maintenance work can be performed from the ground.

Useful options*

- Anti-slip control (ASR) thanks to hydraulic flow dividers
- Interval sprinkling to suit requirements, thus prolonging the working cycle
- Offset drum feature up to ± 50 mm permits sensitive steering along curbstones as well as the precise use of an edge cutter and edge compactor
- Edge cutter and edge compactor attachment for clean edges
- Additional working lights
- Warning beacon

* not all options are available for every model



TRUST

Trust noun:

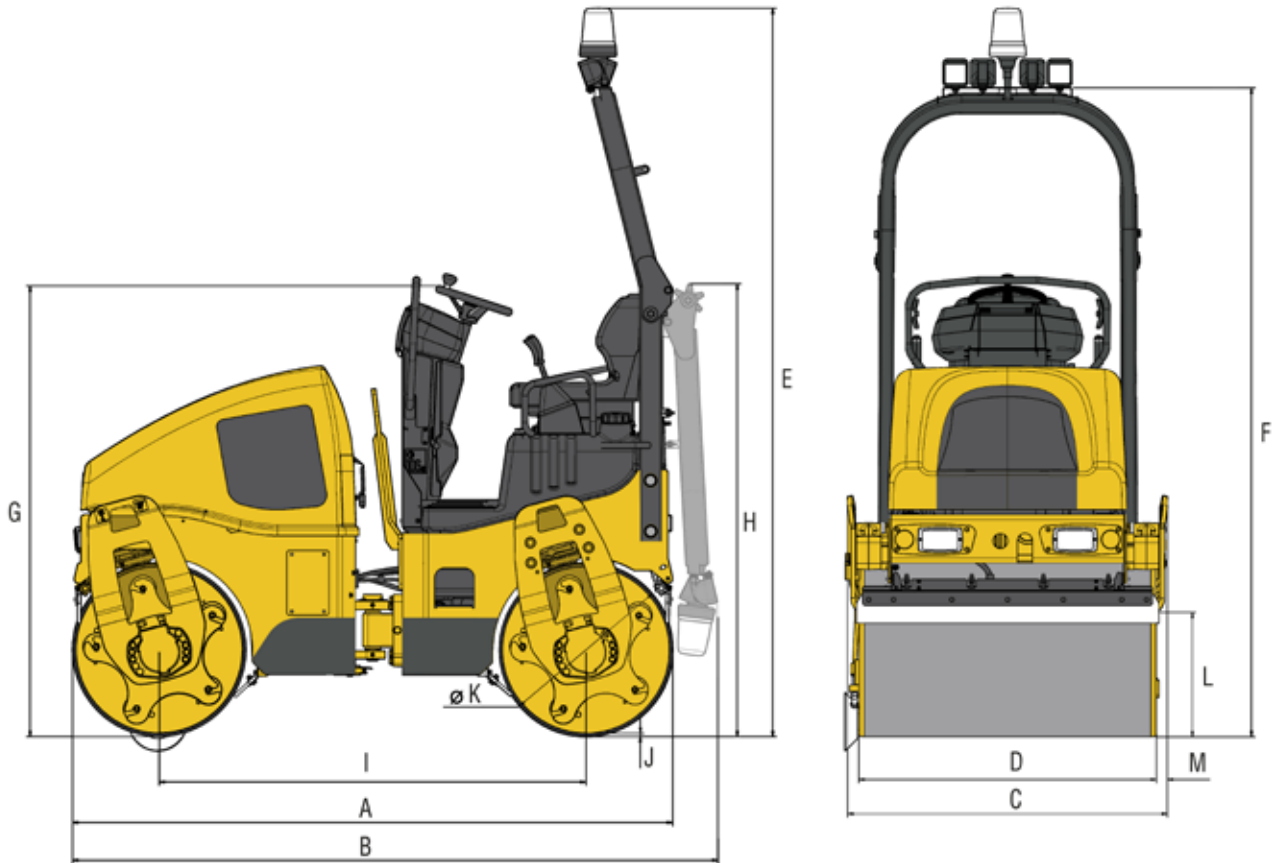
- complete confidence in a person, organization, plan etc.
- to rely on.

SPECIFICATIONS

Model		DD14S	DD16	DD22	DD24	DD31HF	DD38HF
Machine Weight (incl. ROPS)							
Operating Weight (EN 500-1)	kg	1 545	1 649	2 450	2 600	3 107	3 780
Static Weight @ Front Drum	kg	710	741	1 225	1 300	1 412	1 748
Static Weight @ Rear Drum	kg	835	908	1 225	1 300	1 695	2 032
Static Linear Load @ Front Drum	kg/cm	7.89	7.41	12.25	10.83	11.30	12.72
Static Linear Load @ Rear Drum	kg/cm	9.28	9.08	12.25	10.83	13.56	14.78
Shipping Weight	kg	1 369	1 473	2 300	2 450	2 875	3 548
Drum							
Width	mm	900	1 000	1 000	1 200	1 250	1 375
Diameter	mm	560	560	700	700	736	739
Vibration							
Frequency	Hz	66.7	66.7	55 / 67		70	
Centrifugal Force	kN	15.6	17.8	25/37	28/40	36	36
Nominal Amplitude	mm	0.37	0.40	0.53	0.53	0.38	0.33
Vibrating Drums		front only		both drums or front only			
Propulsion							
System Type		Closed loop, hydrostatic		Closed loop, hydrostatic		closed loop, hydrostatic, TwinLock	
Speed - forward & reverse	km/h	0 - 6.3		0 - 10		0 - 10	
Max. Gradeability (theoretical)	%	33.5	32.5	40	40	49	38
Engine							
Make & Model		Kubota D722, 3 cylinder Diesel		Cummins A1700, 3 cyl. Diesel		Kubota V2203M, 4 cyl. Diesel	
Rated Power	kW	12.6 @ 3 000 1/min		24 @ 2 500 1/min		32.8 @ 2 450 1/min	
Cubic Capacity	cm ³	719		1 700		2 197	
Cooling System		Liquid		Liquid		Liquid	
Brakes							
Service		dynamic hydrostatic through propulsion system					
Parking/Secondary		Spring-applied, hydraulically released on each drum drive					
Steering							
Design		Centerpoint articulation					
Articulation Angle		+/- 34°		+/- 30°		+/- 30°	
Turning Radius (outside)	mm	2 740	2 790	3 800	3 900	3 847	3 907
Water System							
System		Pressurized		Gravity/Pressurized (opt.)		Pressurized	
Pump		Electric, diaphragm		-		Electric, diaphragm	
Tank Capacity	l	197		225 (260 interval-pressurized system)		299	
Drum Wipers		Spring-loaded, self-adjusting, neoprene wipers					
Electrics							
Battery		12 Volt, 800 CCA					
Capacity		40 A		45 A		40 A	
Miscellaneous							
Fuel Tank Capacity	l	29.5		40		68	
Hydraulic Oil Tank Capacity	l	34.1		27		84.8	
Oscillation Angle	°	+/- 10		+/- 10		+/- 10	

Product improvement is a continuing goal at Volvo. Designs and specifications are subject to change without notice or obligation.

DIMENSIONS



	A	B	C	D	E	F	G	H	I	J	K	L	M
DD14S	2 035	2 135	1 018	900	2 666	2 240	1 534	1 759	1 400	12	560	440	49
DD16	2 035	2 135	1 085	1 000	2 666	2 240	1 534	1 759	1 400	12	560	440	42
DD22	2 420	2 543	1 090	1 000	2 931	2 624	1 909	2 024	1 720	13	700	490	45
DD24	2 420	2 543	1 290	1 200	2 931	2 624	1 909	2 024	1 720	13	700	490	45
DD31HF	2 556	2 661	1 363	1 250	2 814	2 662	1 826	1 975	1 725	14	736	615	57
DD38HF	2 556	2 661	1 485	1 375	2 816	2 664	1 828	1 977	1 725	16	739	615	57

STANDARD FEATURES / OPTIONAL EQUIPMENT

Standard (S) Option (O)	DD14S	DD16	DD22	DD24	DD31HF	DD38HF
Isolated operator platform	S	S	S	S	S	S
Individually adjustable operator's seat	S	S	S	S	S	S
Sliding seat	-	-	O	O	S	S
Sliding seat with dual levers	-	-	O	O	-	-
Foldable ROPS set	O	O	O	O	O	O
Hydrostatic travel drive on front & rear drum	S	S	S	S	S	S
Differential lock	-	-	O	O	-	-
Spring-loaded, self-adjusting wipers front & rear	S	S	S	S	S	S
Inside scraper	O	O	O	O	O	O
Dual vibration frequency	-	-	S	S	-	-
Front drum vibration	S	-	-	-	-	-
Double drum vibration or front drum vibration only	O	S	S	S	S	S
Auto-vibration	-	-	S	S	S	S
Vibration control through drive lever	S	S	S	S	S	S
Maintenance-free eccentric bearings	-	-	S	S	-	-
Drum offset articulation joint 50 mm	O	O	O	O	-	-
Warning beacon	O	O	O	O	O	O
Gravity feed water system	S	S	S	S	-	-
Pressurized water system	O	O	-	-	S	S
Pressurized water system with interval flow control	-	-	O	O	-	-
Water strainer	O	O	-	-	O	O
Edge compactor and cutter	-	-	O	O	O	O
Additional work lights	O	O	O	O	O	O
Turn and hazard signals	O	O	O	O	O	O
Audible back-up alarm	O	O	O	O	O	O
Multifunctional display	-	-	S	S	O	O
Low fuel alarm	O	O	O	O	O	O
Vandal cover	-	-	S	S	O	O
Biodegradeable hydraulic oil	O	O	O	O	O	O

Partial listing of standard equipment and available options

Strength noun:

- the quality or state of being strong.
- ability to do or bear.
- capacity for exertion or endurance.
- power to resist force

STRENGTH



Volvo Construction Equipment is different. Our machines are designed, built and supported in a different way. That difference comes from an engineering heritage of over 175 years. A heritage of thinking first about the people who actually use the machines. About how to help them be safer, more comfortable, more productive. About the environment we all share. The result of that thinking is a growing range of machines and a global support network dedicated to helping you do more. People around the world are proud to use Volvo. And we're proud of what makes Volvo different – **More care. Built in.**



Not all products are available in all markets. Under our policy of continuous improvement, we reserve the right to change specifications and design without prior notice. The illustrations do not necessarily show the standard version of the machine.

VOLVO

Volvo Construction Equipment
www.volvo.com

Ref. No. VOE21A1004768
Printed in Sweden 2008-06-4,0
Volvo, Hameln

English
RM