

Suburban Paver SERIES 2 Towing Attachment



BLAW-KNOX

*Construction Equipment Division
Mattoon, Illinois*

**AP-150
PRODUCT
SHEET**

Travel speed increased by installation of towing kit...



BLAW-KNOX SUBURBAN PAVER, SERIES 2, EQUIPPED WITH TOWING ATTACHMENT, HITCHED TO ASPHALT DUMP TRUCK AND READY TO BE TOWED.

ADAPTABLE

The Towing Kit can be readily mounted on any PF-45 or Suburban Paver in the field except those with dual rear wheels installed.

EASILY MOUNTED

Tow bar mounted to machine by inserting two pins. Free-wheeling hubs are disengaged by removing 3 bolts from each wheel. Hitch to truck with a third pin and machine is ready to tow -- in minutes!

MOBILE

An average 2-ton truck can easily attain the maximum recommended towing speed of 30 m.p.h. Tire pressure must be at least 55 psi for towing over 15 m.p.h.

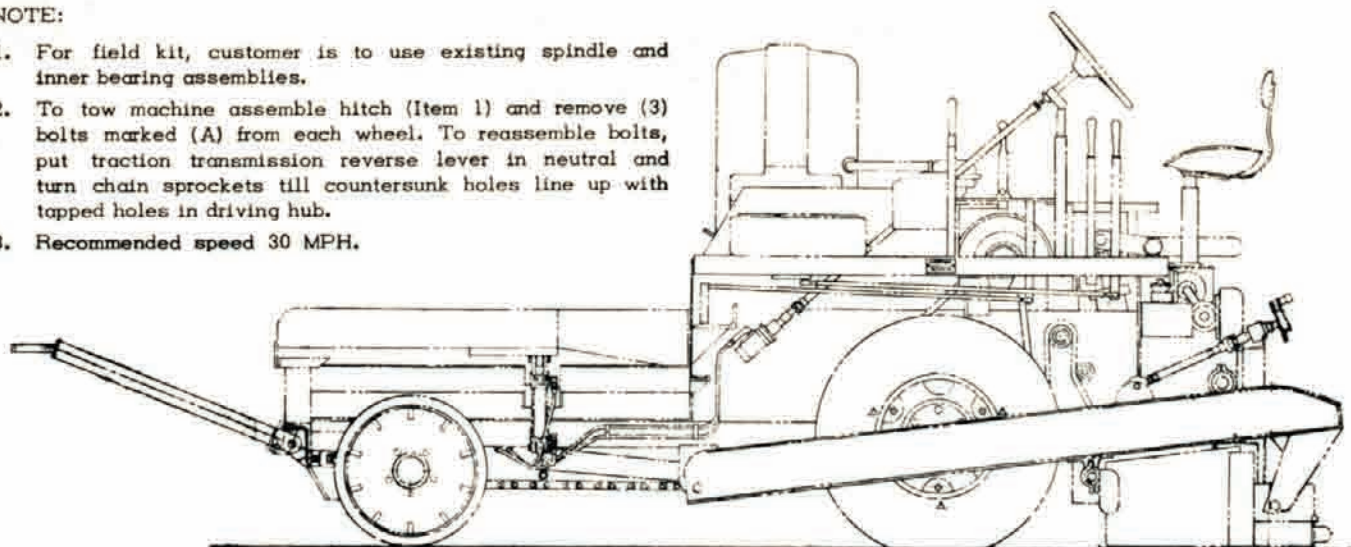
EASILY REMOVED

Take out two pins to remove tow bar. Put traction transmission lever in neutral position. Then the drive sprocket can be turned till the countersunk holes line up with the tapped holes in the drive flange.

SUBURBAN PAVER Series 2 - TOWING ATTACHMENT

NOTE:

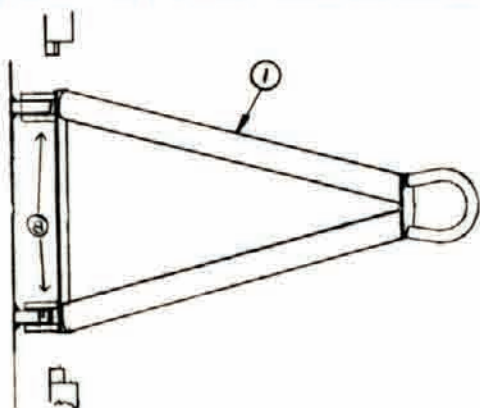
1. For field kit, customer is to use existing spindle and inner bearing assemblies.
2. To tow machine assemble hitch (Item 1) and remove (3) bolts marked (A) from each wheel. To reassemble bolts, put traction transmission reverse lever in neutral and turn chain sprockets till countersunk holes line up with tapped holes in driving hub.
3. Recommended speed 30 MPH.



Drawing of Suburban Paver, Series 2, with Towing Kit installed.

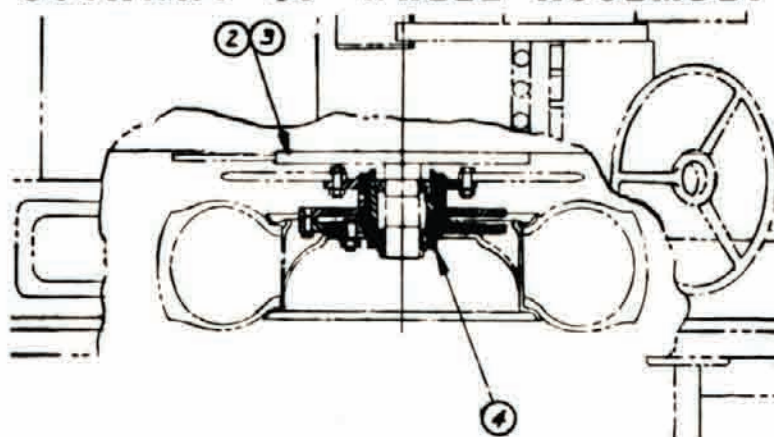
REF. NO.	DESCRIPTION	PART NO.
1	Tow Hitch Assembly	74213
2	Rear Wheel Assembly, L. H.	74218
3	Rear Wheel Assembly, R. H.	74218
4	Free Wheeling Kit	74220
	Complete Towing Kit (Factory Installation)	65246
	Complete Towing Kit (Field Installation)	65247

TOW HITCH ASSEMBLY



Note (B) this attaches with 2 pins held by hair pin keys.

CUTAWAY OF WHEEL ASSEMBLY



Shows rear wheel assembly (2, 3) and free wheeling kit (4).

Note: In order to constantly improve its products, Blaw-Knox Co. reserves the right to change the above specifications without notice.