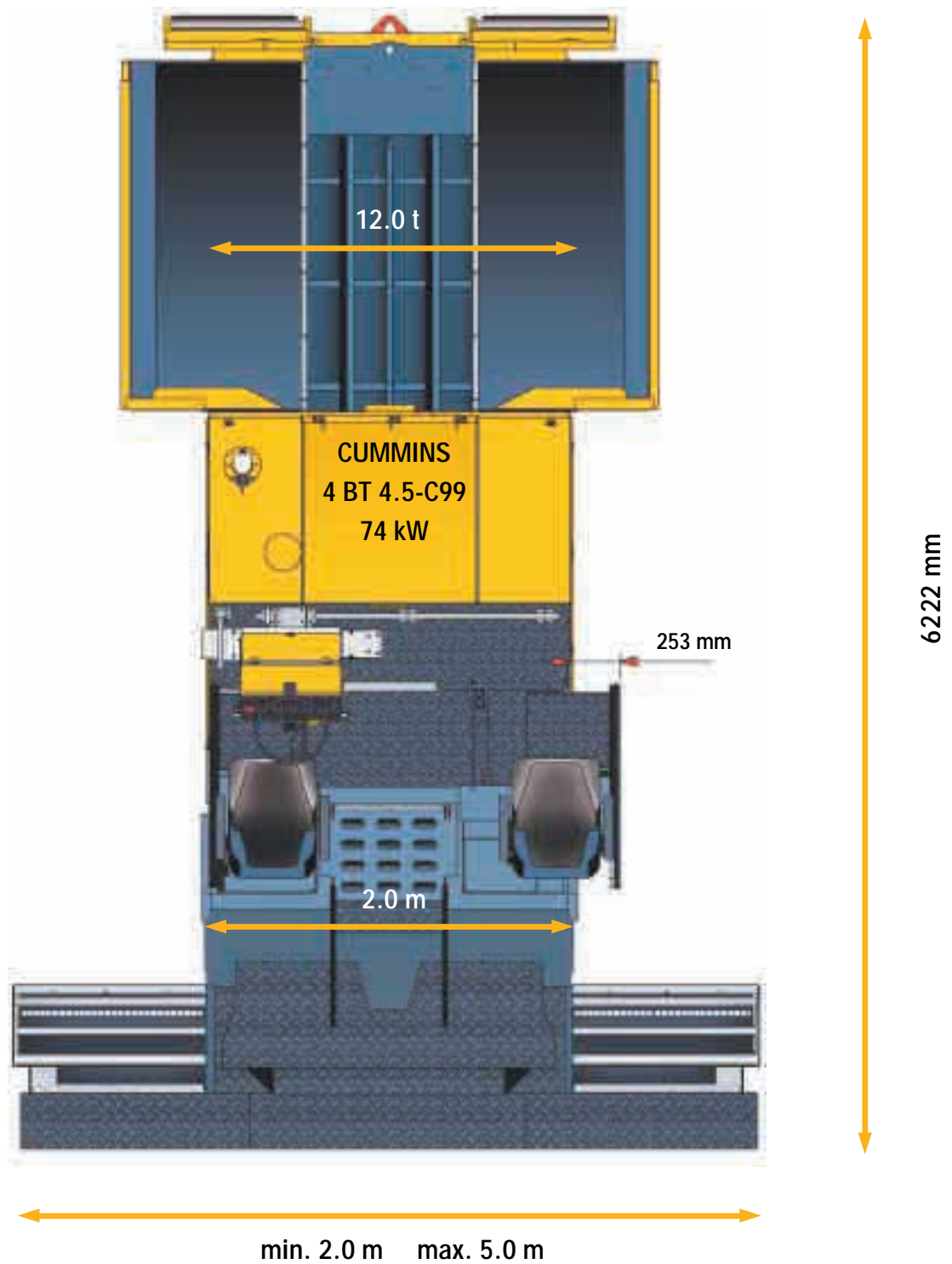


VB 50 Gas

2.0 - 4.0 m = 12.9 t

5.0 m = 13.1 t



max 350 t/h
max 18 m/min



max 300 mm

max 18 km/h



max 5.0 m



© 2004 IR-ABG Form #35 - 0304 CPN 80704794
Machines may be illustrated with extras. Specifications are subject to alteration without prior notice.



Allgemeine Baumaschinen-
Gesellschaft mbH
Kuhbrückenstraße 18
31785 Hameln
www.ir-abg.com

An  **Ingersoll-Rand** business

tel. +49 (0) 5151/ 209-0

fax +49 (0) 5151/ 209-204