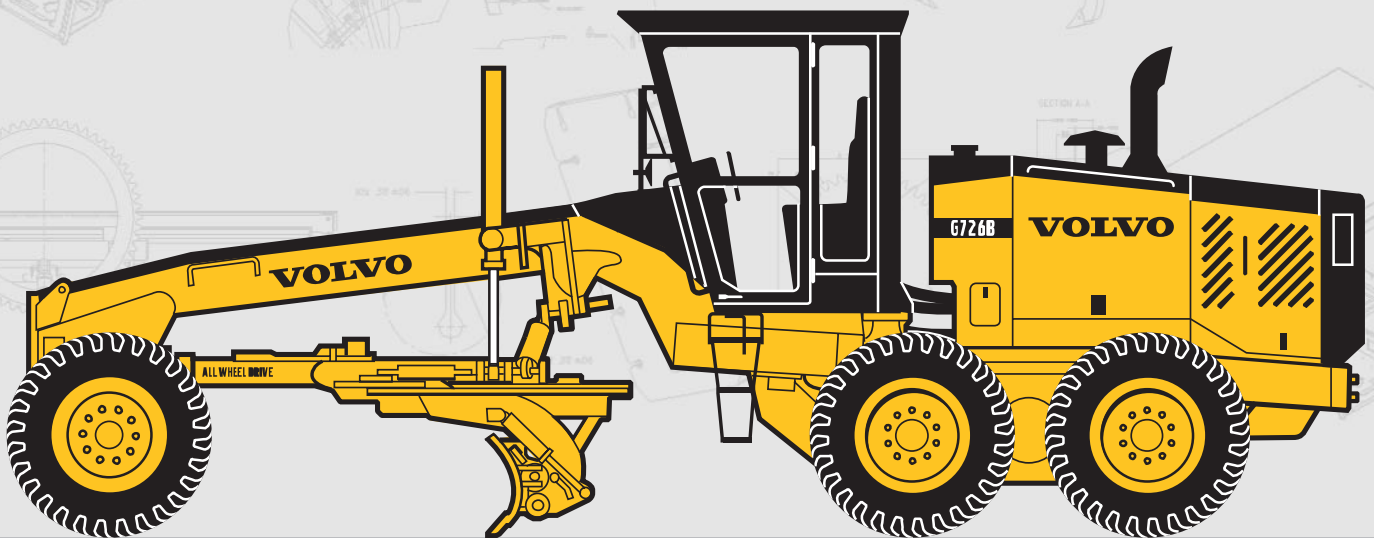


VOLVO MOTOR GRADER

# G726B

ALL WHEEL DRIVE



- **Configuration:** Articulated frame
- **Engine model:** Volvo D7DGDE2
- **Maximum net engine output @2200 RPM (per SAE J1349):** 148 - 175 kW (198 - 235 hp)
- **Base weight:** 16 057 kg (35,400 lb)
- **Blade down force:** 8 099 kg (17,854 lb)
- **Blade pull:**  
All Wheel Drive – 14 116 kg (31,121 lb)  
Tandem – 10 261 kg (22,621 lb)
- 8400 fully sequential direct drive powershift transmission
- Choice of fully enclosed, ROPS cab in full height or low-profile configuration, or ROPS canopy
- Moveable Blade Control System
- Load-sensing, Closed Center Hydraulic System
- Fully adjustable control pedestal with low effort hydraulic controls
- Full front and rear frame sections designed for attachment mounting
- Engine cooling module with efficient, variable speed, hydraulically-driven cooling fan
- Single lever “Smart Shifter” transmission control with gear memory feature
- Separate hydraulic pump and speed sensor for each front wheel motor
- Variable aggression for job matching
- Maintains aggression at both front wheels through turns
- Creep feature allows hydrostatic drive at front wheels from 0-2.0 mph (0-3, 2 km/h) for optimum fine grading
- Wheel motor efficiencies maintained in both forward and reverse
- AWD available at speeds up to 20.2 mph (32,5 km/h)
- Equipped with the fuel-efficient, long life Volvo engine that complies to the EPA Tier II, EU Stage II emission standards

**VOLVO**



## OPERATING WEIGHT

Weights shown include full cab with ROPS, all operating fluids and operator.

### Base

Total	16 057 kg (35,400 lb)
On front wheels	4 657 kg (10,266 lb)
On rear wheels	11 401 kg (25,134 lb)

### Typically equipped operating weight:

includes 17.5 x 25, 12 PR, G-2 tires on 356 mm (14") rims and 4 267 x 635 x 22 mm (14' x 25" x 7/8") moldboard and scarifier.

G726B	17 119 kg (37,740 lb)
Maximum combined capacity	21 546 kg (47,500 lb)
Maximum weight - front	7 575 kg (16,700 lb)
Maximum weight - rear	14 243 kg (31,400 lb)

Weight adjustments for various options are listed at the rear of the brochure.

Note that adding weight and attachments to the base grader may necessitate a tire upgrade since the maximum weight capacity of the tire may be exceeded.



## PRODUCTIVITY

Blade pull at base weight (no wheel slip, 0.9 traction co-efficient) 14 116 kg (31,121 lb)

Tandem-Maximum blade pull (no wheel slip, 0.9 traction co-efficient) tandem only 10 261 kg (22,621 lb)

Blade down force

• cutting capability (ISO 7134) 8 099 kg (17,854 lb)

Blade down force is the maximum downward force which may be applied at the cutting edge.



## ENGINE DATA

### G726B

Make/Model Volvo D7DGDE2

Type 4 Cycle, Turbocharged, Aftercooled

No. of cylinders In-Line 6

Bore & stroke 108 x 130 mm (4.25" x 5.11")

Displacement 7,1 l (436 cu in)

Maximum net engine output @ 2200 RPM (per SAE J1349) 148-175 kW (198-235 hp)

Rated gross brake horsepower @ 2200 RPM

• Gears forward 1, 2 and Reverse 1 153 kW (206 hp)

Rated gross brake horsepower @ 2200 RPM

• Gears forward 3-8 and Reverse 2-4 180 kW (241 hp)

Rated net brake horsepower @ 2200 RPM

• Gears forward 1, 2 and Reverse 1 148 kW (198 hp)

Torque @ 1100 RPM 900 N.m (664 lb.ft)

Torque rise 35%

Rated net brake horsepower @ 2200 RPM

• Gears forward 3-8 and Reverse 2-4 175 kW (235 hp)

Torque @ 1400 RPM 1 050 N.m (774 lb.ft)

Torque rise 34%

Rated net brake horsepower @ 2200 RPM

• All gears 180 kW (241 hp)

Rated net brake horsepower @ 2200 RPM

• All gears 175 kW (235 hp)

Torque @ 1400 RPM 1 050 N.m (774 lb.ft)

Torque rise 34%

Performance: Rated net brake horsepower SAE standard J1349/ISO 3046-2 conditions with water pump, fuel system, air cleaner, muffler, alternator, cooling fan and lubricating oil pump.

Engine complies to EPA Tier II, EU Stage II exhaust emission standard.

Engine cooling system designed with singular cooler installations, and utilizes a highly efficient, variable speed, hydraulically-driven cooling fan.

Engine equipped with a two stage, dual element, dry type air cleaner with exhaust aspirator and service indicator. 24 volt starting and electrical system with 1920 watt (80 amp) brushless alternator with internal voltage regulator. Two heavy-duty, 12 volt, maintenance free batteries with 950 cold cranking amps (CCA) and 160 minutes reserve capacity per battery. 1300 CCA batteries available optionally. System includes battery disconnect.



## TRANSMISSION

Make/Model Volvo 8400

Fully sequential, direct drive, powershift transmission. Engine cannot be started if transmission is in gear. Single lever "Smart Shifter" electronic transmission controller provides self-diagnostics. The flywheel mounted, multi-disc master clutch is oil-cooled and lubricated for long life.

Ground speeds at 2200 RPM with standard tires:

Forward Gears	km/h	mph	Reverse Gears	km/h	mph
1	4,4	2.8	1	4,4	2.8
2	6,2	3.9	2	8,5	5.3
3	8,5	5.3	3	16,9	10.5
4	11,9	7.5	4	32,7	20.4
5	16,9	10.5			
6	23,6	14.7			
7	32,7	20.4			
8	45,7	28.5			

Transmission guard is standard equipment and is hinged for easy access.

Perma Lube U joints on the input/output drive shafts.



## DIFFERENTIAL / FINAL DRIVE

Make/Model Volvo SR30

Single reduction final drive with an operator controlled lock/unlock differential. Rear axles are induction hardened, supported on double row spherical roller bearings.



## TANDEMS

Robotically welded, tandem case with internal gusseting for maximum torsional strength. Field-proven split ring/flanged sleeve tandem mounting and 25 mm (1") thick inner wall resists flexing from side loading during severe applications.

Depth 622 mm (24.50")

Width 210 mm (8.25")

Thickness • inner wall 25 mm (1.00")

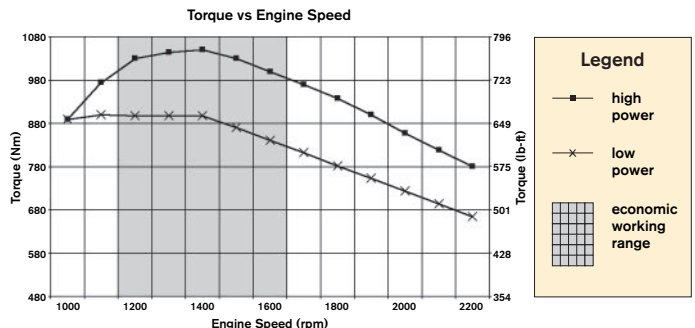
• outer wall 19 mm (0.75")

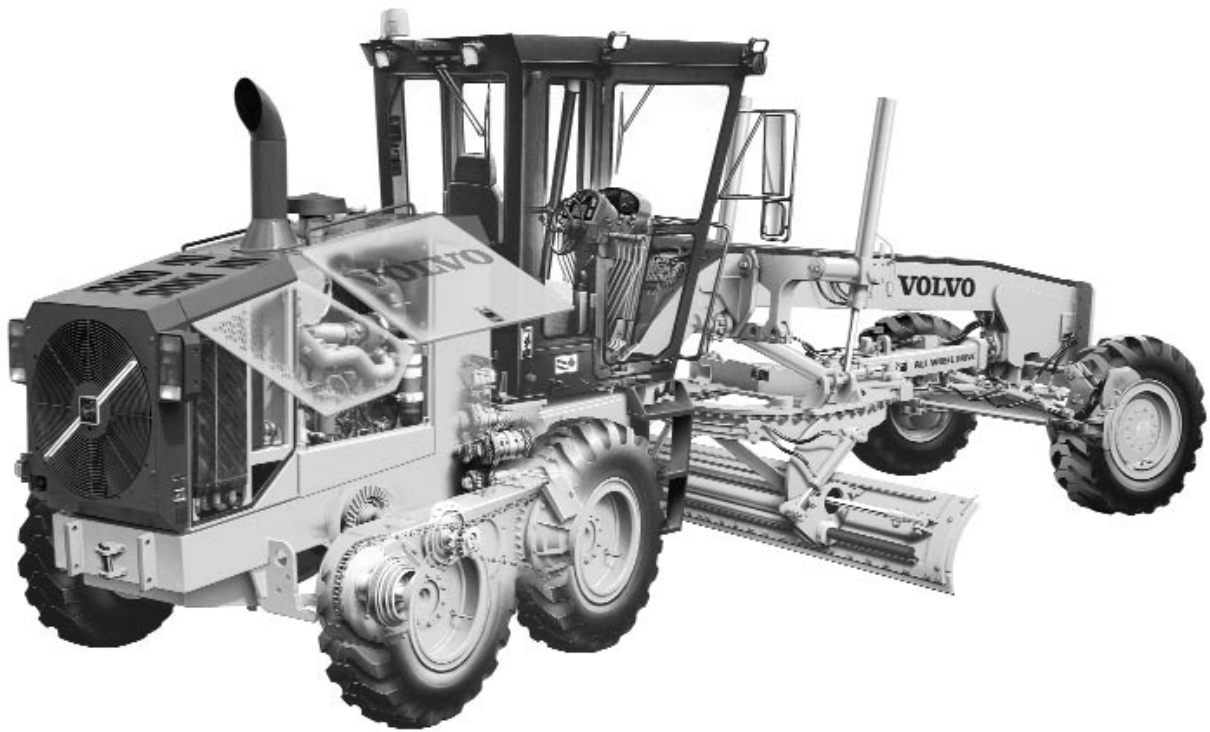
Center distance 1 562 mm (61.50")

Drive chain pitch 51 mm (2.00")

Oscillation ±15°

## ENGINE PERFORMANCE CURVE





## BRAKES

**Service Brakes:** Foot operated

Fade resistant, hydraulically actuated, wet multiple disc service brakes located at the four tandem drive wheels are self-adjusting, fully sealed and maintenance free. System features crossover dual braking circuits for uniform braking on both sides of the grader. Includes reserve power assist and operator warning system (visual and audible).

**Parking Brake**

Spring applied hydraulic release independent, disc-type parking brake on transmission output shaft and effective on all four tandem drive wheels. Includes visual and audible operator warning system for parking brake on, transmission in gear condition. Transmission will not engage with park brake on.

Braking systems comply to SAE Recommended Practice J1473 OCT. 90, and J1152 APR. 80; ISO 3450-1993-01-28. Volvo uses asbestos-free brake components.



## WHEELS AND TIRES

Tire size . . . . . 14.00 x 24, G-2  
 Ply rating (PR) . . . . . 12  
 Rim size . . . . . 254 mm (10.0") Three piece rim  
 Bolt-on rims are not interchangeable between front and rear. One piece rim available.



## FRONT AXLE

Type: Robotically welded steel truss, gusseted for torsional strength, oscillates on a single 80 mm (3.15") diameter center pivot pin.

Wheel lean . . . . . 18° R & L  
 Oscillation . . . . . 16° up and down  
 Ground clearance . . . . . 610 mm (24.0")

Two 76 mm (3") diameter wheel lean cylinders with lock valve are standard equipment.



## All Wheel Drive

The Volvo high torque All Wheel Drive System incorporates two variable displacement, closed loop piston pumps. The Volvo AWD design automatically adjusts hydraulic flow and pressure to the drive system to match tandem wheel speeds in all tractive conditions. Each front wheel is independently powered by a 2 speed motor. Each motor is controlled by its own speed sensor and pump. The All Wheel Drive System is controlled by the operator through a positive On/Off switch as well as a 16 position variable aggression dial. The front wheel speed sensors will always match front wheel speed to tandem wheels speed relative to the level of aggression selected by the operator. This provides optimum job matching in all tractive conditions. When AWD is selected, the engine will deliver maximum VHP horsepower regardless of the working gear being used.

Typical operating pressure . . . . . 206 Bar (3,000 psi)  
 Maximum operating pressure . . . . . 344 Bar (5,000 psi)  
 Minimum operating pressure . . . . . 34 Bar (500 psi)  
 Top speed . . . . . 32.7 km/h (20.4 mph)  
 Creep Mode speed . . . . . 0-3.2 km/h (0-2 mph)  
 Maximum rim pull . . . . . 3 856 kg (8,500 lb)

The Volvo high torque All Wheel Drive System operates in forward gears 1-7 and reverse gears 1-4. The operator may shift from 7th AWD into 8th and back to 7th AWD at any time for maximum high speed performance.

In addition, the Volvo system provides the operator with the ability to fine grade in Creep Mode using only hydrostatic front wheel drive.

The Volvo high torque All Wheel Drive System offers infinite speed control below 3,2 kh/h (2 mph) for fine grading as well as a top speed of 32,5 km/h (20.0 mph) for snow plowing.

The AWD controller is integral with the electronic 8400 transmission controller, thereby supplying the same diagnostic features found in the Volvo 8400 transmission. Volvo AWD motors maintain maximum efficiency in both forward and reverse.

### Operating modes

#### All Wheel Drive or Tandem Drive

- On-Off Selection
- Creep Mode - Hydrostatic front wheel drive only for optimum control and maneuverability while fine grading.
- Manual Mode - Allows the operator to match front wheel aggression setting to specific applications.

#### AWD features

- Maximum startup torque
- Power maintained in either direction
- Smooth operation at all speeds
- Maintains front wheel aggression in turns
- One speed sensor at each front wheel
- Hydrostatic Creep Mode feature



## STEERING

Hydrostatic power steering of front wheels incorporating two steering cylinders. Meets SAE J1511 OCT. 90 with optional secondary steering.  
 Minimum turning radius using front axle steering, articulation, wheel lean and unlocked differential ..... 7 772 mm (25'6")  
 Steering arc ..... 72°  
 Frame articulation angle ..... 22°  
 Articulation lock standard.



## FRAME

Full front and rear frame sections.  
 Front: Robotically welded box section.  
 Dual sloped front frame provides excellent forward visibility.  
 Minimum dimensions of  
 box section ..... 267 x 356 mm (10.5" x 14.0")  
 Plate thickness ..... 19 mm (0.75")  
 Vertical section modulus  
 at arch ..... 1 950 cm<sup>3</sup> (119 cu in)  
 minimum ..... 1 663 cm<sup>3</sup> (101.5 cu in)  
 maximum ..... 3 474 cm<sup>3</sup> (212 cu in)  
 Linear weight - minimum-maximum ..... 159.4 - 346.0 kg/m  
 (107.1 - 232.5 lb/ft)  
 Rear: Full perimeter rear frame permits modular powertrain mounting for ease of service and is ideal for attachment mounting. Optional first user lifetime warranty on frame and articulation joint.  
 Minimum dimensions of  
 rear frame ..... 102 x 254 mm (4.0" x 10.0")  
 Plate thickness ..... 13 mm (0.5")



## ARTICULATION

Twin 114 mm (4.5") hydraulic cylinders articulate frame 22° right and left.  
 Anti-drift lock valve ensures stable operation.



## CIRCLE

Hardened teeth, cut on the outside of the circle for maximum leverage and minimum wear.  
 Circle to drawbar support is provided at nine points. Three upper circle wear plates, three adjustable clamp plates and three adjustable guide shoes combine to ensure optimum circle support and load distribution. DURAMIDE™ wear plates and bearings at the clamp and guide shoes prevent metal-to-metal contact and provide maximum service life.  
 DURAMIDE™ is a synthetic bearing material that provides long service life and reduces circle system maintenance requirements.  
 Diameter ..... 1 683 mm (66.25")  
 Thickness ..... 32 mm (1.25")  
 Adjustable guide shoes ..... 3  
 Adjustable clamp plates ..... 3  
 Upper circle wear plates ..... 3



## CIRCLE DRIVE

The Volvo dual cylinder Circle Drive System uses direct acting hydraulic power for exceptional turning and holding capability under full load. Circle Drive System uses hardened drive pinions and is protected against impact damage by an overload relief valve as standard equipment.  
 Hydraulic drive cylinders ..... 2  
 Points of leverage ..... 2  
 Rotation ..... 360°



## DRAWBAR

Fully welded box section. Narrow "T" design permits optimum visibility to the work area. Drawbar ball stud provides an adjustment to compensate for different tire sizes. Blade lift cylinder anchors are straddle mounted on drawbar to provide maximum strength and support.  
 Dimensions of  
 box section ..... 165 x 165 mm (6.5" x 6.5")  
 Plate thickness ..... 25 & 19 mm (1.0" & 0.75")



## MOLDBOARD

Standard moldboard with  
 replaceable end bits ..... 3 658 x 635 x 22 mm  
 (12' x 25" x 7/8")  
 Blade material ..... SAE 1050 high carbon steel  
 Edge: through hardened ..... 152 x 16 mm boron steel  
 (6" x 5/8")  
 Bolt spacing ..... 152 mm (6")  
 • bolt size ..... 16 mm (5/8")  
 Slide rails supported by DURAMIDE™ bearings.



## BLADE RANGE

(Dimensions shown with standard moldboard)

	LEFT	RIGHT
Reach outside tires - articulated frame	3 048 mm (120.0")	3 035 mm (119.5")
Reach outside tires - straight frame	2 019 mm (79.5")	2 007 mm (79")
Blade slide	673 mm (26.5")	673 mm (26.5")
Circle side shift	775 mm (30.5")	749 mm (29.5")
Maximum bank sloping angle	90°	90°
Blade ground clearance	445 mm (17.5")	445 mm (17.5")
Blade cutting depth	813 mm (32.0")	813 mm (32.0")
Blade tilt range	44° forward	6.5° back
Superior blade mobility permits steep ditch cutting angles and back sloping outside overall machine width.		



## CAB AND CONTROLS

All controls are located in a 90° arc forward and to the right of the operator. Enclosed cab has a fully adjustable, cloth covered suspension seat as standard and comes with a 76 mm (3") seat belt. Located forward of the operator are the engine oil pressure, coolant temperature and fuel level gauges, transmission gear indicator and a multi-function Contronic monitoring display. Located in the fully adjustable steering pedestal are the following switches: differential lock/unlock, hazard lights, combination turn signal, horn and high beam headlight. Heater and wiper/washer controls, (if equipped), lighting and accessory switches are grouped in the operator's right hand console. This console also contains the ignition key and access to the circuit breaker and fuse panel. Located to the right of the operator, above the console, are the AWD On/Off switch, a 16 position variable aggression dial and the hydrostatic Creep On/Off switch. An accelerator/decelerator foot pedal and slider type hand throttle are standard equipment. Outside mounted rearview mirrors (L&R) and a convex interior mirror are standard. Interior operator noise levels average 75 dB(A) per ISO 6394 (enclosed cab).

### Cab options

- High-capacity heater/air-conditioner c/w adjustable vents, temperature control and variable speed fan
- Lower opening front windows
- Rear windshield wipers and washers
- Lower front window wipers and washers
- Modular, 24 volt radio and cassette player
- Operator Convenience Package included with air-conditioner option (lunch box, steel vacuum bottle, cup holder and ashtray)
- 24 volt to 12 volt converter for electrical accessories or two way radio installations  
 25 or 60 amp available
- Bubble type slope meter
- Speedometer/odometer

### Full height cab with ROPS

#### Inside dimensions

Height ..... 1 880 mm (74.0")  
 Width @ controls ..... 1 422 mm (56.0")  
 Depth @ controls ..... 1 410 mm (55.5")

An optional Low-Profile Cab is available with an inside height of 1 575 mm (62"). All Volvo Grader cabs and canopies are designed to meet or exceed SAE J1040 APR. 88, ISO 3471/1-1986(E), and 86/295/EEC ROPS requirements. The seatbelt is 76 mm (3") wide and meets SAE J386 JUNE 93; ISO 6683-1981(E).

## LOAD-SENSING HYDRAULICS

Closed Center Hydraulic System senses load requirements and maintains system pressure 24 Bar (350 psi) above the load pressure.

System features industry standard control arrangement complete with low effort, feathering type, short throw levers located on a fully adjustable control pedestal.

System incorporates lock valves to prevent cylinder drift under load in the following circuits: blade lift, moldboard tilt, circle shift, wheel lean, circle turn and articulation.

Hydraulic system features include axial piston pump, pressure and flow compensated, variable displacement with high output for smooth multi-functioning.

The pump drive shaft is equipped with Perma Lube U joints.  
 Maximum pressure . . . . . 186 Bar (2,700 psi)  
 Output 2200 RPM . . . . . 0-284 lpm (0-75 U.S. gpm)  
 Filtration . . . . . 10 micron spin-on type

## CAPACITIES

	Litres	U.S. Gal.
Fuel tank . . . . .	378.5	100.0
Transmission . . . . .	38.0	10.0
Final drive . . . . .	23.0	6.0
Tandems (each) . . . . .	100.0	26.4
Hydraulic oil tank . . . . .	134.0	35.4
Coolant antifreeze protection to -50° C (-58° F) approx . . . . .	28.0	7.4
Engine oil . . . . .	32.0	8.4

## ATTACHMENTS

(Optional unless otherwise stated as standard equipment)

### Snow

Hydraulic Wing		
• high-bench . . . . .	2 177 kg	(4,800 lb)
• low-bench . . . . .	1 814 kg	(4,000 lb)
One Way Snow Plow . . . . .	1 065 kg	(2,350 lb)
“V” Snow Plow		
• 2 743 mm (9') . . . . .	1 134 kg	(2,500 lb)
• 3 042 mm (10') . . . . .	1 202 kg	(2,650 lb)

### Earth

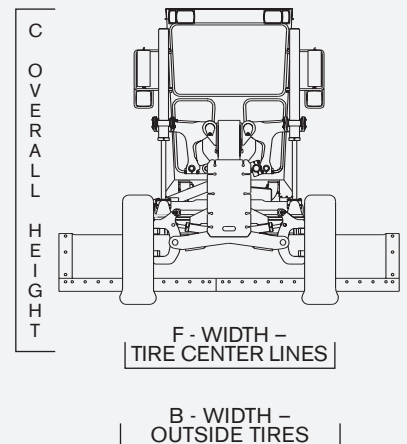
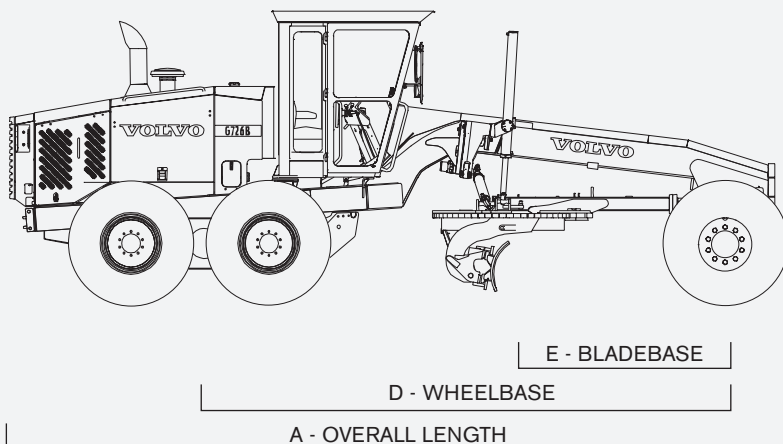
Dozer Blade		
• 2 438 mm (8') . . . . .	1 188 kg	(2,620 lb)
• 2 743 mm (9') . . . . .	1 302 kg	(2,870 lb)
Front Mounted Scarifier . . . . .	807 kg	(1,780 lb)
Mid-mount Scarifier . . . . .	782 kg	(1,725 lb)
Push Block . . . . .	510 kg	(1,125 lb)
Ripper/Scarifier, rear . . . . .	1 306 kg	(2,880 lb)

## Dimensions with standard equipment

All dimensions are approximate

- A Overall length . . . . . 9 119 mm (29'11")
- D Wheelbase . . . . . 6 096 mm (20'0")
- E Bladebase
  - ISO 7134 . . . . . 2 591 mm (8'6")

- B Overall width . . . . . 2 540 mm (8'4")
- C Overall height . . . . . 3 404 mm (11'2")
  - with Low Profile Cab . . . . . 3 099 mm (10'2")
- F Width – Tire center lines . . . . . 2 083 mm (6'10")



## STANDARD EQUIPMENT

Volvo "High Torque" All Wheel Drive with hydrostatic creep feature

Operator controlled, lock/unlock differential final drive

4 wheel, crossover, dual braking system with reserve power assist

Park brake with operator warning alarm and indicator

Fully sequential, direct drive, powershift 8400 transmission, with transmission guard

343 mm (13.5") diameter, 5 plate, oil-cooled and lubricated master clutch

Moveable Blade Control System for optimum blade mobility

Full front and rear frame sections designed to withstand shock loading of attachments

Circle drive counter-balance valve protects against impact damage

Hardened circle teeth cut on outside of circle for maximum leverage and minimum wear

Hardened circle drive pinions for maximum wear resistance

Isolation mounted cab, transmission and engine for reduced noise and vibration

Adjustable steering control pedestal with tilt head for maximum operator comfort

Gauges include: coolant temperature, engine oil pressure, fuel level, hourmeter, air cleaner service indicator, articulation angle indicator, multi-function Contronic Monitoring System with visual and audible warnings

Load-sensing, Closed Center Hydraulic System with short throw, low effort control levers.

Hydraulically operated blade lift, circle turn, moldboard slide and tilt, circle shift, wheel lean functions and articulation

Feathering type controls for precise blade adjustments

Deluxe, cloth covered, fully adjustable suspension seat when grader is equipped with an enclosed cab

378.5 l (100 U.S. gallon) fuel tank capacity

Dual leaning wheel cylinders

DURAMIDE™ wear strips on circle clamp plates and guide shoes prevent metal-to-metal contact for maximum service life

Hinged cooling module doors for easy trash clean out

Lights; backup, tail, stop and directional

Backup alarm with automatic volume levels

Painted high gloss Volvo yellow and gray

Lockable toolbox with storage space for scarifier shanks

Engine side panels complete with locks

Left and right outside rearview mirrors

Interior rearview mirror

Exhaust aspirated air cleaner

Front cab wiper and washer standard when grader is equipped with an enclosed cab

VHP - variable horsepower

## OPTIONAL EQUIPMENT *(Standard in certain markets)*

	kg	lb
Accumulators - blade lift (2) . . . . .	55	122
Accumulators - sideshift . . . . .	23	50
Air-conditioner - 35,000 BTU		
• HFC-134a (non-CFC refrigerant) . . . . .	59	130
Brush guards . . . . .	18	40
Cab		
• canopy shell with ROPS - deduct . . (284)	(625)	
• FOPS protection for ROPS cabs. . . . .	100	220
• Low-Profile Cab		
with ROPS - deduct . . . . . (122)	(270)	
Cab heater - 50,000 BTU with cab		
pressurizer and replaceable filter . . . . .	27	60
Defroster fans . . . . .	1	3
Engine block heater . . . . .	1	3
Engine precleaner - Turbo II. . . . .	3	6
First user lifetime frame warranty . . . . .	0	0
Float control, right and left detent style		
independent . . . . .	7	15
Front attachment float control, detent style,		
independent of other float valves . . . . .	7	15
Hydraulic tank heater . . . . .	1	3
24 volt radio/cassette player . . . . .	3	6
Lights		
• Beacon (amber or blue) . . . . .	4	10
• Clearance lights front & rear . . . . .	1	2

	kg	lb
• Front mounted plow lights - 2		
• high-mount . . . . .	54	120
• low-mount . . . . .	45	100
• Headlights with dimmer switch . . . . .	0	0
• Moldboards lights - 2 . . . . .	1	2
• Rear flood lights - 2 . . . . .	1	2
• Snow wing lights - 2 . . . . .	1	2
Fenders		
• Front . . . . .	36	80
• Rear . . . . .	182	400
Moldboards		
• 3 962 x 635 x 22 mm		
(13' x 25" x 7/8") . . . . .	50	110
• 4 267 x 635 x 22 mm		
(14' x 25" x 7/8") . . . . .	99	219
Moldboard extensions		
R or L - 610 mm (2') . . . . .	86	190
Moldboard edges - carbide 19 x 127 mm		
(3/4" x 5") . . . . .	-	-
100 amp alternator . . . . .	0	0
Paint - custom colors . . . . .	-	-
Polar protection . . . . .	0	0
Reflectors - side . . . . .	-	-
Remote valve for attachments		
• 3 or 5 bank - remote mount . . . . .	39	85

	kg	lb
Secondary steering (power assisted) . . . . .	43	95
Tie down brackets . . . . .	45	100
Tires		
• 17.5 x 25, 12 PR, G-2,		
356 mm (14") rims . . . . .	374	825
• Consult your Volvo dealer for full		
range of tire and wheel options		
Tool kit . . . . .	-	-
Transmission sump heater . . . . .	-	-
Low ambient fluids . . . . .	-	-
Vandalism protection . . . . .	4	8
Wheel weights for rear		
wheels only - each . . . . .	113	250
Window - opening - lower front . . . . .	-	-
Window - opening sliders - left/right . . . . .	-	-
Wiper and washer - rear . . . . .	-	-
Wiper and washer - lower front . . . . .	-	-
Rear tailgate guard . . . . .	90	200
Intermittent wipers, front and rear . . . . .	-	-

Your safety and the safety of those around you depends on using care and judgement when operating and servicing your grader. Do not operate the grader until you read and understand the warnings and instructions in the operator's manual. Volvo Motor Graders Limited is an ISO 9001 and 14001 registered company. [www.volvo.com](http://www.volvo.com)

Under our policy of continuous product development and improvement, we reserve the right to change specifications and design without prior notice. The illustrations do not necessarily show the standard version of the machine.

Consult your Volvo dealer for recommended option and attachment selection.



**Volvo Construction Equipment  
North America, Inc.**

One Volvo Drive, Asheville, NC 28803-3447  
[www.volvoce.com](http://www.volvoce.com)

Ref. No. 22 6 434 1005 English  
Printed in USA 05/05 - 5,0 GMC  
Volvo, Asheville