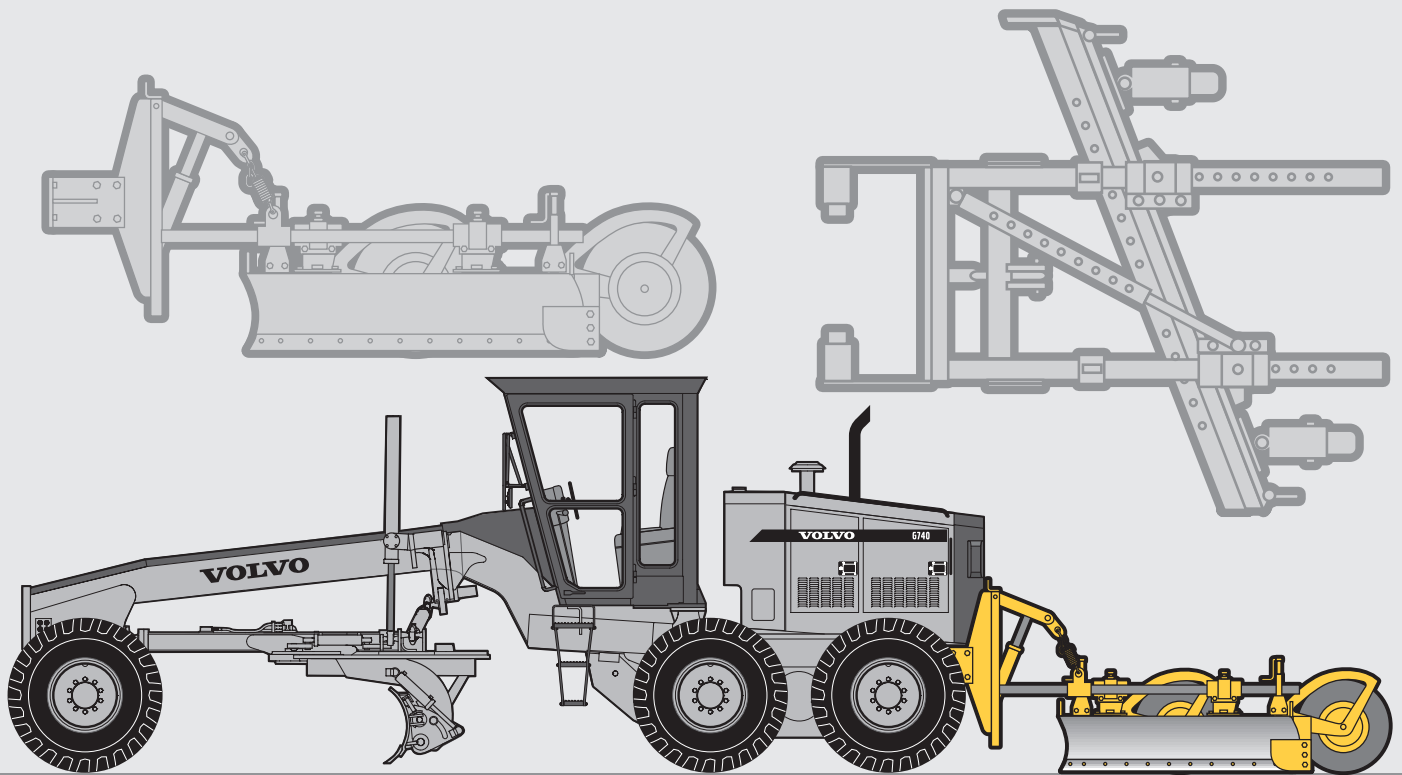


VOLVO MOTOR GRADER

WINDROW ELIMINATOR

ATTACHMENT



The Volvo Windrow Eliminator is used for one pass road surface or road shoulder maintenance. The Windrow Eliminator mounts to the rear of the grader and re-distributes the windrow from the grader moldboard eliminating a second pass, saving time and increasing efficiency.

KEY FEATURES:

- One pass shoulder maintenance
- Fully adjustable moldboard angle
- Discharge to right or left
- Reversible/replaceable end shoes

VOLVO

MODEL V013

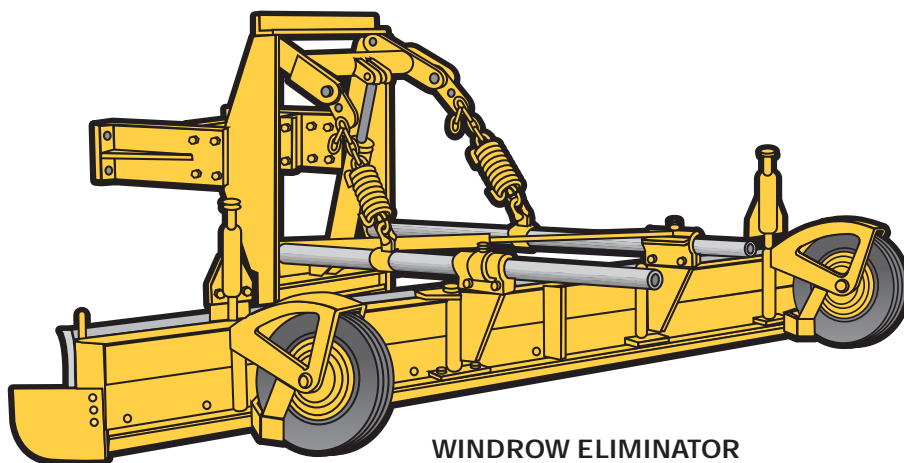
- Dimensions:

Weight	1,300 lb	(590 kg)
Blade:		
- Length	156"	(3 962 mm)
- Height including cutting edge	17"	(431 mm)
- Width of cut at 35 degree angle	126"	(3 200 mm)
- Discharge to right or left		
- End shoes interchangeable left or right		
- Blade angle range 0 - 45° left or right		
- Edges:

Standard grader edge		
SAE 1090 carbon steel		
	5/8 x 6"	(15 mm x 152 mm)
- Wheels: Tire size 4.80 x 12 tube type
Mounting swivel caster
Working height adjustment range of 6" (152 mm) by manual screw jack
- Drawbar: Dual, heavy duty tube type with sliding collar

adjustment fore/aft	24"	(609 mm)
adjustment left or right	12"	(304 mm)
- Mounted to grader frame with eight grade 8 bolts
- Hydraulic control: Double acting cylinder with lock valve. Full hydraulic control by lever on steering pedestal
- Lift cylinder with integral lock valve:

- Diameter	3"	(76 mm)
- Stroke	12.25"	(314 mm)
- SAE ports	1/2"	(13 mm)
- Maximum lift above ground: 12" (305 mm)
- Standard paint color: Volvo Gray
- Consult your dealer for hydraulic and mounting requirements



WINDROW ELIMINATOR

At Volvo, we build our own line of custom designed attachments, to increase the versatility and productivity of our graders. Volvo attachments are made by grader specialists to meet the unique performance characteristics required in grader applications.

Your safety and the safety of those around you depends on using care and judgement when operating and servicing your grader. Do not operate the grader until you read and understand the warnings and instructions in the operator's manual. Volvo Motor Graders Limited is an ISO 9001 and 14001 registered company. www.volvo.com

Under our policy of continuous product development and improvement, we reserve the right to change the specifications and design without prior notice. The illustrations do not necessarily show the standard versions of the attachment or the machine.

VOLVO

Volvo Construction Equipment Group

Ref. No. 21 2 434 1039
Printed in Canada 1/2001- 10,0

GDR