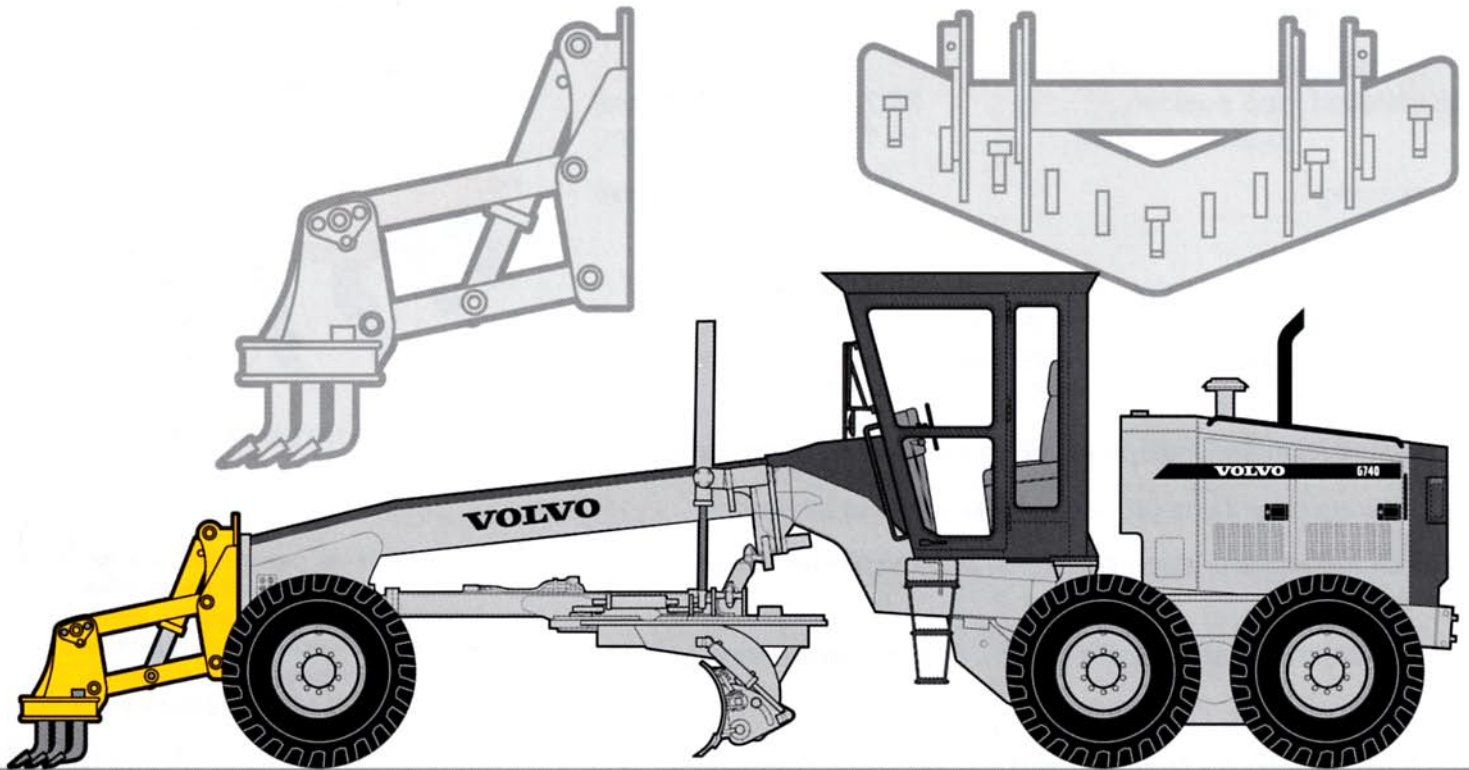


VOLVO MOTOR GRADER

FRONT MOUNTED SCARIFIER

ATTACHMENT



A scarifier attachment is designed to break up compacted material, asphalt, and rocky subgrade to facilitate grading.

The Front Mounted Scarifier is mounted to the nose plate of the grader and simplifies scarifying operations against curbs or walls or near other obstacles.

KEY FEATURES:

- Excellent visibility
- Five standard (eleven possible) shanks and points
- Delta configuration

VOLVO

MODEL V016 (not available on G780 / G780 VHP)

- Dimensions:

Weight	1,780 lb	(807 kg)
Width of cut	46"	(1 168 mm)
Diameter of lift cylinder	5"	(127 mm)
Add to length of grader	51"	(1 295 mm)

- Number of teeth:

5 supplied, accepts up to 11

- Maximum penetration

11.5" (292 mm)

- Ground clearance with 14:00 x 24 tires:

Teeth installed - top position	19.75"	(501 mm)
- bottom position	18.75"	(476 mm)

- Tooth spacing

4.5" (114 mm)

- Teeth:

Shank - Medium carbon steel alloy. Hardness 415 Brinell		
Thickness	3 in. x 1 in.	(76 mm x 25 mm)
Tip - Replaceable. Hardness 495 Brinell		
Tip size	6.5 in. x 1.75 in.	(165 mm x 44 mm)

- Four point parallel arm linkage provides excellent support for frame

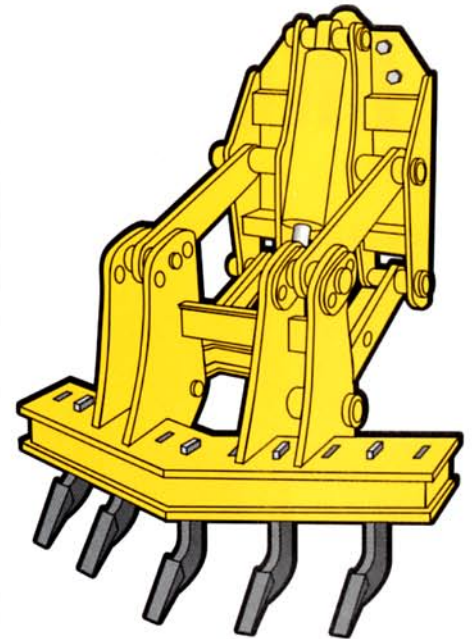
- Parallel linkage maintains proper scarifier angle at all depths

- Manual tilt adjustment (three positions) is provided for varied working conditions

- Hydraulic Control: Full hydraulic control by lever on steering pedestal

- Standard paint color: Volvo Gray

- Consult your dealer for hydraulic and mounting requirements



FRONT MOUNTED SCARIFIER

Volvo offers a complete line of attachments to increase the versatility and productivity of your grader. Volvo attachments are designed to meet the unique performance characteristics required in grader applications.

Your safety and the safety of those around you depends on using care and judgement when operating and servicing your grader. Do not operate the grader until you read and understand the warnings and instructions in the operator's manual. Volvo Motor Graders Limited is an ISO 9001 and 14001 registered company. www.volvo.com

Under our policy of continuous product development and improvement, we reserve the right to change the specifications and design without prior notice. The illustrations do not necessarily show the standard versions of the attachment or the machine.

VOLVO

Volvo Construction Equipment Group

Ref. No. 21 2 434 1034
Printed in Canada 1/2001- 10,0

GDR