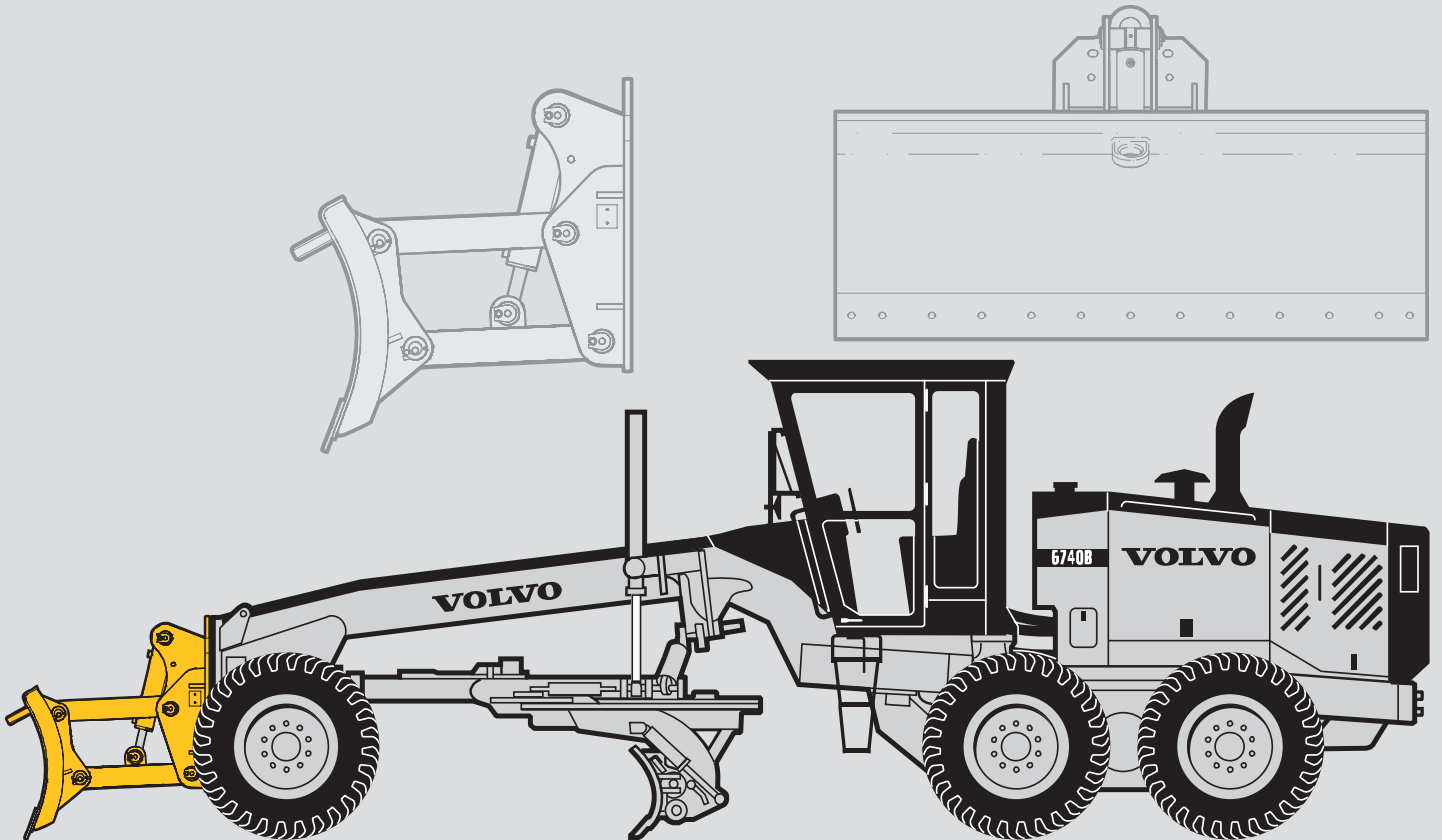


VOLVO MOTOR GRADER

DOZER BLADE

ATTACHMENT



Key Features:

- Excellent working and “carry” visibility
- Robust moldboard and push frame
- Integrated tow hook
- Integral counterbalance valve

The dozer blade is a front mounted tool used for bulldozing jobs such as displacing gravel piles, small stump removal, fallen rock clearance from road shoulders and other blading applications that may be difficult to access with the grader moldboard.

The dozer assembly is a very robust design. It offers excellent visibility over and around the dozer blade for ease of operation and efficiency.

VOLVO

DIMENSIONS

Model V016

Width Class	2,5 m	(8')
Weight	1 045 kg	(2,300 lb)
Width of cut	2,5 m	(98")
Blade height	953 mm	(37.5")
Plate thickness	12 mm	(0.5")
Lift cylinder diameter	102 mm	(4")

Model V017

Width Class	2,7 m	(9')
Weight	1 070 kg	(2,360 lb)
Width of cut	2,75 m	(108")
Blade height	953 mm	(37.5")
Plate thickness	12 mm	(0.5")
Lift cylinder diameter	102 mm	(4")

Model V018 G740B-G780B Only

Width Class	3,0 m	(10")
Weight	1 095 kg	(2,415 lb)
Width of cut	3,0 m	(118")
Blade height	953 mm	(37.5")
Plate thickness	12 mm	(0.5")
Lift cylinder diameter	102 mm	(4")

ADD TO OVERALL GRADER LENGTH – ALL DOZER BLADE MODELS

Tire Size	G710B	Tire Size	G720B-G730B	Tire Size	G740B-G780B
13.00 x 24	1 190 mm (46.75")	13.00 x 24	–	13.00 x 24	–
14.00 x 24	1 155 mm (45.5")	14.00 x 24	1 170 mm (46")	14.00 x 24	1 195 mm (47")
16.00 x 24	1 090 mm (43")	16.00 x 24	1 105 mm (43.5")	16.00 x 24	1 130 mm (44.5")
17.50 x 25	1 155 mm (45.5")	17.50 x 25	1 170 mm (46")	17.50 x 25	1 195 mm (47")
20.50 x 25	–	20.50 x 25	–	20.50 x 25	1 125 mm (44.25")

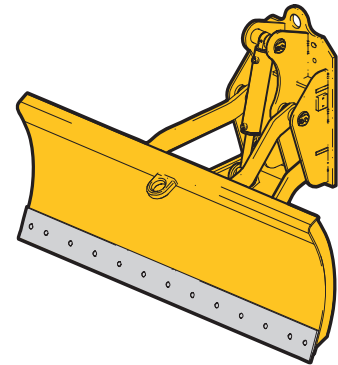
GROUND CLEARANCE – ALL DOZER BLADE MODELS

Tire Size	Raised Clearance	Tire Size	Depth of Cut
13.00 x 24	480 mm (19")	13.00 x 24	240 mm (9.5")
14.00 x 24	500 mm (19.75")	14.00 x 24	225 mm (8.75")
16.00 x 24	555 mm (22")	16.00 x 24	165 mm (6.5")
17.50 x 25	490 mm (19.25")	17.50 x 25	235 mm (9.25")
20.50 x 25	550 mm (21.75")	20.50 x 25	170 mm (6.75")

KEY FEATURES

- Parallel linkage maintains blade angle at all depths
- Rugged thick moldboard plate provides long life
- Excellent digging penetration
- Boxed beam blade support provides excellent blade rigidity
- Lift group will also accept front mounted scarifier
- 15 mm x 200 mm (5/8" x 8") C1084 cutting edge
- Counterbalance valve in hydraulic circuit maintains stability
- Hydraulic control: Full hydraulic control using lever on steering pedestal
- Standard paint color: Volvo Gray
- Consult your Volvo dealer for hydraulic and mounting requirements
- Optional mounting location increases ground clearance 100 mm (4") to assist trailer loading

DOZER BLADE



Volvo offers a complete line of attachments to increase the versatility and productivity of your grader. Volvo attachments are designed to meet the unique performance characteristics required in grader applications.

All dimensions are approximate.

Your safety and the safety of those around you depends on using care and judgement when operating and servicing your grader. Do not operate the grader until you read and understand the warnings and instructions in the operator's manual. Volvo Motor Graders Limited is an ISO 9001 and 14001 registered company. www.volvo.com

Under our policy of continuous product development and improvement, we reserve the right to change the specifications and design without prior notice. The illustrations do not necessarily show the standard versions of the attachment or the machine.

VOLVO

**Volvo Construction Equipment
North America, Inc.**

One Volvo Drive, Asheville, NC 28803-3447
www.volvoce.com

Ref. No. 22 3 434 1038 English
Printed in USA 05/05 – 3,0 GMC
Volvo, Asheville