

VOLVO ARTICULATED HAULERS

A25E, A30E, A35E, A40E LIGHT MATERIAL HAULER



MORE CARE. BUILT IN.



PROFITABLE LIGHT MATERIAL TRANSPORTS

Since Volvo Construction Equipment developed the articulated hauler concept in the 1960s, it has been adapted for a wide range of applications. The common factor for all applications is that the concept provides a fast, safe, and effective hauling solution in tough and demanding conditions.

With a light materials kit for the hauler, the machine becomes extremely productive in hauling coal, woodchips, ash, and other low-density materials.

Bigger load

With a light materials kit, your standard hauler can easily be modified to haul light low-density materials. The kit from Volvo Construction Equipment enables the load body to hold a bigger load, making each transport run maximally effective. At the same time, the kit also provides spill protection, especially when operating on steep grades.

The kit is easy to install and remove, making the machine very flexible and user-friendly for other hauling applications as well. The kit includes a sturdy tailgate with a wide opening for fast dumping.

Volvo gives you advantages

Volvo is the world's leading manufacturer of engines for heavy vehicles. With in-house developed drivetrains – adapted to the tough demands and conditions haulers face – our haulers have the power and durability to give maximal productivity. Add the unique steering system, Volvo's patented Load & Dump brake, and the fast dump hydraulics for optimally efficient dump cycles, and you get a profitable equation – haul even more, even faster, at the lowest possible cost.

Comfort and safety

Volvo has been the long-time leader when it comes to the operator's environment, and has won several awards for design of operator's cabs. In a Volvo articulated hauler the operator can stay focused on the job, even on those really long shifts, thanks to the quieter, cleaner, and roomier Volvo Care Cab.

A hauler from Volvo gives you both a machine and a partner to trust. Volvo Construction Equipment's global network of dealers and well-trained service technicians means that you always have a committed partner close to you and your operations. This gives peace-of-mind ownership, and a machine that always provides maximal profitability and productivity.



Volvo Care Cab

Volvo's world class operator's environment features a large, spacious interior and large storage compartments.

The Volvo Care Cab pressurizes and filters all incoming air twice, promoting a clean interior and a healthy, happy operator.

Contronic Monitoring System alerts the operator of machine status and maintenance needs, providing maximum availability and protection during the shift.

Good visibility, from the wide windshield to the well placed rear view mirrors, allows for safe and productive work.



OPTIMIZED TO TRANSPORT LIGHT MATERIAL

Volvo's Unique Self-compensating Hydro-mechanical Steering

- Powerful and accurate steering for safe operation and high productivity.

Excellent Operator Environment

- A spacious and comfortable cab with centrally positioned operator contributes to high productivity throughout the shift.
- Ergonomically positioned controls, air conditioning, air suspension seat with tilt/ telescopic steering wheel, wide angle forward view for reduced operator fatigue and high safety.

Heavy Duty Axles

- Purpose built with 100% dog clutch type diff-lock.

Exhaust Brake and Retarders

- Easy to operate powerful retardation system reduces wear and operating cost.

6x4 and 6x6 with Five Operating Modes

- Easy to use drive combinations for every type of operating condition, reduces fuel consumption, driveline and tire wear and increases off-road mobility.
- Automatic Traction Control (ATC) simplifies operation, promotes longer tire life and reduced fuel consumption.
(A25E and A30E)

Volvo Drive Train

- Correctly matched Volvo-designed components, specifically developed for hauler applications. Low power losses and long service life.
- The transmission gives smooth shifting and high power at all times.

(6-speed: A25E and A30E, 9-speed: A35E and A40E)

State-of-the-Art Hydraulic System

- Variable displacement piston pumps consume power only when required.

High Capacity Cooling System

- Power and fuel saving, hydraulically driven, side mounted variable speed fan consumes power only when needed.



Purpose-built dropbox

- Proven in-line drop-box provides excellent ground clearance, gives stability and low internal power losses.

Serviceability

- No daily or weekly greasing.
- Easy access to the engine compartment.

Swing Down Front Service Platform

- Grouped engine filters and remote mounted drains reduce service time. Contronic System electronically monitors fluid levels and systems for ease of service and trouble shooting.

Maintenance Free Suspensions

- The straddle mounted bogie beam gives large wheel movement and low frame stress. Low pivot point enhances stability.
- Front axle has independent wheel movement via a 3-point mounting system.

Frames and Chassis

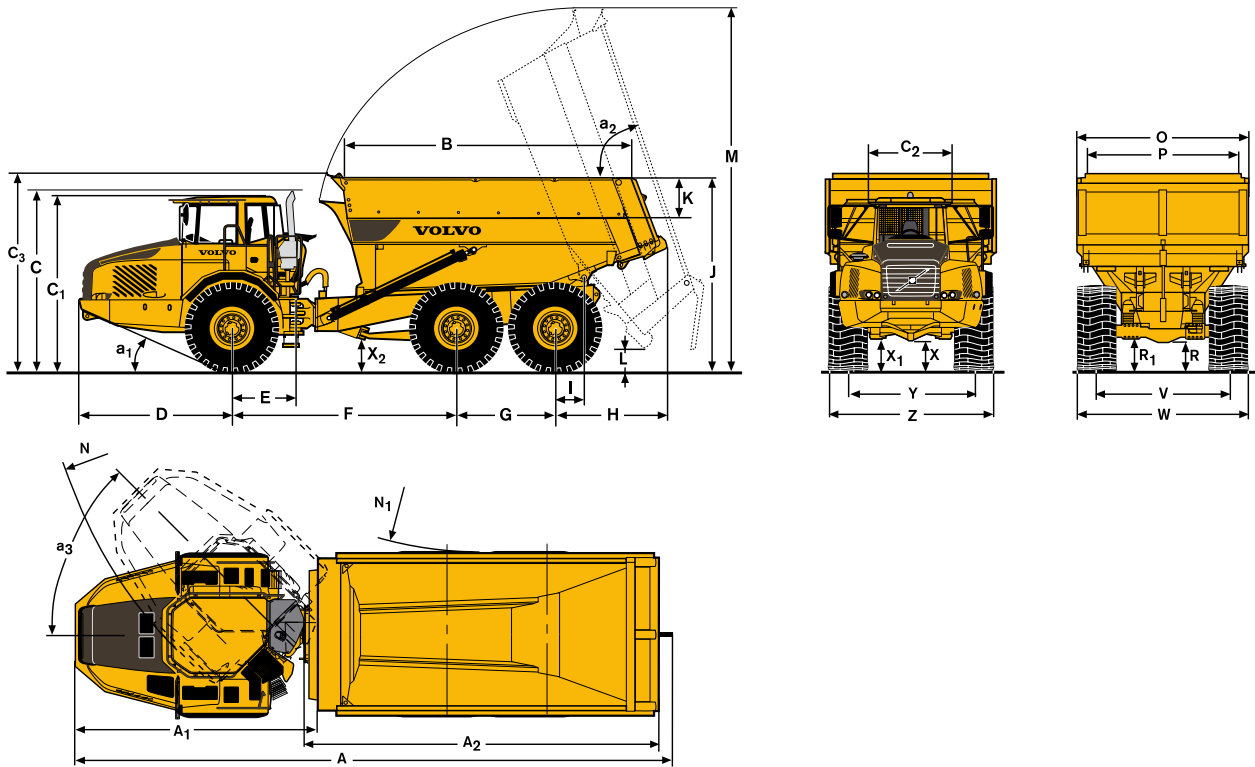
- Box type design frames provides strong, weight optimized, high quality frames for long service life.
- Rotating hitch and articulated steering provides good off-road mobility and less stress on the frames in tough applications. High positioned hitch provides high ground clearance and stability.

Body and dump system

- High chute and tipping joint with 70° or greater dump angle promotes load retention and ejection.
- Optimized hauling of light material e.g. coal, fly ash etc with max. density of 900 kg/m³ (1500 lbs/yd³).
- The bolt on kit makes it flexible to mount and dismount on a standard body, no need to modify the body.
- Well proven and safe design.
- Robust tailgate with big opening included in the kit.
- Can be used together with 8 mm wear plates in the body.



SPECIFICATIONS



Pos	Metric (mm)						Imperial (Feet)					
	A25E	A30E	A35E	A35E FS	A40E	A40E FS	A25E	A30E	A35E	A35E FS	A40E	A40E FS
A	10 828	10 909	11 797	11 797	11 881	11 881	35'6"	35'9"	38'8"	38'8"	39'0"	39'0"
A ₁	4 954	4 954					16'3"	16'3"				
A ₂	6 236	6 316	6 799	6 799	6 884	6 884	20'6"	20'9"	22'4"	22'4"	22'7"	22'7"
B	5 102	5 278	5 506	5 506	5 803	5 803	16'9"	17'4"	18'1"	18'1"	19'0"	19'0"
C	3 428	3 428	3 716	3 716	3 768	3 768	11'3"	11'3"	12'2"	12'2"	12'4"	12'4"
C ₁	3 318	3 318	3 545	3 545	3 596	3 596	10'11"	10'11"	11'8"	11'8"	11'10"	11'10"
C ₂	1 768	1 768	1 769	1 769	1 769	1 769	5'10"	5'10"	5'10"	5'10"	5'10"	5'10"
C ₃	3 590	3 718	3 951	3 951	4 155	4 155	11'9"	12'2"	13'0"	13'0"	13'8"	13'8"
D	2 764	2 764	3 101	3 101	3 101	3 101	9'1"	9'1"	10'2"	10'2"	10'2"	10'2"
E	1 210	1 210	1 278	1 278	1 278	1 278	4'0"	4'0"	4'2"	4'2"	4'2"	4'2"
F	4 175	4 175	4 578	4 578	4 518	4 518	13'8"	13'8"	15'0"	15'0"	14'10"	14'10"
G	1 670	1 670	1 820	1 820	1 940	1 940	5'6"	5'6"	6'0"	6'0"	6'4"	6'4"
H	2 219	2 300	2 298	2 298	2 322	2 322	7'3"	7'7"	7'6"	7'6"	7'7"	7'7"
I	608	608	650	650	495	495	2'0"	2'0"	2'2"	2'2"	1'7"	1'7"
J	3 484	3 610	3 816	3 816	4 023	4 023	11'5"	11'10"	12'6"	12'6"	13'2"	13'2"
K	700	750	800	800	850	850	2'4"	2'6"	2'7"	2'7"	2'9"	2'9"
L	132	157	359	359	311	311	0'5"	0'6"	1'2"	1'2"	1'0"	1'0"
M	6 587	6 748	7 246	7 246	7 449	7 449	21'7"	22'2"	23'9"	23'9"	24'5"	24'5"
N	8 105	8 105	8 826	8 826	8 885	8 885	26'7"	26'7"	28'11"	28'11"	29'2"	29'2"
N ₁	4 079	4 037	4 423	4 423	4 335	4 335	13'5"	13'3"	14'6"	14'6"	14'3"	14'3"
O	2 874	3 074	3 280	3 280	3 472	3 472	9'5"	10'1"	10'9"	10'9"	11'5"	11'5"
P	2 700	2 900	2 870	2 870	3 074	3 074	8'10"	9'6"	9'5"	9'5"	10'1"	10'1"
R	512	513	580	580	628	628	1'8"	1'8"	1'11"	1'11"	2'1"	2'1"
R ₁	634	635	668	610	716	716	2'1"	2'1"	2'2"	2'0"	2'4"	2'4"
V	2 258	2 216	2 534	2 534	2 636	2 636	7'5"	7'3"	8'4"	8'4"	8'8"	8'8"
V*	-----	2 258	2 625	2 625			-----	7'5"	8'7"	8'7"		
W	2 859	2 941	3 258	3 258	3 432	3 432	9'5"	9'8"	10'8"	10'8"	11'3"	11'3"
W*	-----	2 859	3 410	3 410	3 570	3 570	-----	9'5"	10'8"	10'8"	11'9"	11'9"
X	456	456	521	521	576	576	1'6"	1'6"	1'9"	1'9"	1'11"	1'11"
X ₁	581	582	602	602	657	657	1'11"	1'11"	2'0"	2'0"	2'2"	2'2"
X ₂	659	659	754	754	806	806	2'2"	2'2"	2'6"	2'6"	2'8"	2'8"
Y	2 258	2 216	2 534	2 534	2 636	2 636	7'5"	7'3"	8'4"	8'4"	8'8"	8'8"
Y*	-----	2 258	2 625	2 625			-----	7'5"	8'7"	8'7"		
Z	2 859	2 941	3 258	3 258	3 432	3 432	9'5"	9'8"	10'8"	10'8"	11'3"	11'3"
Z*	-----	2 859	3 410	3 410	3 570	3 570	-----	9'5"	11'2"	11'2"	11'9"	11'9"
a ₁	23,5°	23,5°	23,3°	23,3°	24,3°	24,3°	23,5°	23,5°	23,3°	23,3°	24,3°	24,3°
a ₂	74°	70°	70°	70°	72°	72°	74°	70°	70°	70°	72°	72°
a ₃	45°	45°	45°	45°	45°	45°	45°	45°	45°	45°	45°	45°

A25E: Unloaded machine with 23,5 R25
A30E: Unloaded machine with 750/65R25
A35E: Unloaded machine with 26,5 R25
A40E: Unloaded machine with 29,5 R25
*) With optional tires. A30E: 23,5 R25
A35E: 775/65R29
A40E: 875/65R29

Body / Dumping

Light material body: Adapts the body for hauling light and medium density material, max density 900 kg/m³ (1500 lbs/yd³). The kit bolts to the standard body, easily mounted / dismantled adapting the machine for hauling different materials.

Load and dump brake: With the engine running, the service brakes on the rear axle are applied and transmission is shifted to neutral. Dumping Cylinders: Two single stage double acting cylinders.

Light Material	A25E	A30E	A35E A35E FS	A40E A40E FS
Tippling angle	74° A	70° A	72° A	70° A
Tippling time with load	12 s	12 s	12 s	12s
Lowering time	9 s	9 s	10 s	10s

Load capacity

	A25E	A30E	A35E A35E FS	A40E A40E FS
Light Material body				
Load capacity	23 600 kg 26.0 sh tn	27 500 kg 30.3 sh tn	32 800 kg 36.2 sh tn	38 100 kg 42 sh tn
Body, struck	22,5 m ³ 29.4 yd ³	26,2 m ³ 34.3 yd ³	31,1 m ³ 40.7 yd ³	36,1 m ³ 47.2 yd ³
Body, heaped	26,2 m ³ 34.3 yd ³	30,6 m ³ 40.0 yd ³	36,4 m ³ 47.6 yd ³	42,3 m ³ 55.3 yd ³

Weights

Light Material	A25E	A30E*	A35E*	A35E FS*	A40E*	A40E FS*
Tires	23,5R25	750/65R29	26,5R25	26,5R25	29,5R25	29,5R25
Operating weight unloaded						
Front	11 960 kg 26 367 lb	12 230 kg 26 963 lb	14 500 kg 31 967 lb	14 600 kg 32 187 lb	15 500 kg 34 172 lb	15 600 kg 34 392 lb
Rear	11 510 kg 25 375 lb	12 890 kg 28 418 lb	16 000 kg 35 274 lb	16 300 kg 35 935 lb	17 200 kg 37 920 lb	17 500 kg 38 581 lb
Total	23 470 kg 51 742 lb	25 120 kg 55 380 lb	30 500 kg 67 241 lb	30 900 kg 68 123 lb	32 700 kg 72 091 lb	33 100 kg 72 973 lb
Payload	23 600 kg 26.0 sh tn	27 500 kg 30.3 sh tn	32 800 kg 72 312 lb	32 800 kg 72 312 lb	38 100 kg 83 996 lb	38 100 kg 83 996 lb
Total weight						
Front	12 770 kg 28 153 lb	13 340 kg 29 410 lb	15 900 kg 35 053 lb	16 000 kg 35 274 lb	17 800 kg 39 242 lb	17 900 kg 39 463 lb
Rear	34 270 kg 75 552 lb	39 320 kg 86 686 lb	47 400 kg 104 499 lb	47 700 kg 105 160 lb	53 000 kg 116 845 lb	53 300 kg 117 506 lb
Total	47 050 kg 103 727 lb	52 660 kg 116 095 lb	63 300 kg 139 553 lb	63 700 kg 140 434 lb	70 800 kg 156 087 lb	71 200 kg 156 969 lb

Operating weight includes all fluids and operator.

*) A30E with tires 23,5R25, subtrac 206 kg (454 lb)/axle

A35E and A35E FS with tires 775/65R29, add 200 kg (441 lb)/axle

A40E and A40E FS with tires 875/65R29, add 200 kg (441 lb)/axle

Ground Pressure

Light Material	A25E	A30E	A30E	A35E	A35E	A35E FS	A35E FS	A40E	A40E	A40E FS	A40E FS
Tires	23,5R25	750/65R25	23,5R25	26,5R25	775/65R29	26,5R25	775/65R29	29,5R25	875/65R29	29,5R25	875/65R29
Unloaded											
Front	121 kPa 17.5 psi	99 kPa 14.4 psi	124 kPa 18.0 psi	121 kPa 17.5 psi	105 kPa 15.2 psi	122 kPa 17.6 psi	105 kPa 15.2 psi	109 kPa 15.8 psi	95 kPa 13.8 psi	110 kPa 16.0 psi	96 kPa 13.9 psi
Rear	59 kPa 8.6 psi	52 kPa 7.5 psi	67 kPa 9.7 psi	67 kPa 9.7 psi	59 kPa 8.6 psi	68 kPa 9.9 psi	59 kPa 8.6 psi	109 kPa 15.8 psi	95 kPa 13.8 psi	110 kPa 16.0 psi	96 kPa 13.9 psi
Loaded											
Front	130 kPa 18.9 psi	108 kPa 15.7 psi	134 kPa 19.4 psi	133 kPa 19.3 psi	114 kPa 16.5 psi	134 kPa 19.4 psi	115 kPa 16.7 psi	125 kPa 18.1 psi	109 kPa 15.8 psi	125 kPa 18.1 psi	110 kPa 16.0 psi
Rear	173 kPa 25.1 psi	159 kPa 23.1 psi	200 kPa 29.0 psi	199 kPa 28.9 psi	170 kPa 24.7 psi	200 kPa 29.0 psi	171 kPa 24.8 psi	186 kPa 27.0 psi	162 kPa 23.5 psi	187 kPa 27.1 psi	162 kPa 23.5 psi

STANDARD EQUIPMENT

Body	A25E	A30E	A35E	A40E
Side extension, light material	•	•	•	•

OPTIONAL EQUIPMENT

Body	A25E	A30E	A35E	A40E
Wear plates, 450 HB, 8 mm	•	•	•	•



Volvo Construction Equipment is different. Our machines are designed, built and supported in a different way. That difference comes from an engineering heritage of over 175 years. A heritage of thinking first about the people who actually use the machines. About how to help them be safer, more comfortable, more productive. About the environment we all share. The result of that thinking is a growing range of machines and a global support network dedicated to helping you do more. People around the world are proud to use Volvo. And we're proud of what makes Volvo different – **More care. Built in.**



Not all products are available in all markets. Under our policy of continuous improvement, we reserve the right to change specifications and design without prior notice. The illustrations do not necessarily show the standard version of the machine.

VOLVO

Volvo Construction Equipment
www.volvo.com

Ref. No. 21A1004994
Printed in Sweden 2008-10-3,0
Volvo, Braås

English
ART