

VOLVO BM 860 TC LOGGING PACKAGE



VOLVO BM 860 TC FORWARDER SHORT

VOLVO BM 860 TC FORWARDER SHORT

The 860 TC Forwarder Short is designed for the crosscountry transport of pulpwood and timber directly from stump to landing. The machine can handle relatively difficult terrain conditions thanks to its large wheels and 4-wheel drive. The machine's high average speed on the road and excellent road characteristics enable it to make hauls of up to about 5 km (3 miles) without a trailer. For longer hauls (up to about 30 km or 20 miles), the capacity of the machine may be increased substantially by adding on a trailer.

Its average speed on poor roads is 20—23 km/h (12—14 mph), even if the machine plus trailer has a total laden weight of about 45 tons.

SPECIFICATIONS

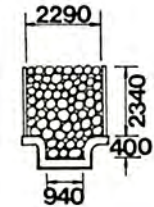
Weight in working order	14 tons	4-wheel drive engaged and disengaged by pneumatic/mechanical control. Differential locks on both power axles.
Engine		Capacities
VOLVO 6-cyl. direct-injection TD 50 B diesel	150 hp SAE at 2500 rev/min	Cooling system 23 l
Transmission		Lubricating oil in engine 17 l
Torque converter	Single-stage with freewheeling stator and lock-up clutch	Fuel tank 225 l
Conversion ratio	2.3:1	Transmission oil 22 l
Gearbox	Full power-shift with 4 forwards/ reverse speeds	Speed ranges
		1) 0—7 km/h (0—4 mph)
		2) 0—11 km/h (0—7 mph)
		3) 0—17 km/h (0—11 mph)
		4) 0—30 km/h (0—19 mph)

Brakes	
Pneumatic/mechanical, acting on all wheels	
Parking brake	Mechanical, acting on 4 wheels
Total friction lining area	6485 cm ² (1005 in ²)
Exhaust brake	
Tyres	
Front wheels	18.00 × 26/16 SGG 18.00 × 25 Mich.
Bogie wheels	16.00 × 24/16 SGG 20.5 × 25 Mich.
Grapple loader	
HIAB 670	
Frontmounted	

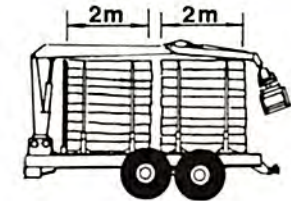
Load volume
31.4 m³
(41 yd³)



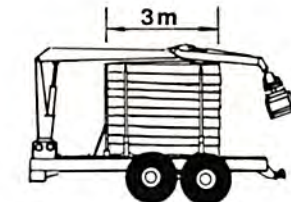
Load area
5.7 m²
(61.5 ft²)



Load volume
17.1 m³
(22 yd³)



Load volume
22.8 m³
(30 yd³)





VOLVO BM 860 TC FORWARDER LONG

VOLVO BM 860 TC FORWARDER LONG

The 860 TC Forwarder Long is designed for the transport of pulpwood and timber over easy terrain and on the road from stump to landing. Despite the large size of the machine, it has good off-road mobility thanks to its large wheels and 4-wheel drive. The machine's high average speed on the road and excellent road characteristics enable it to make hauls of up to about 5 km (3 miles) without a trailer. For longer hauls (up to about 30 km or 20 miles), the capacity of the machine may be increased substantially by adding on a trailer.

The average speed of the machine with trailer (total weight about 50 tons) is 15–19 km/h (10–12 mph).

SPECIFICATIONS

Weight in working order 14.4 tons

Engine

VOLVO 6-cyl. direct-injection TD 50B diesel
Power output 150 hp SAE at 2500 rev/min

Transmission

Torque converter Single-stage with freewheeling stator and lock-up clutch
Conversion ratio 2.3:1
Gearbox Full power-shift with 4 forward/reverse speeds

4-wheel drive engaged and disengaged by pneumatic/mechanical control. Differential locks on both power axles.

Capacities

Cooling system 23 l
Lubricating oil in engine 17 l
Fuel tank 225 l
Transmission oil 22 l

Speed ranges

1) 0–7 km/h (0–4 mph)
2) 0–11 km/h (0–7 mph)
3) 0–17 km/h (0–11 mph)
4) 0–30 km/h (0–19 mph)

Brakes

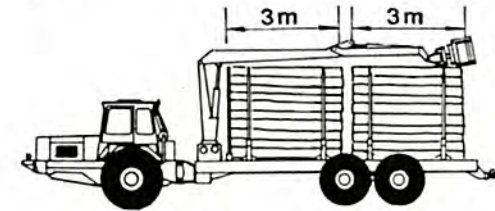
Pneumatic/mechanical, acting on all wheels
Parking brake Mechanical, acting on 4 wheels
Total friction lining area 6485 cm² (1005 in²)
Exhaust brake

Tyres

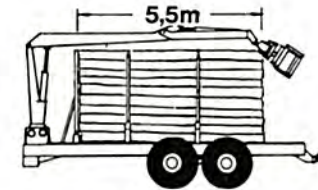
Front wheels 18.00–25/ Mich.
18.00–25/16 SGG
Bogie wheels 20.5–25/ Mich.
16.00–24/16 SGG

Load volume
34.2 m³
(45 yd³)

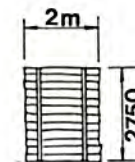
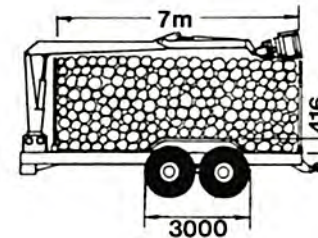
Load area
5.7 m²
(61.5 ft²)



Load volume
31.4 m³
(41 yd³)



Load volume
37.25 m³
(49 yd³)





3

VOLVO BM 860 TC SHORTWOOD HAULER

VOLVO BM 860 TC SHORTWOOD HAULER

The 860 TC Shortwood Hauler is designed to haul over all existent types of roads. The machine attains its greatest capacity when loading from stacks or loading under favourable conditions in planted forests directly at the stump. The crane loader is rear-mounted so as to be able to carry out both on-loading and off-loading without uncoupling the trailer.

The excellent off-road characteristics of the 860 TC Hauler often enable it to load and haul pulpwood and timber from landings at or near the felled area. This reduces the haulage distance for the forwarders and increases the total delivery capacity to the sawmill or pulpwood mill. The 860 TC Shortwood Hauler can be used with good profitability for hauls of up to 40 km (25 miles). On poor roads, the average speeds of the machine with trailer (total weight about 50 tons) is 15—19 km/h (10—12 mph).

SPECIFICATIONS

Weight in working order, not including trailer 13.6 tons

Engine

VOLVO 6-cyl: direct-injection TD 50 B diesel
Power output 150 hp SAE at 2500 r/m

Transmission

Torque converter Single-stage with freewheeling stator and lock-up clutch
Conversion ratio 2.3:1
Gearbox Full-power shift with 4 forward/reverse speeds

4-wheel drive engaged and disengaged by pneumatic/mechanical control.
Differential locks on both power axles.

Capacities

Cooling system 23 l
Lubrication oil in engine 17 l
Fuel tank 225 l
Transmission oil 22 l

Speed ranges

1) 0—7 km/h (0—4 mph)
2) 0—11 km/h (0—7 mph)
3) 0—17 km/h (0—11 mph)
4) 0—30 km/h (0—19 mph)

Brakes

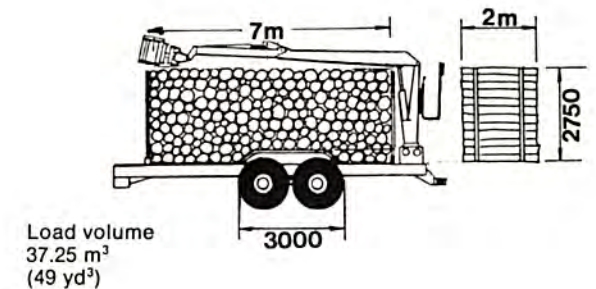
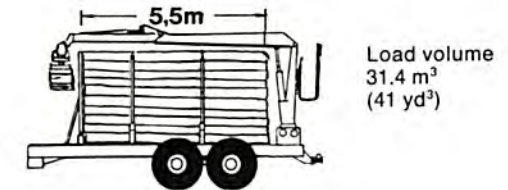
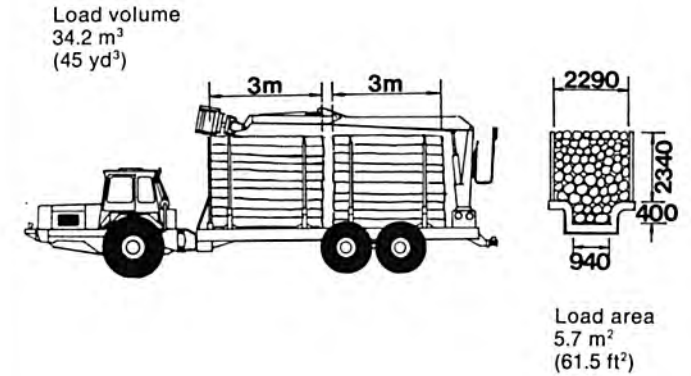
Pneumatic/mechanical, acting on all wheels
Parking brake Mechanical, acting on 4 wheels
Total friction lining area 6485 cm² (1005 in²)
Exhaust brake

Tyres

Front wheels 18.00 × 25/16 SGG
18.00 × 25 Mich.
Bogie wheels 16.00 × 24/16 SGG
20.5 × 25 Mich.

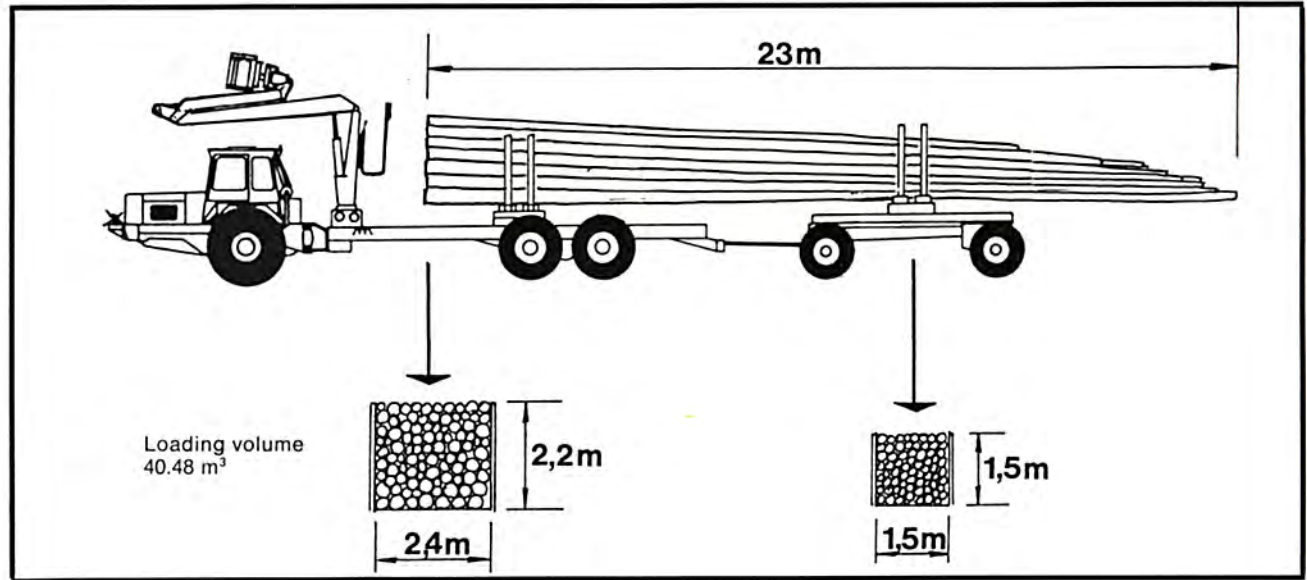
Loader equipment

HIAB or Jonsered
Rearmounted





VOLVO BM 860 TC TREE LENGTH HAULER



VOLVO BM 860 TC TREE LENGTH HAULER

The 860 TC Tree Length Hauler is designed for the transport of whole stems or in some cases whole trees of lengths up to approx. 30 m (100 ft). The trees can be picked up at the road or off the road if terrain conditions are favourable.

The timber is loaded with the help of a grapple loader, which is operated from a crane pillar in order to provide good visibility during loading. The loading time in practical operation is between 0.5 and 1 hour and the unloading time is between 5 and 10 min., depending on the conditions prevailing at the work site.

Thus, the timber can be hauled directly from the stump to the mill or from the landing to the mill. The average speed over poor roads is relatively high — between 15 and 19 km/h (10–12 mph) at a total vehicle weight of about 50 tons.

SPECIFICATIONS

Weight in working order, not including trailer 13.6 tons

Engine
VOLVO 6-cyl. direct-injection TD 50 B diesel
Power output 150 hp SAE at 25 rev/min

Transmission
Torque converter Single-stage with freewheeling stator and lock-up clutch

Conversion ratio 2.3:1
Gearbox Full power-shift with 4 forward/reverse speeds

4-wheel drive engaged and disengaged by pneumatic/mechanical control.
Differential locks on both power axles.

Capacities
Cooling system 23 l
Lubricating oil in engine 17 l
Fuel tank 225 l
Transmission oil 22 l

Speeds ranges
1) 0—7 km/h (0—4 mph)
2) 0—11 km/h (0—7 mph)
3) 0—17 km/h (0—11 mph)
4) 0—30 km/h (0—19 mph)

Brakes
Pneumatic/mechanical, acting on all wheels
Parking brake Mechanical, acting on 4 wheels

Total friction lining area 6485 cm² (1005 in²)

Tyres
Front wheels 18.00 × 25/16 SGG
18.00 × 25 Mich.
Bogie wheels 16.00 × 24/16 SGG
20.5 × 25 Mich.

Loader equipment
HIAB 670
Frontmounted

Specifications, design and construction are subject to change without notice.

VOLVO BM

VOLVO BM AB ESKILSTUNA SWEDEN

Ref.No. 21 1 669 1119
ENGELSKA