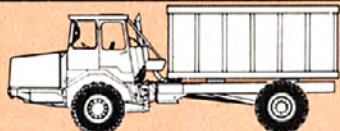
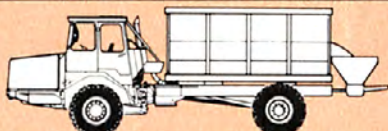
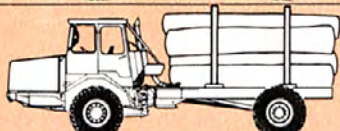

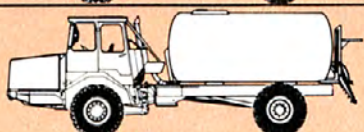
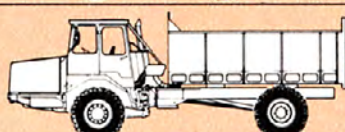


VOLVO BM 5350 TC

CONTRACTOR



	BULK CROPS		FERTILISER DISTRIBUTOR
	PIPES OR TIMBER		TRACTOR
	SPRAYING OR INJECTING		MUCK OR LIME SPREADER

A Volvo BM Contractors Chassis combines all the advantages of a rough terrain machine proven in the construction industry, with the flexibility of interchangeable bodies for all-year-round utilisation.

When the going is soft, the Volvo BM's low ground pressure, 4-wheel drive with diff-locks all round and articulated steering will get you on and off the land better than anything else on the market.



ENGINE

Make Volvo
Model TD 70 G

Type	Direct-injected diesel engine with exhaust-driven turbocharger
Rating	157 kW at 40 rps SAE gross J 270 (213 hp at 2400 rpm) 140 kW at 40 rps DIN 70020* (190 hp at 2400 rpm)
Max. torque	705 Nm at 25 rps SAE gross J 270 (520 lbf ft at 1500 rpm) 633 Nm at 26.7 rps DIN 70020 (467 lbf ft at 1600 rpm)
Low idling speed	8.3 rps (500 rpm)
High idling speed	44.6 rps (2675 rpm)
Number of cylinders	6
Cylinder diameter	104.77 mm (4.125 in)
Stroke	130 mm (5.12 in)
Displacement	6.73 dm ³ (411 in ³)
Compression ratio	14.5:1
Cold start	Richer fuel mixture and preheater
Air filter	Dry air cleaner

Radiator fan:

Mounted on right-hand side.

Type Hydrostatically driven. Stepless speed control, dependent upon coolant temperature.

* With cooler fan working at 2400 rpm — Normally the cooler fan works at 700 rpm, which gives 155 kW (210 hp)



ELECTRICAL SYSTEM

Voltage	24 V
Battery	120 Ah
Alternator	1260 W
Starter motor	5 kW (6.8 hp)



TRANSMISSION

Torque converter, type:	Single-stage with free-wheeling stator and automatic lock-up
Conversion ratio	2.43:1

Gearbox

Automatic planetary gearbox with manually preselected low gear: 5 gears forward, 1 reverse.

Drop box

Make	Volvo BM
Model	FL 650
Type	Drop-box with differential and power take off
Differential lock	100 % locking
Drive	Continuous drive on both axles
Speed (max)	
1st	6 km/h (3.7 mph)
2nd	13 km/h (8.0 mph)
3rd	23 km/h (14.3 mph)
4th	34 km/h (21.1 mph)
5th	48 km/h (29.8 mph)
Reverse	9 km/h (5.6 mph)



WHEELS

Rim 17.00—25 all wheels
Tyres 20.5—25* * radial tyres

Ground pressure: depending of the superstructure



BRAKE SYSTEM

Type Dual-circuit brake system
Circuit division One circuit front axle
One circuit rear axle

Parking brake

Spring-actuated brake on propeller shaft

Driving brakes

Driving axles	Air-hydraulic
Front axle	Double caliper
Diameter of disc	460 mm (18.1 in)
Number of friction pads per brake	4
Rear drive axle	Disc brakes
Type	Single caliper
Diameter of disc	460 mm (18.1 in)
Number of friction pads per brake	2



AXLES

Front axle

Make Volvo BM
Type FA-N2-80
Differential lock 100 % locking

Rear drive axle

Make Volvo BM
Type RA-N2-80
Differential lock 100 % locking



STEERING SYSTEM

Make Volvo BM
Type Hydromechanical articulated steering with emergency steering

Steering gear

Turns of wheel between locks	Rack 3.4
Steering angle from centreline	45°
Steering cylinders, type	2 double-acting
Hydraulic pumps	See Hydraulic system



HYDRAULIC SYSTEM

Hydraulic pumps, engine-dependent
Type Variable piston pump
Number 3

Capacity

100 l/min (26 US gal/min,
22 UK gal/min) at 2400 rpm
18.5 MPa (2680 lb/in²)

Working pressure

Drive system:

Type Flywheel power take-off
Make Volvo BM
Number of pump take offs Room for 4 power take-offs (3 hydraulic pumps are utilized)

Hydraulic pump, ground-dependent

(for emergency steering)
Type Variable piston pump
Number 1
Capacity 118 l/min (31 US gal/min,
26 UK gal/min) at 2400 rpm
18.5 MPa (2680 lb/in²)
Drop-box

Working pressure

Location

Filters:

Return oil filter

Filling

2 paper and magnet filteres
2 paper and magnet filteres



PNEUMATIC SYSTEM

Compressor:	
Capacity	425 l/min (15 ft ³ /min) at 2060 rpm
Drive	Gear drive
Outlet for tyre inflation	
Pressure regulator:	
Relief pressure	730—800 kPa (106—116 lb/in ²)
Compressed air reservoir:	
Volume	6+40+2×30 litres = 106 litres (28 US gal, 23 UK gal)



VOLUMES

	Litres	US gal	UK gal
Engine oil, incl. filter total	18.5	4.9	4.1
at charge	16	4.2	3.5
Cooling system	30	8.0	6.6
Fuel tank	280	74	62
Gearbox, total	23	6.1	5.1
Drop-box	6	1.6	1.3
Drive axle, front	25	6.6	5.5
rear	25	6.6	5.5
Hydraulic system	160	42	35
Brake fluid tank	3×0.5	3×0.13	3×0.10



FRAMES

Front and rear frames incorporate closed Volvo BM box sections with "smooth" transitions for minimum stress concentrations.



VOLVO BM ON- AND OFF-ROAD SUSPENSION

Two rubber cautions with bottoming absorption on each side. Stabilizer. Two shock absorbers on each side.



CAB

Volvo BM safety cab, tested and approved in accordance with ROPS and the impact test method. Meets requirements for trucks, tractors and construction machines. The cab is mounted on rubber pads, which contributes towards extremely low vibration sensations. The foot-ladder is protected during driving and is automatically dropped down via the hand brake. Filtered air and pressurized cab.

Number of exits:	3 (doors, cab hatch)
Driver's seat	Flameproof upholstery
Extra seat	For rider (optional)
Internal sound level	77 dB (A)

Recommended weights when H = 4200 mm (13'9")

		Front axle	Rear axle	Tot.
Unladen machine	kg (lb)	7.600 (16758)	2.600 (5733)	10.200 (22491)
Payload	kg (lb)	3.400 (7497)	10.400 (22932)	13.800 (30429)
Total weight	kg (lb)	11.000 (24255)	13.000* (28665)	24.000 (52920)

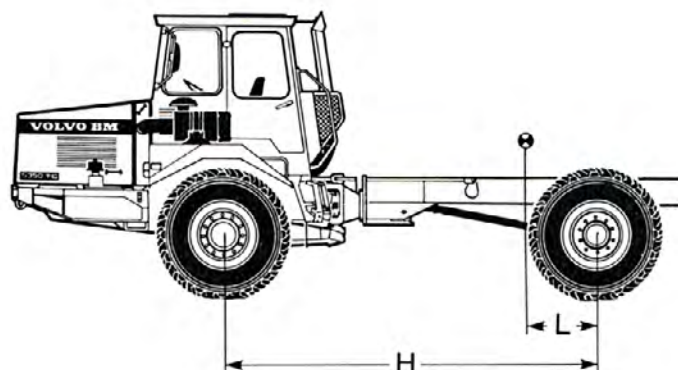
Recommended weights when H = 5500 mm (18')

		Front axle	Rear axle	Tot.
Unladen machine	kg, (lb)	7.700 (16978)	2.700 (5954)	10.400 (22932)
Payload	kg (lb)	3.300 (7277)	10.300 (22711)	13.600 (29988)
Total weight	kg (lb)	11.000 (24255)	13.000* (28665)	24.000 (52920)

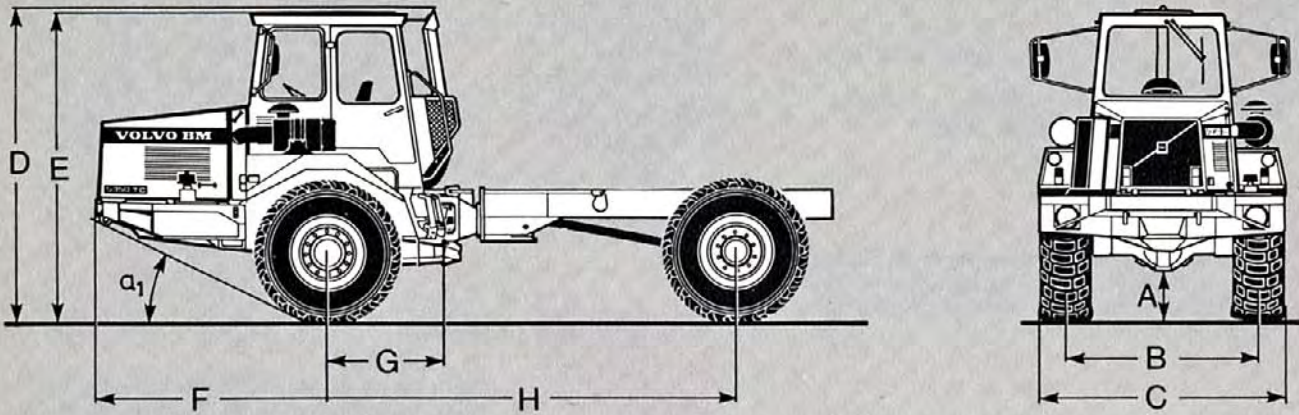
* If other weights are required, please contact Volvo BM.

Recommended center of gravity for superstructure

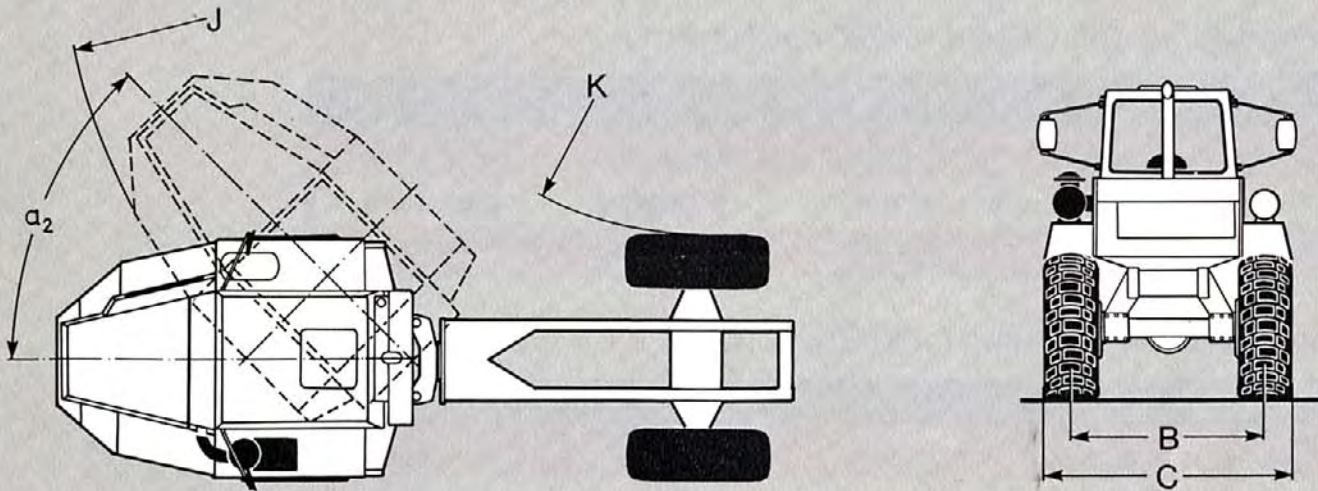
H = 4200 mm (13'9") L = 790 mm (2'7")
H = 5500 mm (18') L = 1050 mm (3'5")



Dimensions 5350 TC Contractor



mm (ft in)		mm (ft in)	
A	= 420 (1'4")	F	= 2415 (7'11")
B	= 1930 (6'4")	G	= 1200 (3'11")
C	= 2490 (8'2") Highway driving (20.5-25)	H	= 4200-5500 (13'9"-18')
	2600 (8'6") Off-road driving (20.5-25)	J	= 6700-8600 (22'-28')
	2740 (9') Off-road driving (25/65-25)	K	= 3450-4700 (11'4"-15'5")
D	= 3185 (10'5")	alpha_1	= 24.5°
E	= 3135 (10'3")	alpha_2	= 45°



VOLVO BM

VOLVO BM AB ESKILSTUNA SWEDEN

Under our policy of continual product improvement, we reserve the right to change specifications and design without notice. The illustrations do not necessarily show the standard version of the machine.

Ref. No. 21 1 669 1676
ENGELSKA

Production group for basic printed matter Volvo BM