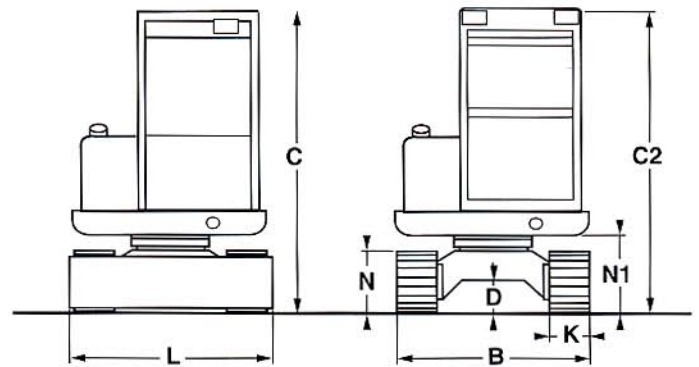


1 - Arm: 1300 mm
2 - Arm: 1600 mm



mm	A	A1	A2	B	C	C1	C2	D	E	E1	F	G	H	I	K	L	M	N	N1
1	5240	3765	4980	1580	2315	1380	2415	304	1600	2080	800	1655	1355	365	300	1650	3585	480	570
2	5240	3785	4815	1580	2315	1380	2415	304	1600	2080	800	1655	1355	365	300	1650	3585	480	570

OPERATING MASS

With steel crawlers:
 • Machine with cab:3680 kg
 • Machine with canopy:3475 kg
 With rubber crawlers:-140 kg

DIESEL ENGINE

Type S4L2 -1758 cm³
 4 cylinders, indirect injection.
 Water-cooled.
 Net engine power (DIN 6270 B):
37 HP (27,2 KW) at 2800 rpm
 Net installed power (DIN 6270 B):
34 HP (25 KW) at 2500 rpm

SPEED

Travel (2 speeds)
 • Selection "Slow":2,5 km/h
 • Selection "Fast":4,8 km/h
 • Slewing:10 rpm

CRAWLERS

• **Steel**, 43 links(Standard):
 width:300 mm
 mass / 1:195 kg
 ground pressure:
 • with cab:0,32 kg/cm²
 • with canopy:0,31 kg/cm²

- **rubber** (optional):
 width:300 mm
 mass / 1:125 kg
 ground pressure:
 • with cab:0,33 kg/cm²
 • with canopy:0,31 kg/cm²

Track tensionhydraulic
Traction force3300 daN

ACCESSORIES

Hydraulic rock breakers.
 Buckets-Backhoe-Ditch cleaning:
 • standard attachment
 • snap-action
 Auger
 Brush cutter

HYDRAULIC SYSTEM

"LOAD SENSING" system.
 Capacity of circuit:60 l
 • Power-assisted hydraulic controls.
Travel and excavation equipment circuit:
 • A variable output "Load Sensing" pump
 with power control:
 • Operating pressure:250 bar
 • Secondary pressure:280 bar
Blade and slewing circuit:
 A gear pump:
 • Operating pressure:250 bar

Accessories circuit:

• Max. flow rate(Load Sensing): ... 50 l/min

POWER OF EQUIPMENT

Wrenching force
 (on bucket blade):
 • with bucket cylinder:3082 daN
 • with arm cylinder:2210 daN

DIESEL OIL

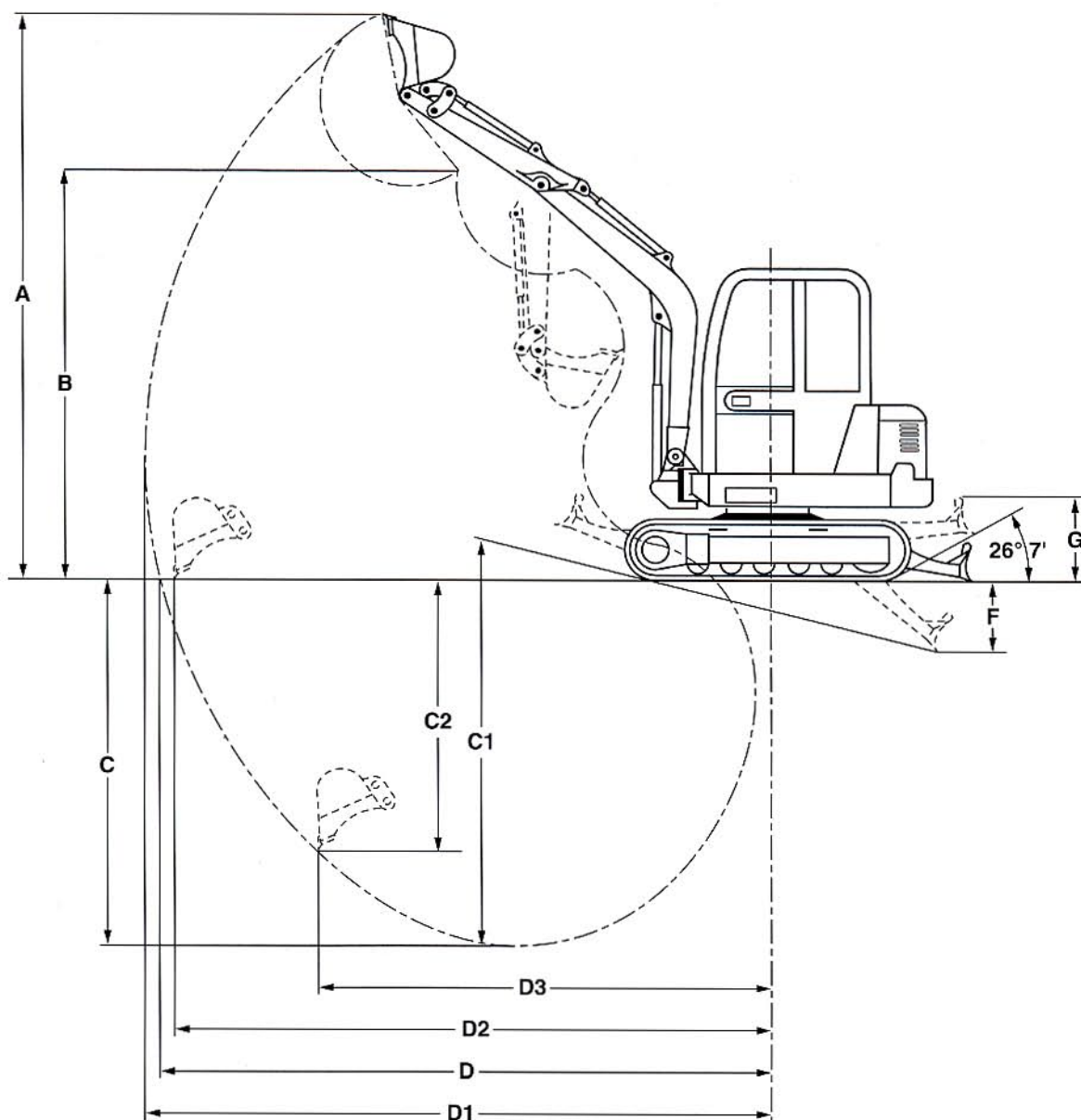
Consumption:5,4 l/h

ELECTRICAL CIRCUIT

Battery:12 V - 70 AH
 Alternator:12 V - 50 A
 Starting motor:12 V - 2 KW

SOUND PROOFING

Accoustic power:
 • With cab:LwA 92,4 dB(A)
 • With canopy:LwA 94,9 dB(A)
 Accoustic pressure level:
 • With cab:LpA 75 dB(A)
 • With canopy:LpA 84 dB(A)



1 - Arm: 1300 mm
 2 - Arm: 1600 mm

mm	A	B	C	C1	C2	D	D1	D2	D3	F	G
1	4615	3340	3033	3238	2010	4949	5067	4913	3800	426	734
2	4687	3513	3333	3535	2286	5240	5350	5201	3916	426	734

E5400362/GB - M2-03/97

Pel-Job 

ECOMAT
 AVENUE CHARLES DE GAULLE
 01303 BELLEY Cédex - FRANCE

Tél. 04 79 81 15 09
 Téléfax 04 79 81 39 63

Machine designed and
 manufactured in France

In accordance with its established
 policy of constant improvement PEL-
 JOB reserves the right to amend this
 specifications without notice.

Groupe Pel-Job