

EB 306

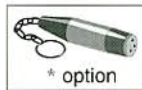


Pel-Job

PRECISION AND FLEXIBILITY OF THE LOAD-SENSING

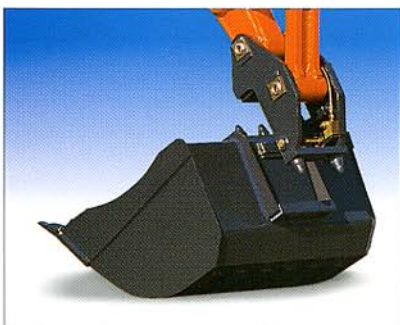


Offering high-powered performance even in the worst possible conditions, with its powerful yet extremely quiet engine, this machine is equipped with the load-sensing system to give the operator perfect control when carrying out work. Its performance and reliability, as well as its many other qualities, will never cease to amaze you.



*A single immobilise key is specially designed for each machine: no risk of theft.

* option

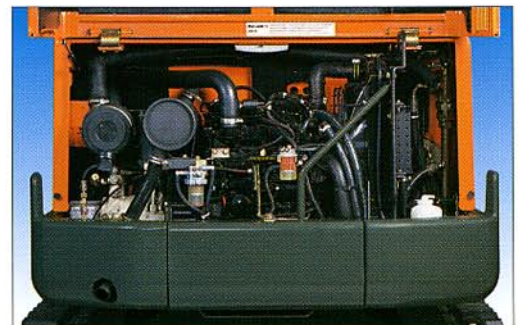


The quick coupling* system enables bucket or accessory to be changed without the operator leaving the cab. Appreciated by all users, this device saves a lot of time and increases comfort considerably without altering the bucket's performances or sequence of operations.

(*option)



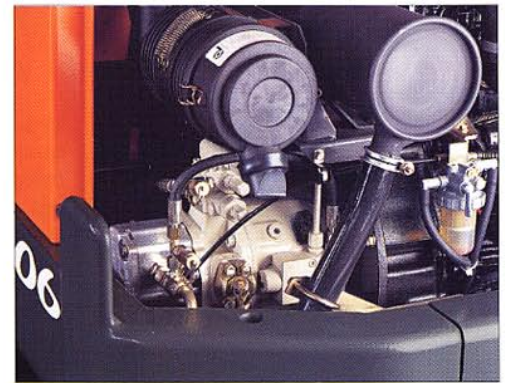
Because some knocks are unfortunately unavoidable, the wrap-around counterweight protects the rear of the machine. The steel cover is mounted recessed in relation to the counterweight to improve its protection.



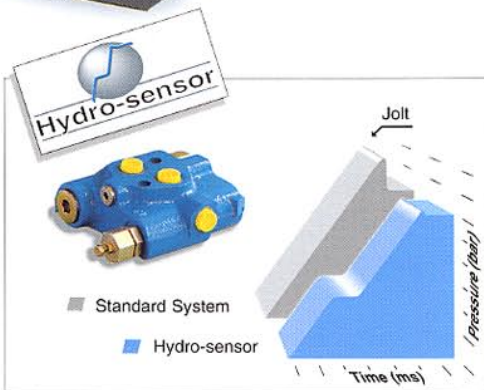
The wide soundproofed cover opens completely, giving excellent accessibility to the engine: all the maintenance and checking points are close at hand to save time. The steel cover is mounted recessed in relation to the counterweight to improve its protection.



A Pel-Job exclusive: the radial piston slow slewing motor. This motor has a very high torque for flexible manoeuvres, and drives the crown directly without a mechanical reducer. The result is fewer moving parts and therefore less risk of wear. The automatic hydraulic brake integrated in the slewing motor immobilises the turret in all positions and guarantees optimum working safety even on a slope.

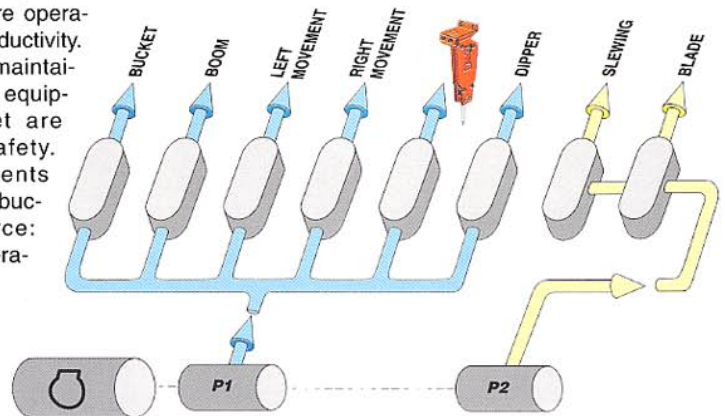


Continuous and immediate load sensing control of the hydraulic pump's flow and pressure to suit the work done by the excavator.



The hydrosensor valve (Pel-Job patent) on the slewing circuit damps the pressure peaks and hydraulic shocks common on starting and stopping on conventional circuits. The result: a progressive pressure increase, greater flexibility and precision and less stressed and therefore more reliable mechanical parts

All hydraulic functions are independent and can be operated simultaneously : more operating comfort and productivity. Straight-line travel maintained even when the equipment or the turret are moving: more safety. Speed of movements independent of the bucket's resistant force: simplification of operation.



TECHNICAL DATA

EB 306

Operational weight (1)	Steel tracks	Rubber tracks
Canopy version	2995 kg	2959 kg
Cab version	3170 kg	3134 kg
Ground pressure (cab)	0.30 kg/cm ²	0,29 kg/cm ²

Bucket performances	
Excavation force	2500 daN
Tear-out force	1720 daN

Buckets	
Standard bucket	600 mm (91 litres)
Other backhoe bucket available	from 250 to 750 mm (from 32 to 119 litres)
Cleaning bucket	1300 mm (153 litres)

Engine	
Type	Mitsubishi S3L2, water-cooled 3-cylinder engine
Cubic capacity	1318 cc
Rated horsepower (DIN 6270B)	27.4 hp (20 kW) at 2800 rpm
Installed horsepower (DIN 6270B)	25 hp (18.5 kW) at 2500 rpm
Maximum torque	78 Nm at 1600 rpm
Battery	12V - 70 AH
Engine monitoring	PUMA electronic control unit
Consumption (DIN 6270A)	4 litres/hour
Fuel tank capacity	42 litres
Maximum slope and bank	30° / 58% (engine's lubrication limit)

Load Sensing hydraulic system	
Controls	Power-assisted hydraulic controls
Equipment and travel pump	Variable capacity Load Sensing pump
Delivery and pressure	65 litres/min. at 250 bar
Delivery of attachment circuit	45 litres/min.
Blade and slewing pump	Gear pump
Delivery and pressure	20 litres/min. at 190 bar
Total capacity of circuit	55 litres

Slewing system	
Slewing motor	Direct drive of the ring gear without reduction unit
Absorption of hydraulic shocks	Hydrosensor Shockless valve
Braking of slewing	Automatic multi-disc brake
Slewing speed	10 rpm

Lower chassis with hydraulic track tensioning	
Tractive force	2750 daN
Travel speed	2 speeds : 2.3 and 3.8 kmph

Sound level (dynamic measurement)	
Sound level exterior (LwA)	95 dB(A)
Sound level in the cab (LpA)	75 dB(A)
Sound level under the canopy (LpA)	82 dB(A)

Driver's stand	Canopy	Cab
Multi-adjustable suspended seat	●	●
Seatbelt	○	●
FOPS 1 / TOPS protection	—	●
Heating and ventilation	—	●
Lighting	1 working light	2 working lights

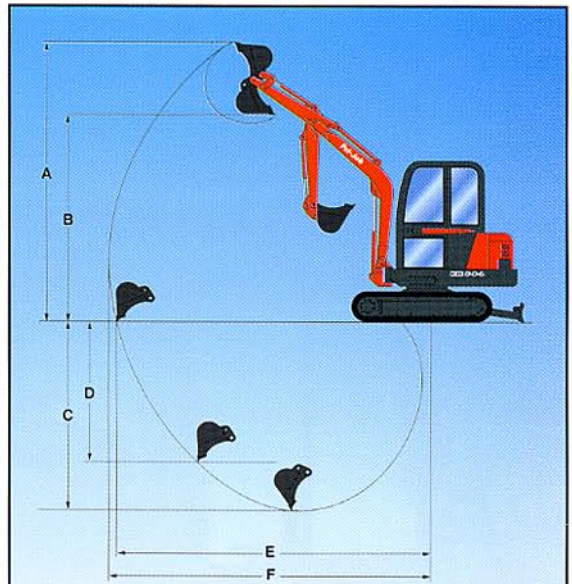
● : Standard equipment - ○ : Optional equipment

(1) The operational weight corresponds to the weight of the machine in working order (with a standard bucket and the tanks full), to which is added 75 kg corresponding to the weight of the driver. (In order to obtain the machine's transport weight, 75 kg needs therefore to be taken from the operational weight)..

Other options and accessories available :

Breaker kit	Organic hydraulic oil	Special paint	Safety valve for handling with overload indicator
Hydraulic quick-release coupling	Catalytic exhaust	Revolving light	Working light on boom
Mechanical quick-release coupling	Rear working light	PUMA anti-theft system	

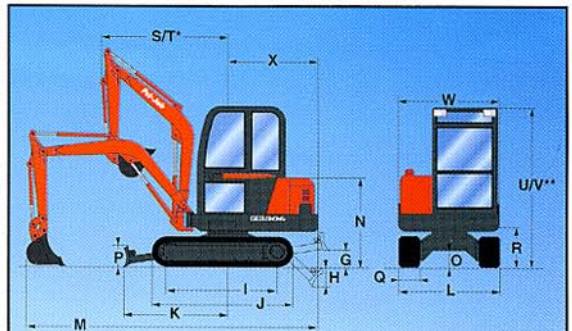
Refer also to the Pel-Job buckets and accessories catalogue.



Arm	A	B	C*	C	D	E	F
1200 mm	4380	3214	2955	2695	1863	4605	4725
1500 mm	4560	3393	3247	2995	2142	4897	5010

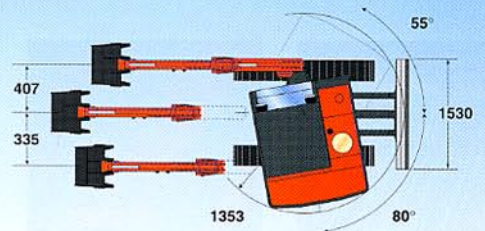
* Dig depth with blade down.

(mm)



* Front turning circle with max. offset

** Canopy

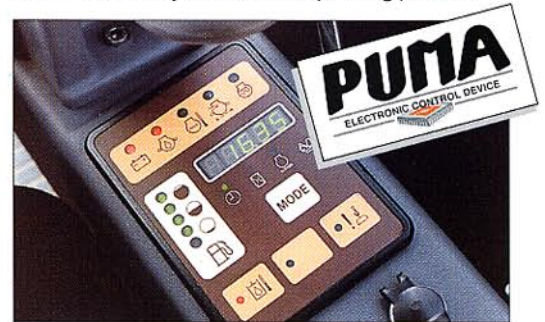


G	H	I	J	K	L	M	N	O
406	496	1600	2080	1505	1520	4260	1380	304
P	Q	R	S	T	U	V	W	X
335	300	568	1933	1560	2415	2315	1360	1305

(mm)



Operator comfort is a priority for Pel-Job. The operator's cab is spacious and easily accessible. The hydraulic controls are power-assisted and very progressive for more flexibility and precision. Pel-Job's new ergonomic manipulators feel good and are complemented by side arm rests which give a natural and very comfortable operating position.



The PUMA system on the EB 306 continuously monitors all the machine's vital functions and immediately informs the operator if there is a fault. The operator is therefore free to concentrate fully on operating the machine.



Very effective corrosion protection: all the nuts and bolts, the pins and the hydraulic pipes are zinc-plated and passivated.



All the equipment's hoses are free and sheathed and therefore without friction or wear and are connected at the bottom of the boom for very quick replacement, if necessary. The boom is mounted on a double-swivel articulated pivot which enables a long pin to be mounted and provides greater rigidity in the boom-chassis link. The boom cylinder's rod is fully protected against any knocks by sturdy armouring.



The EB 306 is provided as standard with two travel speeds, including a fast speed to speed up machine travel on the site.



Ride comfort is considerably improved thanks to the profile of the tracks and the alternating position of the guides which provides permanent contact with the rollers.



A technology to suit your needs.

Choosing Volvo Construction Equipment machines means having high quality and high productivity. It also means being assured of the reliability of machines built to take into account the needs of the operator as well as those of the environment. From each range you can choose the machine most suited to your needs, enabling you to improve the profitability of even the most difficult site in complete safety.

Compact & Service Equipment offers a complete range of compact excavators, compact loaders and excavators/loaders.

Ecomat Industrie S.A. - Avenue Charles de Gaulle - BP 119
F - 01303 Belley Cedex
Tél. : +33 (0)4 79 81 15 09 - Fax : +33 (0)4 79 81 39 63

In order to adapt their products continuously to suit the needs of users and the development of new techniques, Volvo Construction Equipment Group reserves the right to change their specifications without notice. The illustrations do not necessarily represent the standard versions of the machines.

**Volvo Construction
Equipment Group**

Ref. No. KON 2907723
CST 21 1 432 1008
Printed in France 02.98 N English