

EB 25.4

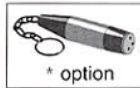


Pel-Job

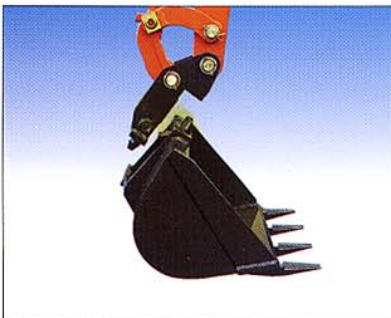
POWER, PRECISION, FLEXIBILITY



The leader on all sites thanks to a complete range of quality machines. Pel-job presents the EB 25.4 a high-performance compact excavator designed to meet all your needs perfectly. The EB 25.4 carries out all your work with surprising speed and precision thanks to power and flexibility of its hydraulics. The EB 25.4 is very discreet, having the benefit of advanced soundproofing for the comfort of the operator and the people living nearby.



*A single immobilise key is specially designed for each machine: no risk of theft.

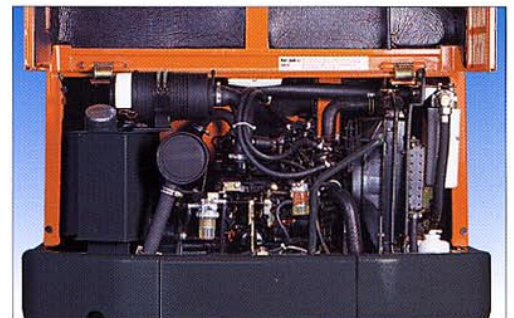


The quick coupling* system enables bucket or accessory to be changed without the operator leaving the cab. Appreciated by all users, this device saves a lot of time and increases comfort considerably without altering the bucket's performances or sequence of operations.

(*option)



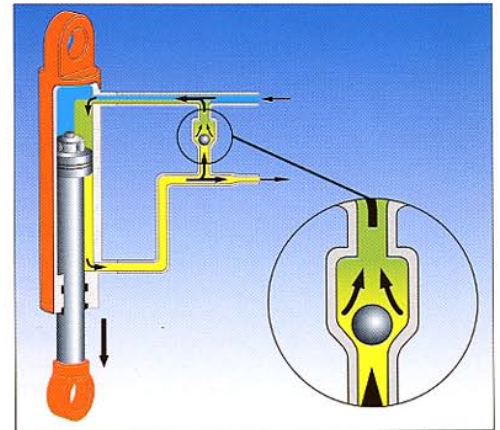
Because some knocks are unfortunately unavoidable, the wrap-around counterweight protects the rear of the machine. The steel cover is mounted recessed in relation to the counterweight to improve its protection.



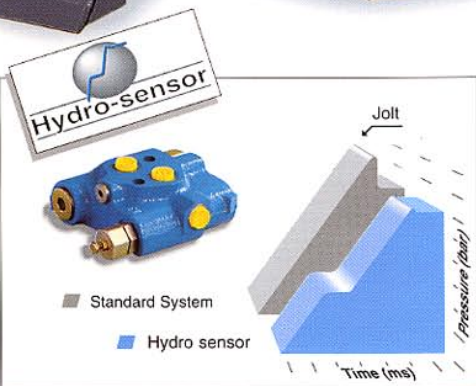
The wide soundproofed cover opens completely, giving excellent accessibility to the engine: all the maintenance and checking points are close at hand to save time. The steel cover is mounted recessed in relation to the counterweight to improve its protection.



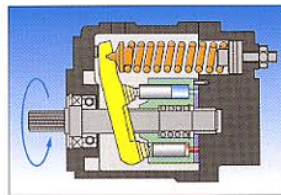
A Pel-Job exclusive: the radial piston slow slewing motor. This motor has a very high torque for flexible manoeuvres, and drives the crown directly without a mechanical reducer. The result is fewer moving parts and therefore less risk of wear. The automatic hydraulic brake integrated in the slewing motor immobilises the turret in all positions and guarantees optimum working safety even on a slope.



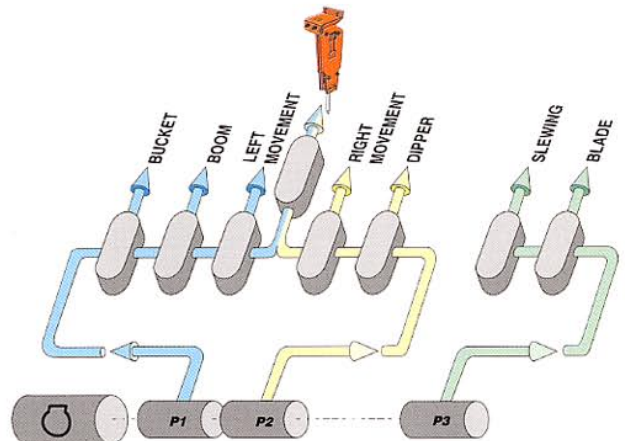
The dipper ram is equipped with an automatic energy recovery system which recycles the hydraulic oil displaced from the ram and speeds up the arm lowering movements.



The hydrosensor valve (Pel-Job patent) on the slewing circuit damps the pressure peaks and hydraulic shocks common on starting and stopping on conventional circuits. The result: a progressive pressure increase, greater flexibility and precision and less stressed and therefore more reliable mechanical parts



The heart of the Pel-Job EB 25.4: a Power Control variable-delivery pump which automatically matches the oil delivery to the efforts required, for optimum use of all of the engine's power.



Three pumps each supply a separate hydraulic circuit in order to ensure total independence of each movement. Thus, for example, turret slewing or blade lifting are completely independent of all the equipment or travel movements.

TECHNICAL DATA

Operational weight (1)	Steel tracks	Rubber tracks
Canopy version	2510 kg	2398 kg
Cab version	2635 kg	2523 kg
Ground pressure (cab)	0.30 kg/cm ²	0.28 kg/cm ²

Bucket performances	
Excavation force	2100 daN
Tear-out force	1515 daN

Buckets	
Standard bucket	500 mm (73 litres)
Other backhoe buckets available	from 250 to 750 mm (from 32 to 119 litres)
Cleaning bucket	1300 mm (153 litres)

Engine	
Type	Mitsubishi S3L2, water-cooled 3-cylinder engine
Cubic capacity	1318 cc
Rated horsepower (DIN 6270B)	27.4 hp (20 kW) at 2800 rpm
Installed horsepower (DIN 6270B)	21.7 hp (16 kW) at 2200 rpm
Maximum torque	78 Nm at 1600 rpm
Battery	12V - 70 AH
Engine monitoring	PUMA electronic control unit
Consumption (DIN 6270A)	3.6 litres/hour
Fuel tank capacity	30 litres
Maximum slope and bank	30° / 58% (engine's lubrication limit)

Hydraulic Power Control system with 3 independent circuits	
Controls	Power-assisted hydraulic controls
Equipment and travel pumps	Double, variable capacity Power Control pump
Delivery and pressure	2 x 22 litres/min. at 210 bar
Delivery of attachment circuit	44 litres/min.
Blade and slewing pump	Gear pump
Delivery and pressure	18 litres/min. at 170 bar
Total capacity of circuit	43 litres

Slewing system	
Slewing motor	Direct drive of the ring gear without reduction unit
Absorption of hydraulic shocks	Hydrosensor Shockless valve
Braking of slewing	Automatic multi-disc brake
Slewing speed	10.5 rpm

Lower chassis with hydraulic track tensioning	
Tractive force	2050 daN
Travel speed	2 speeds : 2.2 and 3.8 kmph

Sound level (dynamic measurement)	
Sound level exterior (LwA)	94 dB(A)
Sound level in the cab (LpA)	83 dB(A)
Sound level under the canopy (LpA)	78 dB(A)

Driver's stand	Canopy	Cab
Suspended seat	●	●
Seatbelt	○	●
FOPS 1 / TOPS protection	—	●
Heating and ventilation	—	●
Lighting	1 working light	1 working light

● : Standard equipment - ○ : Optional equipment

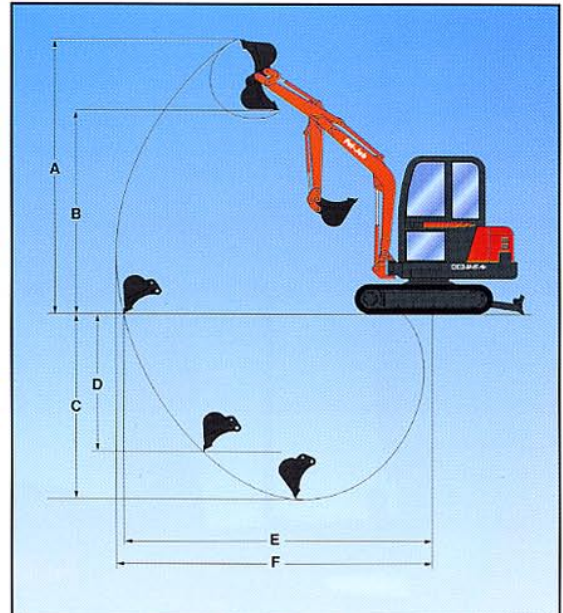
(1) The operational weight corresponds to the weight of the machine in working order (with a standard bucket and the tanks full), to which is added 75 kg corresponding to the weight of the driver. (In order to obtain the machine's transport weight, 75 kg needs therefore to be taken from the operational weight).

Other options and accessories available :

Breaker kit	Organic hydraulic oil	Special paint	Safety valve for handling with overload indicator
Hydraulic quick-release coupling	Catalytic exhaust	Revolving light	Working light on boom
Mechanical quick-release coupling	Rear working light	PUMA anti-theft system	

Refer also to the Pel-Job buckets and accessories catalogue.

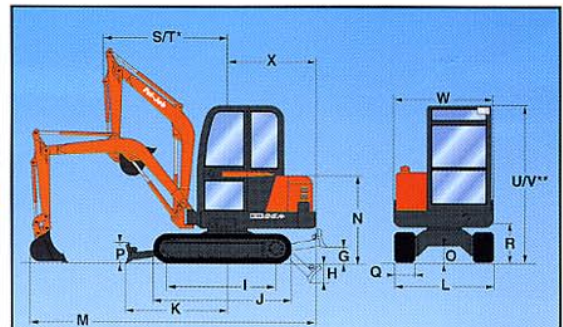
EB 25.4



Arm	A	B	C*	C	D	E	F
1200 mm	4195	3014	2820	2527	1818	4400	4525
1500 mm	4370	3188	3110	2827	2068	4697	4813

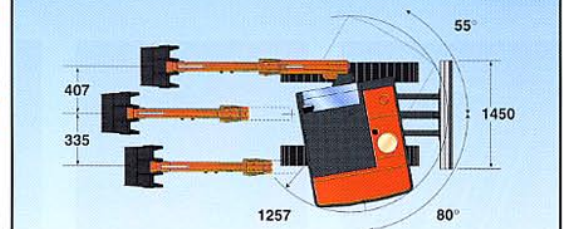
* Dig depth with blade down.

(mm)



* Front turning circle with max. offset

** Canopy

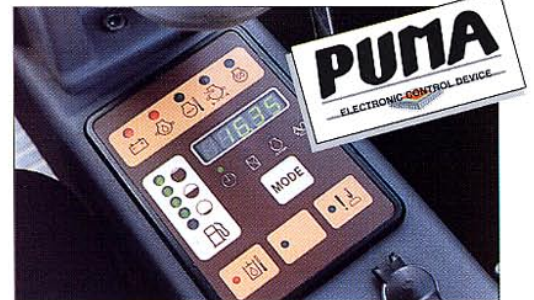


G	H	I	J	K	L	M	N	O
338	442	1278	1756	1415	1420	3972	1374	303
P	Q	R	S	T	U	V	W	X
337	300	551	1852	1485	2365	2273	1360	1205

(mm)



Operator comfort is a priority for Pel-Job. The operator's cab is spacious and easily accessible. The hydraulic controls are power-assisted and very progressive for more flexibility and precision. Pel-Job's new ergonomic manipulators feel good and are complemented by side arm rests which give a natural and very comfortable operating position.



The PUMA system on the EB 25.4 continuously monitors all the machine's vital functions and immediately informs the operator if there is a fault. The operator is therefore free to concentrate fully on operating the machine.



Very effective corrosion protection: all the nuts and bolts, the pins and the hydraulic pipes are zinc-plated and passivated.



All the equipment's hoses are free and sheathed and therefore without friction or wear and are connected at the bottom of the boom for very quick replacement, if necessary. The boom is mounted on a double-swivel articulated pivot which enables a long pin to be mounted and provides greater rigidity in the boom-chassis link. The boom cylinder's rod is fully protected against any knocks by sturdy armoring.



The EB 25.4 is provided as standard with two travel speeds, including a fast speed to speed up machine travel on the site.



Ride comfort is considerably improved thanks to the profile of the tracks and the alternating position of the guides which provides permanent contact with the rollers.



A technology to suit your needs.

Choosing Volvo Construction Equipment machines means having high quality and high productivity. It also means being assured of the reliability of machines built to take into account the needs of the operator as well as those of the environment. From each range you can choose the machine most suited to your needs, enabling you to improve the profitability of even the most difficult site in complete safety.

Compact & Service Equipment offers a complete range of compact excavators, compact loaders and excavators/loaders.

Ecomat Industrie S.A. - Avenue Charles de Gaulle - BP 119
F - 01303 Belley Cedex
Tél. : +33 (0)4 79 81 15 09 - Fax : +33 (0)4 79 81 39 63

In order to adapt their products continuously to suit the needs of users and the development of new techniques, Volvo Construction Equipment Group reserves the right to change their specifications without notice. The illustrations do not necessarily represent the standard versions of the machines.

**Volvo Construction
Equipment Group**

Ref. No. KON 2907721
CST 21 2 432 1005
Printed in France 04.98 N English