

# EB 150 / EB 200



**Pel-Job**

# NEW PEL-JOB MINI-EXCAVATORS



In order to design the new Pel-Job EB 150 and EB 200 machines, we watched you working, naturally. However, above all, we listened to you.

We listened to your desire to use machines which are more and more reliable, more and more efficient and more and more suited to your Company.

**A range in which you are sure to find**

# DEVELOPED FOR YOUR COMPANY



You must be able to demand anything from your work tool: more comfort, more versatility, more ease of maintenance. In short: more efficiency.

From all your remarks and suggestions was born a complete range of five mini-excavators between 1.5 and 2 tonnes.

**exactly the Pel-Job you expected.**

# SPEED AND EFFICIENCY

Like all Pel-Jobs, the new EB 150 and EB 200 have been designed to satisfy the most demanding operators. Thus, the dig depth, dumping height and bucket tear-out have increased significantly. A few minutes at the controls of one of these mini-excavators is enough to convince you!

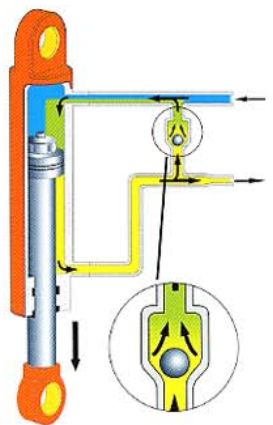
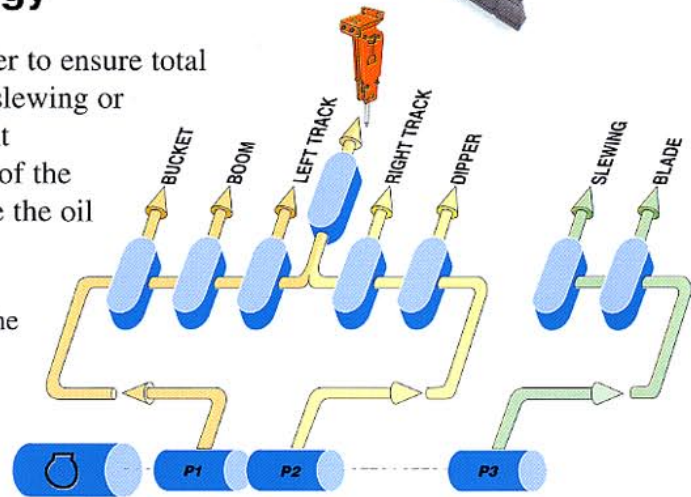


## Hydraulics at the forefront of technology

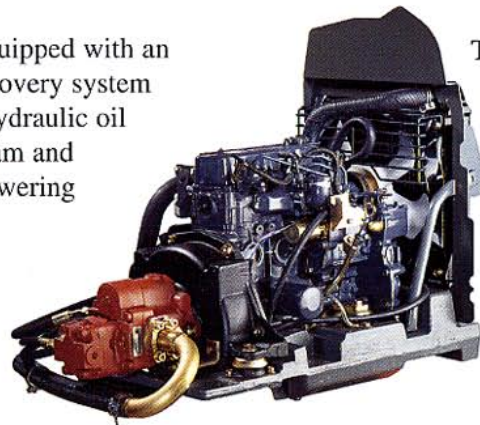
Three pumps each supply a separate hydraulic circuit in order to ensure total independence of each movement. Thus, for example, turret slewing or blade lifting are completely independent of all the equipment or travel movements. The attachment circuit has the benefit of the cumulative delivery of the two main pumps so as to increase the oil delivery available for a hydraulic rockbreaker.



The power-assisted hydraulic controls have the benefit of improved smoothness and precision thanks to new control valves. Digging or finishing work near pipes is thus perfectly mastered, in complete safety.



The dipper ram is equipped with an automatic energy recovery system which recycles the hydraulic oil displaced from the ram and speeds up the arm lowering movements.



The very quiet and clean diesel engine has plenty of power in reserve to cope with all working conditions.

## Impressive bucket forces

Because the efficiency of an excavator depends above all on the forces developed at the bucket, the new Pel-Job EB 150 and EB 200 have tearout and digging forces which are amongst the highest in their categories. The result is spectacular: despite their compactness, which enables them to work everywhere, these mini-excavators carry out the most difficult jobs in record time.



## Fast travelling to save time.



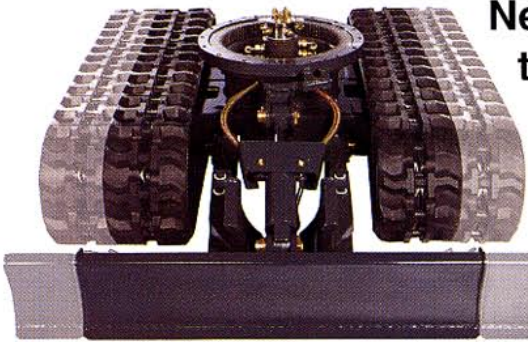
The new EB 150 and EB 200 XT and XTV are provided as standard with two travel speeds, including a fast speed to speed up machine travel on the site.



Ride comfort is considerably improved thanks to the new profile of the tracks and the alternating position of the guides which provides permanent contact with the running gear.

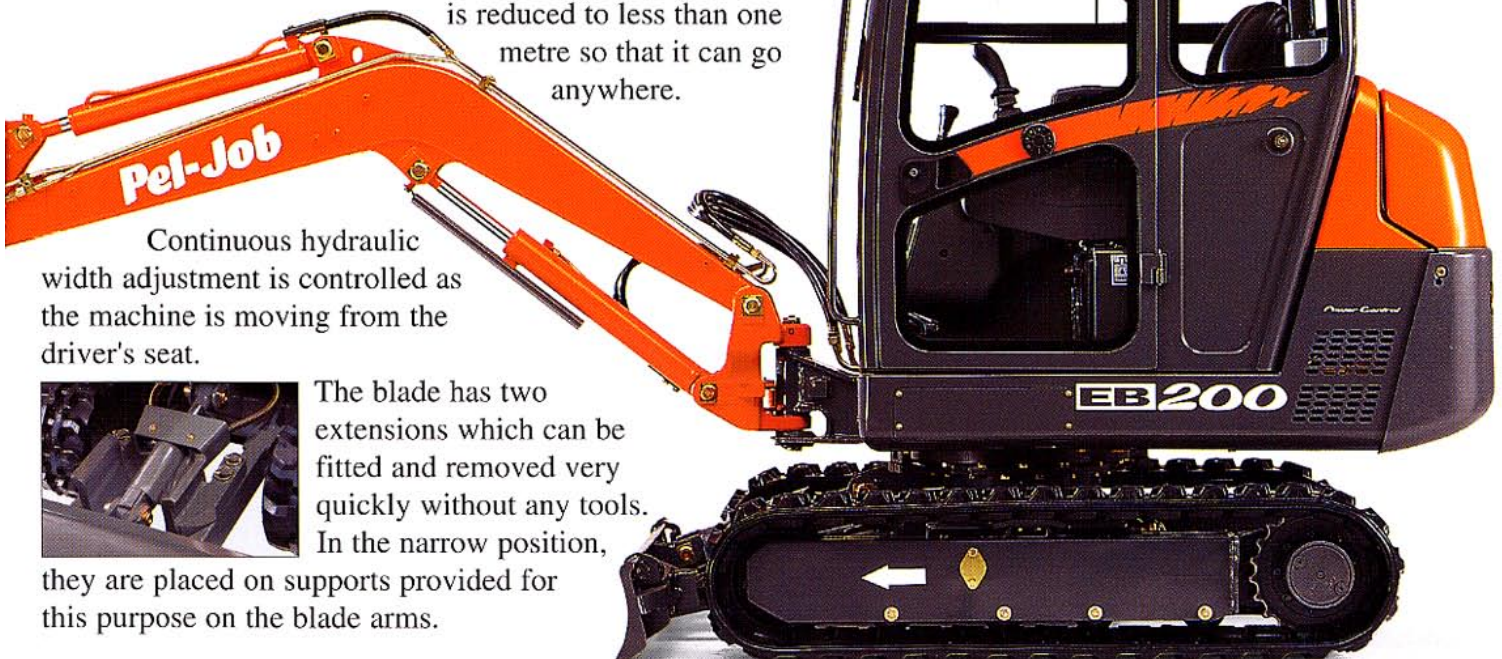


## New variable-width chassis : two machines in one.



With the new variable-width chassis of the XTV versions, Pel-Job offer you the possibility of choosing at any time between the exceptional stability of an extra-wide chassis and the versatility of a machine whose overall width is reduced to less than one metre so that it can go anywhere.

time between the exceptional stability of an extra-wide chassis and the versatility of a machine whose overall width is reduced to less than one metre so that it can go anywhere.



Continuous hydraulic width adjustment is controlled as the machine is moving from the driver's seat.



The blade has two extensions which can be fitted and removed very quickly without any tools.

In the narrow position, they are placed on supports provided for this purpose on the blade arms.

# NEVER HAS A MINI-EXCAVATOR BEEN

Take your place in the most spacious cab in its category. Install yourself comfortably on the suspended seat. The cab's very extensive glazed area and the plunging shape of the rear cover provide you with total visibility all around the machine. The smooth, sensitive power-assisted hydraulic controls are ideally situated running on from the ergonomically-designed armrests. The very advanced soundproofing of the engine provides an impressive result. You are ready to start a new site. You are at the controls of a Pel-Job, and that changes everything.



## A spacious, comfortable cab.

The new seat has suspension which can be adjusted to suit the operator's weight.



The powerful heating system can be adjusted directly in the cab and provides quick demisting of the windows thanks to directional nozzles.



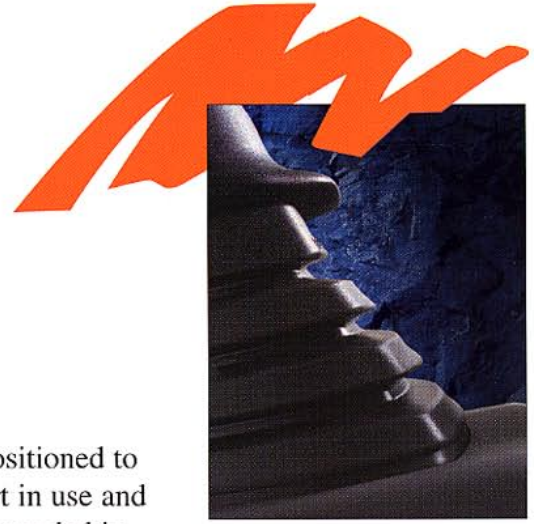
The cab is pre-equipped for a radio and two speakers.

The vast floor is flat and non-skid for greater safety.



# so COMFORTABLE

## Ideally positioned controls.



The new well-sited dashboard informs the operator at a glance about the operation of his machine.

The attachment circuit's control pedal is positioned to the right for more comfort in use and folds away when it is not needed in order to free up floor space.



The ergonomically-designed Pel-Job armrests are placed in the immediate vicinity of the manipulators to support the wrists and forearms. The result : a perfect operating position, more precision and less fatigue.



Pel-Job efficiency down to the smallest details: in addition to a control on the left-hand console, a fast speed changeover contactor is positioned directly on the blade lever to speed up backfill operations.



## A canopy offering perfect protection.

Very useful for working alongside a wall: the two consoles can be lifted to permit access from the right or from the left.

The canopy can be removed and refitted quickly. Equipped with a sheet steel roof, it has 4 uprights to guarantee protection and safety without equal.

# THE VERY BEST IN QUALITY AND

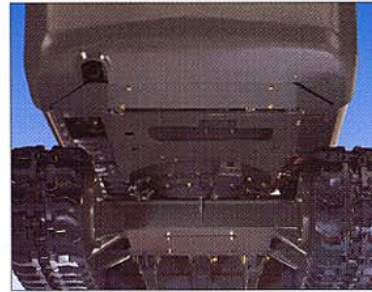
Top quality machines that achieve real cost effectiveness. Site after site, you will appreciate the result of our total commitment to Quality. Quality in design, in the choice of materials and in manufacturing, but also Quality in our ongoing concern to simplify all your maintenance operations as much as possible.



## The Pel-Job signature: sturdiness and reliability.



Computer-designed and then validated by resistance and endurance tests, the new boom concept is extremely sturdy thanks to the positioning of the welds in the low-stress zones.



You want a machine which is safe from all impacts: even the engine casing is protected by thick armour sheet steel.



The boom is mounted on a double-swivel articulated pivot which enables a long pin to be mounted and provides greater rigidity in the boom-chassis link.

The slewing ring gear is driven directly by a high-output hydraulic motor, without a reduction unit. The result: less noise, less play, and no expensive maintenance to provide.



## Mini-excavators which will look new longer.

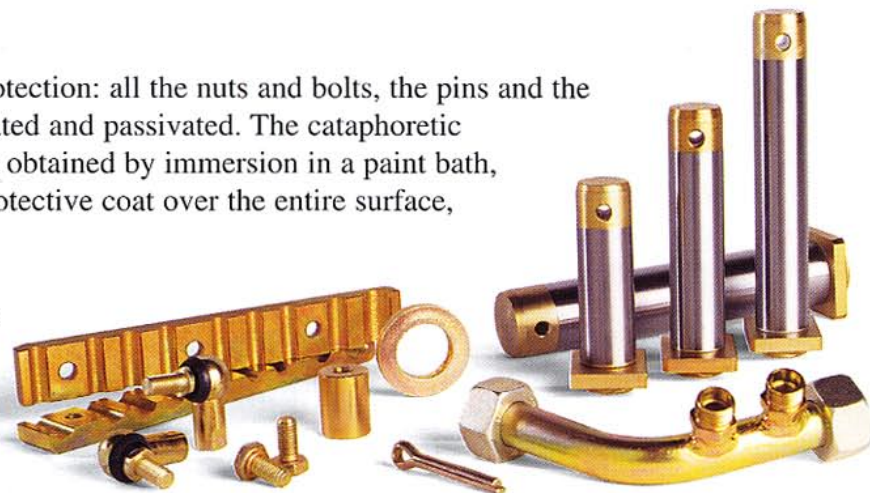


Uncompromising quality: all the electrical connections are sealed for more reliability.

Very effective corrosion protection: all the nuts and bolts, the pins and the hydraulic pipes are zinc-plated and passivated. The cathodic anti-corrosion treatment of the cab and canopy, obtained by immersion in a paint bath, ensures a uniform, lasting application of the protective coat over the entire surface, even in hollow parts.



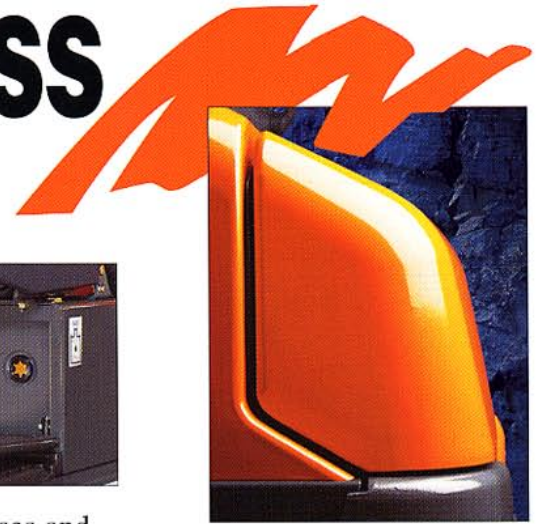
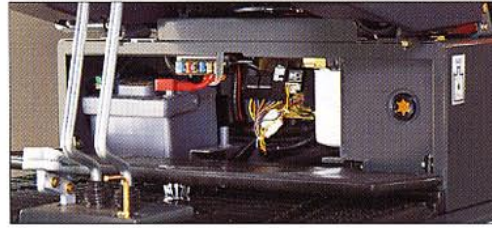
The eyes at the top provide for easy slinging of the mini-excavator without risking damaging the covers.





# COST EFFECTIVENESS

## Simplified maintenance operations



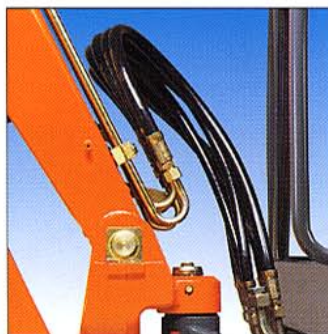
A wide trap-door gives access to the maintenance-free sealed battery, fuses and hydraulic filter.



The exclusive Pel-Job quick hitch system, available as an option, makes it possible to change attachments very quickly.



The diesel tank is made of transparent polyethylene so that the diesel level can be checked easily during filling. It also incorporates a very practical housing for the grease gun which is always to hand.

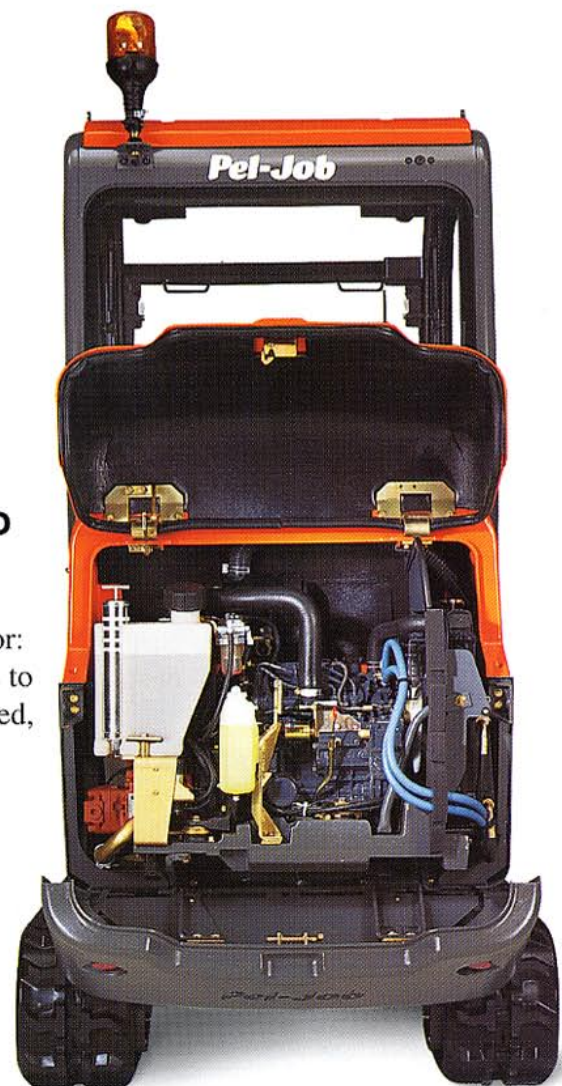


The hoses which supply the equipment are mounted loose at the bottom of the boom. They suffer less friction and wear, and can be replaced, if necessary, very quickly.

## The tilting counterweight : no longer do you have to choose between accessibility and sturdiness

This innovation will be a milestone in the history of the mini-excavator: the counterweight provides optimum protection of the rear part thanks to its wraparound shape, while at the same time providing, when it is tilted, total access to the engine compartment. The unlocking system is very easy to operate and thus facilitates all the maintenance and inspection operations enormously.

The hydraulic oil cooler which equips as standard the EB 150 and EB 200 is mounted on a sliding support to make it easier to clean. The fuel supply circuit has a transparent pre-filter which is very easy to monitor. A self-priming electric pump makes re-starting easier in the event of engine failure due to shortage of fuel.



# EB 150 : THE NEW REFERENCE

Every company and every user is unique. Pel-Job have understood this and offer you, with the EB 150, a complete choice of three versions. It is up to you to select exactly the mini-excavator corresponding to your own specification, with, after all, the certainty of investing with Pel-Job in an efficient, reliable and cost-effective machine.



## EB 150 XR

A 100% Pel-Job meets all your cost-effectiveness requirements without sacrificing anything in terms of performances.



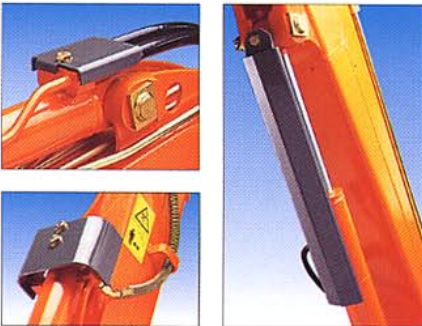
## EB 150 XT

Two travel speeds as standard and high-level comfort make this Pel-Job particularly pleasant to drive.

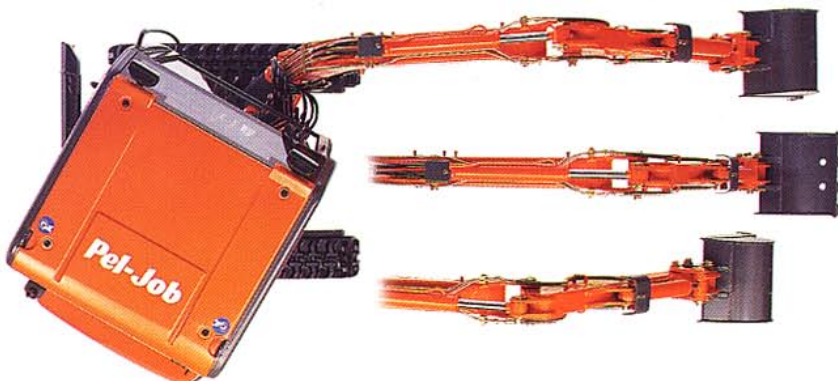


## EB 150 XTV

The variable-width chassis considerably increases the stability for better performances and safety.



Owing to the boom swing angle (140°) and to the compact and rounded shape of the engine canopy, works on confined spaces or alongside obstacles become very easy.



(mm)			
900	2200	2480	1510 daN
1150	2450	2620	
900-1225	2520	2710	960 daN

# EB 200 : AN INCOMPARABLE PEL-JOB

Look at the main characteristics of the new Pel-Job EB 200: the dig depth, dumping height and bucket forces reach levels until now reserved for heavier and above all bulkier mini-excavators. Easy to transport, the EB 200 opens up access to new, even more productive sites thanks to its perfect balance between compactness and out-of-the-ordinary performances.

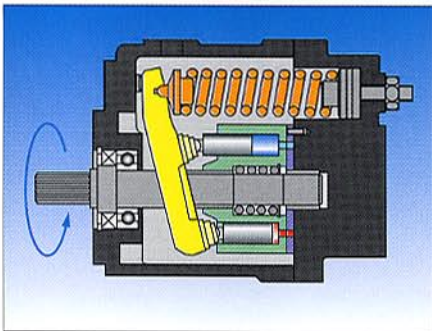


## EB 200 XT

An extremely efficient Pel-Job thanks to unequalled performances, high-level comfort and two travel speeds as standard.

## EB 200 XTV

Thanks to its variable-width chassis, the EB 200 XTV can get down a passageway one metre wide. In the working position, the widened chassis ensures stability without equal.



The heart of the new EB 200: a Power Control variable-delivery pump which automatically matches the oil delivery to the efforts required, for optimum use of all of the engine's power.

Spectacular equipment, high performances and great compactness: all the ingredients are there to improve your productivity on all sites, even the most confined ones.

EB 200 XTV: who other than Pel-Job can offer you so much performance in less than one metre of width ?



(mm)	1050	1300
2570	2670	2810
2810	2820	



<b>MODELS :</b>	<b>EB 200 XT</b>	<b>EB 200 XTV</b>
-----------------	------------------	-------------------

# EB 200

Operational weight with rubber tracks		
Canopy version	1650 kg	1745 kg
Cab version	1780 kg	1875 kg
Ground pressure	0,26 kg/cm <sup>2</sup>	0,28 kg/cm <sup>2</sup>

Bucket performances	
Excavation force	1850 daN
Tear-out force	1250 daN

Buckets	
Standard bucket	500 mm (62 litres)
Other backhoe buckets available	from 225 to 600 mm (from 28 to 77 litres)
Cleaning buckets	1000 mm (117 litres)

Water-cooled 3-cylinder diesel engine	
Type	Mitsubishi L3E
Cubic capacity	952 cc
Rated horsepower (DIN 6270 B)	19.0 hp (14.0 kW) at 2800 rpm
Installed horsepower (DIN 6270B)	15.5 hp (11.3 kW) at 2200 rpm
Maximum torque	54 Nm at 1850 rpm
Battery	12 V - 45 AH
Fuel tank capacity	21 litres
Maximum slope and bank	30° / 58 % (engine's lubrication limit)

Hydraulic system with 3 independent circuits	
Controls	power-assisted hydraulic controls
Pumps	triple, variable capacity Power Control pump
Delivery	21.5 + 21.5 + 14 litres/min.
Equipment and travel pressure	210 bar
Blade and slewing pressure	190 bar
Delivery of attachment circuit	43 litres/min.
Total capacity of circuit	23 litres

Lower chassis		
Type	Fixed	Variable
Tractive force	1770 daN	1770 daN
Travel speed	2,7 - 4,7 km/h	2,7 - 4,7 km/h
Slewing motor	Orbitrol with direct drive without reduction unit	
Slewing speed	10 rpm	

Sound level (dynamic measurement)	
Sound level exterior (LwA)	93 dB(A)
Sound level in the cab (LpA)	83 dB(A)
Sound level under the canopy (LpA)	81 dB(A)

4-post canopy		
FOPS 1 protection	●	●
Adjustable suspended seat	●	●
Lighting	1 working light	

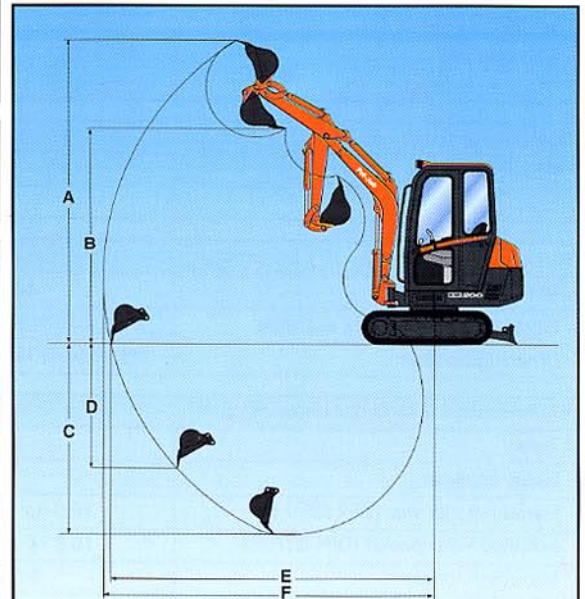
Cab heating and ventilation		
FOPS 1 and TOPS protection	●	●
Adjustable suspended seat	●	●
Pre-equipment radio	●	●
Lighting	2 working lights	
"Comfort" pack*	●	●

● : standard equipment - \* "Comfort" pack : insulating double cab roof and glove box behind seat.

#### Other options and accessories available :

Steel tracks (+60 kg)	Organic hydraulic oil	Special paint	Safety valve for handling
Double-acting hydraulic kit	Catalytic exhaust	Revolving light	Working light on boom
Mechanical quick release coupling	Rear working light		

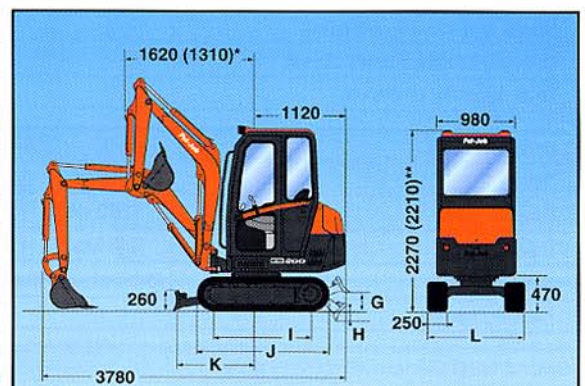
Refer also to the Pel-Job buckets and accessories catalogue.



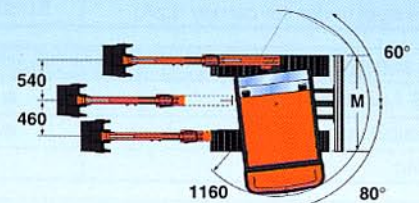
Arm	A	B	C*	C	D	E	F
1050 mm	3750	2670	2570	2350	1580	4010	4100
1300 mm	3900	2820	2810	2600	1800	4250	4340

\* Dig depth with blade down

(mm)



\* Front turning circle with max. offset \*\* Canopy



	G	H	I	J	K	L	M
EB 200 XT	250	275	1240	1630	1075	1200	1200
EB 200 XTV	240	230	1240	1630	945	1000-1350	980-1350

(mm)

<b>MODELS :</b>	<b>EB 150 XR</b>	<b>EB 150 XT</b>	<b>EB 150 XTV</b>
-----------------	------------------	------------------	-------------------

# EB 150

<b>Operational weight with rubber tracks</b>			
Canopy version	1435 kg	1485 kg	1605 kg
Cab version	1565 kg	1615 kg	1735 kg
Ground pressure	0,30 kg/cm <sup>2</sup>	0,30 kg/cm <sup>2</sup>	0,32 kg/cm <sup>2</sup>

<b>Bucket performances</b>	
Excavation force	1510 daN
Tear-out force	960 daN

<b>Buckets</b>	
Standard bucket	400 mm (33 litres)
Other backhoe buckets available	from 200 to 600 mm (from 14 to 53 litres)
Cleaning buckets	from 850 to 1000 mm (from 52 to 60 litres)

<b>Water-cooled 3-cylinder diesel engine</b>	
Type	Mitsubishi L3E
Cubic capacity	952 cc
Rated horsepower (DIN 6270 B)	19.0 hp (14.0 kW) at 2800 rpm
Installed horsepower (DIN 6270B)	15.5 hp (11.3 kW) at 2200 rpm
Maximum torque	54 Nm at 1850 rpm
Battery	12 V - 45 AH
Fuel tank capacity	21 litres
Maximum slope and bank	30° / 58 % (engine's lubrication limit)

<b>Hydraulic system with 3 independent circuits</b>	
Controls	power-assisted hydraulic controls
Pumps	Triple gear pump
Delivery	16 + 16 + 11 litres/min.
Equipment and travel pressure	170 bar
Blade and slewing pressure	165 bar
Delivery of attachment circuit	32 litres/min.
Total capacity of circuit	23 litres

<b>Lower chassis</b>			
Type	Fixed	Fixed	Variable
Tractive force	1260 daN	1440 daN	1440 daN
Travel speed	2,0 km/h	2,0 - 3,5 km/h	2,0 - 3,5 km/h
Slewing motor	Orbitrol with direct drive without reduction unit		
Slewing speed	9 rpm		

<b>Sound level (dynamic measurement)</b>			
Sound level exterior (LwA)	95 dB(A)	93 dB(A)	93 dB(A)
Sound level in the cab (LpA)	81 dB(A)	80 dB(A)	80 dB(A)
Sound level under the canopy (LpA)	81 dB(A)	80 dB(A)	80 dB(A)

<b>4-post canopy</b>			
FOPS 1 protection	●	●	●
Adjustable suspended seat	●	●	●
Lighting	1 working light		

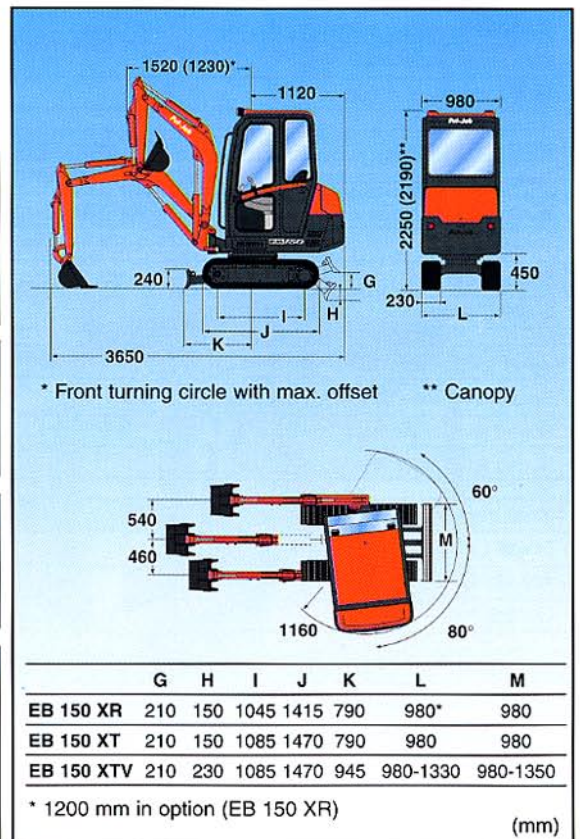
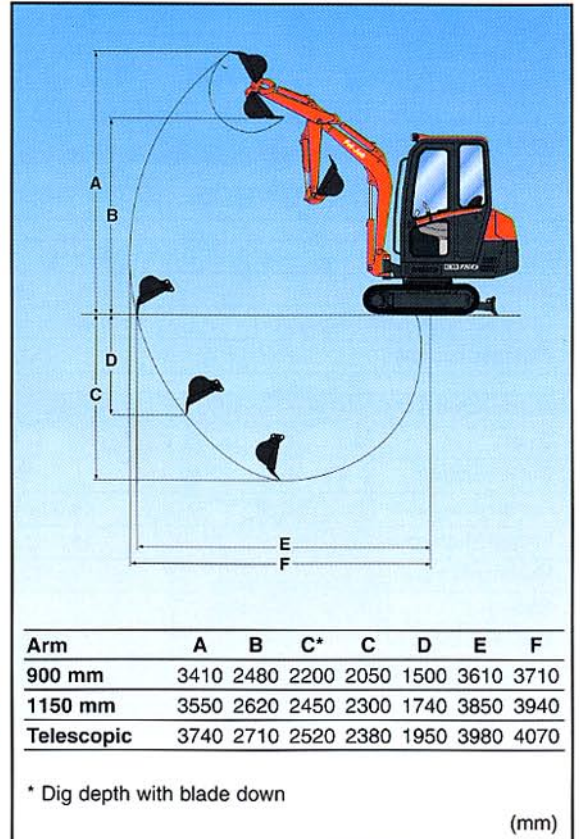
<b>Cab heating and ventilation</b>			
FOPS 1 and TOPS protection	●	●	●
Adjustable suspended seat	●	●	●
Pre-equipment radio	●	●	●
Lighting	2 working lights		
"Confort" pack*	○	●	●

● : standard equipment - ○ : optional equipment - \* "Confort" pack : insulating double cab roof and glove box behind seat.

#### Other options and accessories available :

Steel tracks (+60 kg)	Organic hydraulic oil	Special paint	Safety valve for handling
Double-acting hydraulic kit	Catalytic exhaust	Revolving light	Wide undercarriage (1200 mm) on EB 150 XR
Mechanical quick release coupling	Rear working light	Working light on boom	

Refer also to the Pel-Job buckets and accessories catalogue.





## **A technology to suit your needs.**

Choosing Volvo Construction Equipment machines means having high quality and high productivity. It also means being assured of the reliability of machines built to take into account the needs of the operator as well as those of the environment. From each range you can choose the machine most suited to your needs, enabling you to improve the profitability of even the most difficult site in complete safety.

*Compact & Service Equipment offers a complete range of compact excavators, compact loaders and excavators/loaders.*

**Ecomat Industrie S.A.** - Avenue Charles de Gaulle - BP 119  
F - 01303 Belley Cedex  
Tél. : +33 (0)4 79 81 15 09 - Fax : +33 (0)4 79 81 39 63

*In order to adapt their products continuously to suit the needs of users and the development of new techniques, Volvo Construction Equipment Group reserves the right to change their specifications without notice. The illustrations do not necessarily represent the standard versions of the machines.*

**Volvo Construction  
Equipment Group**

23 2 432 1004  
Printed in France 02.98