

(1)- Arm 1500 mm - (2)- Arm 1900 mm
With tyres 15,5x55R18

mm	A	A1	B	C1	C2	D	E	E1	E2	F	G	H	I	K	L	M
1	5395	3963	1750	1871	2875	291	2050	2931	3385	1200	1745	1482	373	2100	4254	842
2	5651	3963	1750	1871	2875	291	2050	2931	3385	1200	1745	1482	373	2100	4254	842

OPERATING MASS

With tyres 15,5x55R18
600 mm bucket,
Standard backfill blade: 5050 kg

DIESEL ENGINE

Type Perkins 104.22 - 2216 cm³
4 cylinders, indirect injection.
Water-cooled.
Net engine power (SAE.J1349):
..... 50 CV (36.8 KW) at 2800 rpm
Net installed power (D.80/1269 CEE):
..... 45.8 CV (33.7 KW) at 2500 rpm

SPEED

Travel:
• Selection "Fast": 1: 18 km/h
• Selection "Fast": 2: 8 km/h
• Selection "Slow" 1: 6 km/h
• Selection "Slow" 2: 3 km/h
Slewing: 8 rpm

WHEELS

Tyres: 12x18
..... 15.5x55R18
Twin wheels 7.5x18
Traction force : 2865 daN

STEERING

Hydrostatic.
Turning radius (outside of wheels):
(With tyres 15.5x55R18): 5515 mm

ACCESSORIES

Hydraulic rock breakers.
Buckets-Backhoe-Ditch cleaning:
• standard attachment
• snap-action
Auger - Brush cutter

HYDRAULIC SYSTEM

"LOAD SENSING" system.
Capacity of circuit: 106 l
• Power-assisted hydraulic controls.

Travel and excavation equipment circuit:

• A variable output "Load Sensing" pump with power control:
- Excavation equipment:
• Operating pressure: 250 bar
• Secondary pressure: 290 bar
Travel:
• Operating pressure: 280 bar

Blade and slewing circuit:

A gear pump:
• Operating pressure: 175 bar

Accessories circuit:

• Max. flow rate(Load Sensing): ... 75 l/min

POWER OF EQUIPMENT

Wrenching force
(on bucket blade):
• with bucket cylinder: 3654 daN
• with arm cylinder: 2733 daN

DIESEL OIL

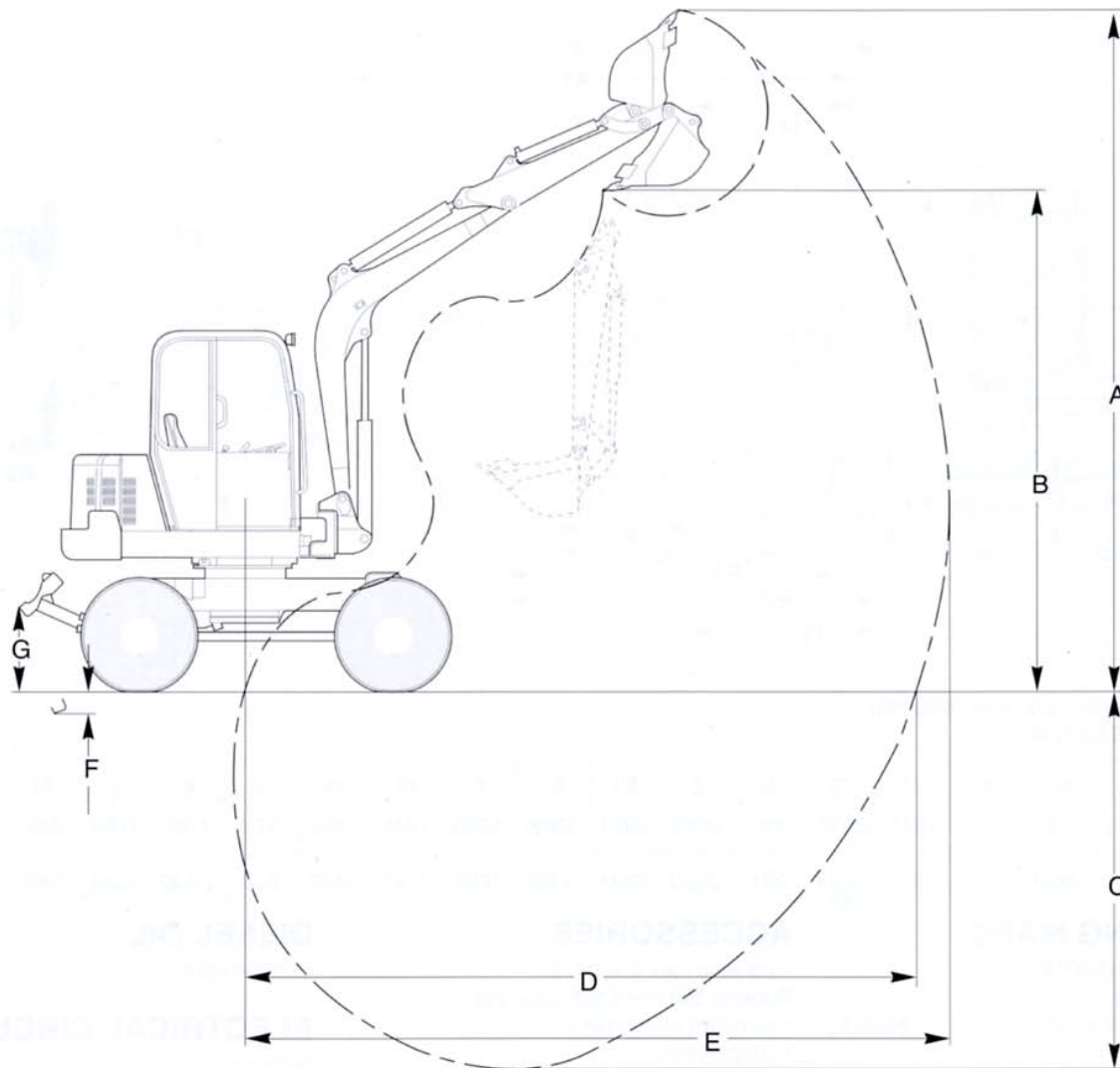
Consumption: 5,5 l/h

ELECTRICAL CIRCUIT

Battery: 12 V - 95 AH
Alternator: 12 V - 35 A
Starting motor: 12 V - 2 KW

SOUNDPROOFING

Soundproofing in accordance with existing EEC directive.
• Outside sound level (L_{WA}):
(D.86/662 CEE) 98 dB(A)
• Sound level in the cab (L_{pA}):
..... 80 dB(A)



- (1)- Arm 1500 mm
- (2)- Arm 1900 mm

mm	A	B	C	D	E	F	G
(1)	5437	3987	3133	5474	5712	232	652
(2)	5643	4193	3533	5872	6092	232	652

E5400398/GB- M3-08/96

Pel-Job 

ECOMAT
 AVENUE CHARLES DE GAULLE
 01303 BELLEY Cédex - FRANCE

Tél. 04 79 81 15 09
 Téléfax 04 79 81 39 63

Machine designed and
 manufactured in France

In accordance with its established
 policy of constant improvement **PEL-
 JOB** reserves the right to amend this
 specifications without notice.

Groupe Pel-Job