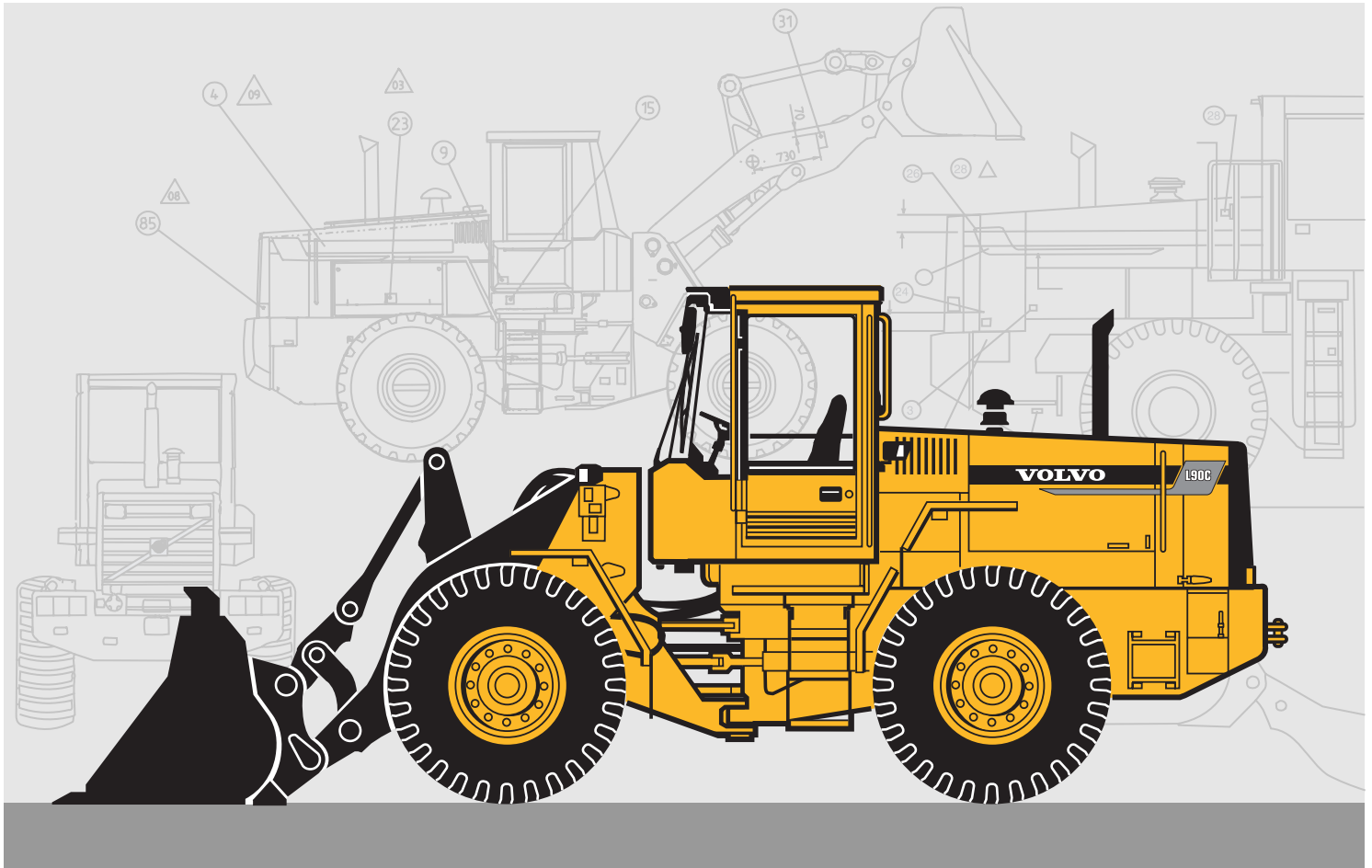


VOLVO WHEEL LOADER

L90C



- **Engine output SAE J1349:**
gross 118 kW (160 hp)
net 113 kW (153 hp)
- **Operating weight:** 14,4–16,1 t
- **Buckets:** 2,2–7,0 m³
- **Volvo high performance-low emission engine**
 - with excellent low rpm lugging performance
 - meets all known exhaust emission regulations for off-road vehicles until 2002

- **Volvo transmission with APS II**
 - 2nd generation Automatic Power Shift with mode selector
 - optimises performance
- **Wet disc brakes**
 - fully sealed oil-circulation cooled
 - outboard mounted
- **Torque Parallel Linkage**
 - high breakout torque throughout the working range
 - excellent parallel lift-arm action

- **Care Cab** – pressurized cab with high comfort and safety
- **Contronic monitoring system**
- **Load-sensing steering system**
- Pilot-operated working hydraulics

Optional Equipment

- Hydraulic attachment bracket
- Boom Suspension System
- Comfort Drive Control

VOLVO



SERVICE REFILL CAPACITIES

Contronic monitoring system provides information on machine condition, routine maintenance schedules and minimizes time required for troubleshooting.

Service accessibility: Large, easy-to-open engine access doors with gas struts. Hinged radiator grille and radiator.

Fuel tank	210 l	Transmission	33 l
Engine coolant	53 l	Engine oil	16 l
Hydraulic tank	130 l	Axle front / rear	36/41 l



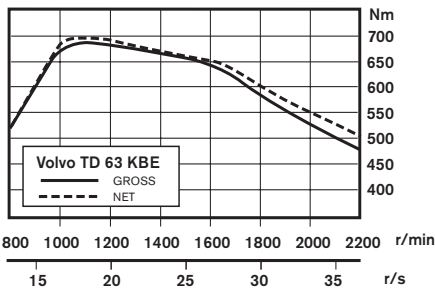
ENGINE

Engine delivers high torque and quick response at low rpm even under full load. The machine can work at low engine speeds, which contributes to good fuel economy, less noise, less wear and longer life.

Engine: 6-cylinder, in-line, direct-injected, turbocharged, intercooled 4-stroke diesel engine with wet replaceable cylinder liners.

Air cleaning: three-stage.

Engine	Volvo TD 63 KBE
Flywheel output at	35 r/s (2 100 r/min)
SAE J1349 gross	118 kW (160 hp)
SAE J1349 net	113 kW (153 hp)
Max. torque at	18,3 r/s (1 100 r/min)
SAE J1349 gross	695 Nm
SAE J1349 net	690 Nm
Displacement	5,48 l



ELECTRICAL SYSTEM

Contronic monitoring system with complete information on the status of the machine's various systems is standard. Electrical system with circuit board is well protected by fuses. Prepared for retrofitting of optional equipment.

Central warning: Central warning lamp for the following functions: engine oil pressure, engine coolant temperature (with buzzer), hydraulic oil pressure in transmission, transmission oil temperature, brake pressure, parking brake (buzzer), shut down to idle as standard.

Voltage	24 V
Batteries	2x12 V
Battery capacity	2x105 Ah
Alternator rating	1 680 W / 60 A
Starter-motor output	5,4 kW (7,3 hp)



DRIVETRAIN

Drivetrain and working hydraulics well-matched to each other. Dependable design. Quick acceleration boosts productivity. Volvo system-compatible design facilitates servicing.

Torque converter: Single-stage

Transmission: Volvo Power Shift transmission of countershaft type with single-lever control. Fast and smooth forward/reverse shifting.

Shifting system: Volvo Automatic Power Shift (APS II) with mode selector.

Axles: Volvo, fully floating axle shafts with planetary-type hub reductions. Cast-steel axle housing. Fixed front axle and oscillating rear axle. 100 % differential lock on front axle.

Transmission	Volvo HT 131
Torque multiplication	2,66:1
Speeds, max forward/reverse	
1	7,1 km/h
2	13,3 km/h
3	27,7 km/h
4 (forward only)	38,2 km/h
Measured with tires	20,5 R25* L2
Front axle	Volvo / AWB 30
Oscillation, rear axle	±15°
Ground clearance at	
15° oscillation	505 mm



BRAKE SYSTEM

Simple, reliable system with few parts ensures high availability and safety. Self-adjusting internal oil circulation-cooled disc brakes give long service intervals.

Service brakes: Volvo, dual-circuit system with nitrogen-charged accumulators for dead engine braking. Fully hydraulically operated enclosed internal oil circulation-cooled, outboard mounted disc brakes. Transmission declutch during braking can be preselected by a switch on the instrument panel. Brake performance test by the Contronic system.

Parking brake: Mechanically operated disc brake on front axle input shaft.

Secondary brake: Either of the service brake circuits or the parking brake fulfills ISO/SAE safety requirements.

Standards: The brake system complies with the requirements of ISO 3450, SAE J1473

Number of discs/wheel	1
Number of accumulators	2
Volume, each	1,0 l

OPERATIONAL DATA, VOLVO L90C

		GENERAL PURPOSE								LIGHT MATERIAL	
Tires 20.5 R25*		Teeth	Bolt-on edge	Teeth	Teeth	Bolt-on edge	Bolt-on edge	Bolt-on edge	Bolt-on edge	Bolt-on edge	Bolt-on edge
Volume, heaped ISO/SAE	m ³	2,2	2,5	2,5	2,5	2,6	2,6	2,7	2,7	4,1	7,0
Actual volume, 110%	m ³	2,4	2,8	2,8	2,8	2,9	2,9	3,0	3,0	4,5	7,7
Static tipping load, straight	kg	10 180	9 760	9 970	10 550	9 770	10 410	9 720	10 290	9 550	9 270
at 35° turn	kg	9 010	8 600	8 800	9 350	8 610	9 210	8 550	9 090	8 400	8 100
at full turn	kg	8 660	8 250	8 450	8 980	8 250	8 850	8 190	8 730	8 050	7 750
Breakout force	kN	115,1	104,9	108,0	118,2	102,9	112,1	101,0	109,8	82,0	70,4
A	mm	7 610	7 550	7 700	7 600	7 580	7 470	7 610	7 500	7 930	8 230
E	mm	1 130	1 250	1 220	1 100	1 280	1 180	1 300	1 200	1 590	1 860
H*)	mm	2 730	2 770	2 670	2 750	2 750	2 830	2 730	2 810	2 520	2 320
L	mm	5 380	5 430	5 460	5 400	5 460	5 400	5 490	5 430	5 560	5 770
M*)	mm	1 240	1 150	1 300	1 230	1 170	1 100	1 190	1 120	1 440	1 660
N*)	mm	1 780	1 720	1 800	1 770	1 730	1 690	1 730	1 690	1 750	1 730
V	mm	2 650	2 650	2 650	2 650	2 650	2 650	2 650	2 650	2 750	3 000
a ₁ clearance circle	mm	12 160	12 060	12 210	12 140	12 080	12 010	12 100	12 030	12 390	12 810
Operating weight	kg	15 060	15 190	15 140	14 910	15 220	15 000	15 250	15 020	15 300	15 710

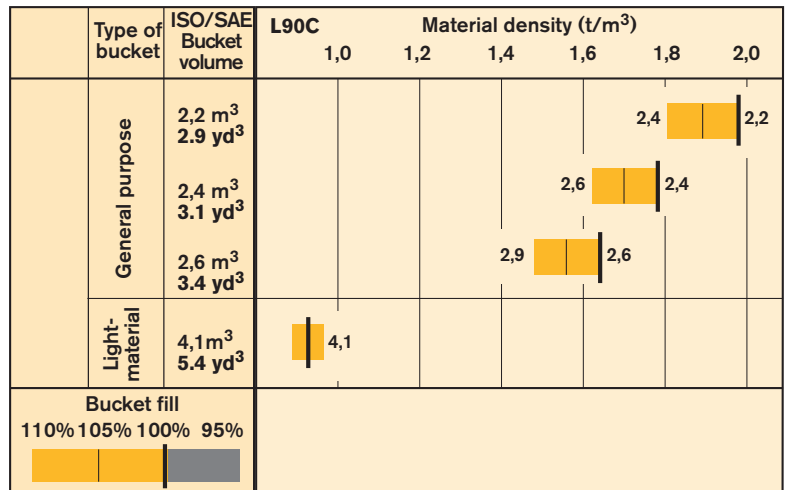
*) at dump angle 45° Including counterweight 1

BUCKET SELECTION CHART

The choice of bucket is determined by the density of the material and the bucket fill factor. The TP-linkage uses a very open bucket design, has very good roll back in all positions plus fills the bucket very well. This means that the actual volume carried is often larger than the rated capacity of the bucket. Bucket fill factors of different materials and how they effect the actual bucket volume are shown in the table. **Example: Sand and gravel. Fill factor ~105%. Density 1,7 ton/m³. Result: The 2,4 m³ bucket carries 2,5 m³.** For optimum stability always consult the bucket selection chart.

Material	Bucket fill %	Material density ton/m ³	ISO/SAE bucket volume, m ³	Actual volume, m ³
Earth/Clay	~ 110	~ 1,8	2,2	~ 2,4
		~ 1,7	2,4	~ 2,6
		~ 1,5	2,6	~ 2,9
Sand/Gravel	~ 105	~ 1,9	2,2	~ 2,3
		~ 1,7	2,4	~ 2,5
		~ 1,6	2,6	~ 2,7
Aggregate	~ 100	~ 1,9	2,2	~ 2,2
		~ 1,8	2,4	~ 2,4
		~ 1,6	2,6	~ 2,6
Rock	≤ 100	~ 1,7	2,2	~ 2,2

The size of rock buckets is optimized for optimal penetration and filling capability rather than the density of the material.



SUPPLEMENTAL OPERATING DATA

		Excluding counterweight 1	Counterweight 2
Operating weight	kg	-300	+500
Tipping Load, full turn	kg	-500	+800

Counterweight 2, and combinations of counterweight 1 and 2, may be used within pallet and material arms handling for stabilizing purposes on firm and level ground.

Counterweight 2 replaces hydroinflation of rear tires and must never be combined with tire chains.

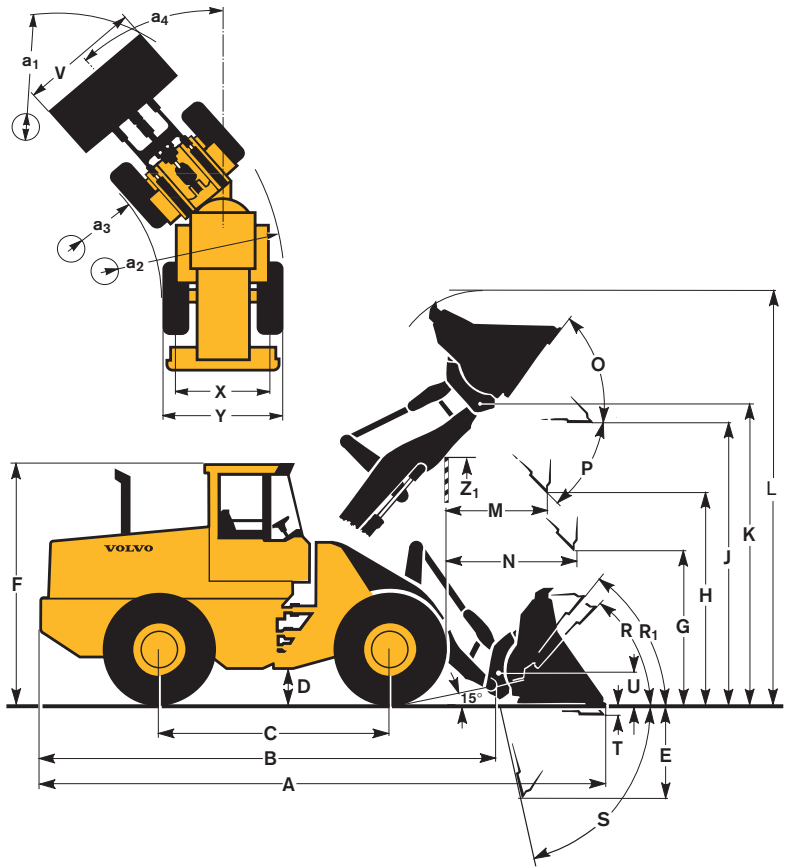
OPERATIONAL DATA & DIMENSIONS

Tires: 20.5 R25* L2

B	6 050 mm
C	3 000 mm
D	410 mm
F	3 270 mm
G	2 135 mm
J	3 650 mm
K	3 960 mm
O	57°
P	45° (P max 49°)
R	44°
R ₁ *	48°
S	67°
T	110 mm
U	450 mm
X	1 960 mm
Y	2 490 mm
Z	3 060 mm
a ₂	5 370 mm
a ₃	2 880 mm
a ₄	±40°

* Carry position SAE

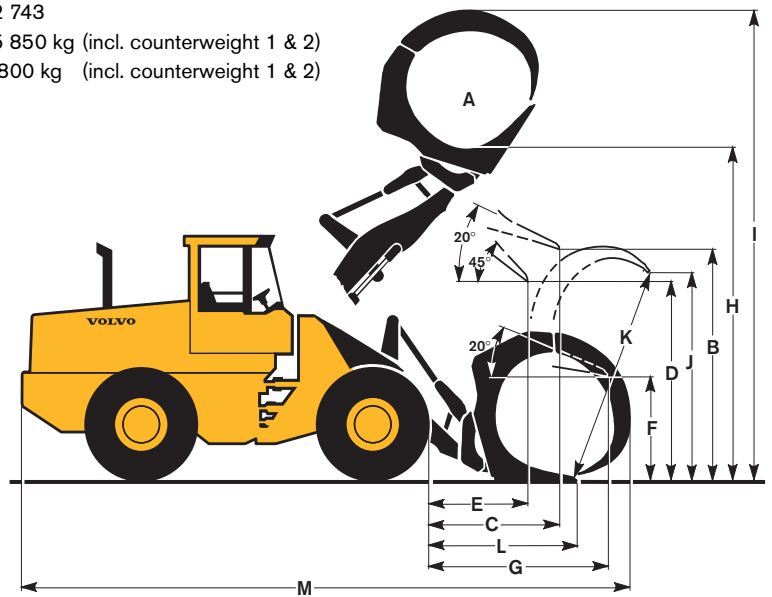
Where applicable, specifications and dimensions are in accordance with ISO 7131, SAE J732, ISO 7546, SAE J742, ISO 5998, SAE J818, ISO 8313.



GRAPPLE (Hook on)

A	1,8 m ²
B	3 440 mm
C	1 670 mm
D	2 890 mm
E	1 310 mm
F	1 470 mm
G	2 610 mm
H	4 520 mm
I	6 260 mm
J	2 400 mm
K	2 590 mm
L	1 990 mm
M	8 210 mm

Tires: 20.5 R25* L2
 Order No: 92 743
 Operating weight: 15 850 kg (incl. counterweight 1 & 2)
 Operating load: 4 800 kg (incl. counterweight 1 & 2)





STEERING SYSTEM

Low-effort steering gives short work cycle times. Power-efficient system provides good fuel economy, good directional stability and smooth ride.

Steering system: Load-sensing hydrostatic articulated steering.

System supply: The steering system is supplied from a separate steering pump.

Pump: Variable-flow axial piston pump.

Cylinders: Two double-acting cylinders.

Steering cylinders.....	2
Bore	70 mm
Piston rod diameter	40 mm
Stroke	419 mm
Relief pressure	21 MPa
Max. flow	91 l / min
Articulation	±40°



CAB

Care Cab with easy entry and wide door opening. Lined with sound-absorbent material. Sound- and vibration-suppressing suspension. Good all round visibility, large glass areas. Curved windshield of laminated, green-tinted glass. Ergonomically located controls and instruments permit a comfortable operating position.

Instrumentation: All information important to the operator is readily visible in front of him. Cab display for Contronic monitoring system.

Heater and defroster: Heating element with filtered fresh air and four-speed fan. Defroster outlets for all windows.

Operator's seat: Spring suspended, adjustable operator's seat with belt. The seat is mounted on a bracket on the rear wall. The force from the belt is absorbed by the seat rails.

Standards: Tested and approved according to the following standards: ROPS (ISO/CD 3471, SAE J1040), FOPS (ISO 3449, SAE J231). Complies with "Overhead guards for rider lift trucks" (ISO 6055) and "Operator Restraint System" (SAE J386).

Emergency exits.....	2
Sound level in cab as per ISO 6396, max fan position.....	72 dBA
fan position 2	69 dBA
Ventilation	10 m ³ /min
Heating capacity	11 kW (37 500 Btu/h)
Air conditioning (optional)	8 kW (27 300 Btu/h)



HYDRAULIC SYSTEM

Open centre hydraulics with highly efficient vane pumps allows precision control even at low rpm's together with quick movements thanks to the high capacity pumps.

Pump: Vane pump fitted to a power take-off on the transmission. The pilot system is supplied from a combined pilot/brake pump.

Valve: Double-acting 3-spool valve. The control valve is actuated by a 3-spool pilot valve.

Lift function: The valve has four functions: raise, hold, lower and float. Inductive/magnetic automatic boom kickout can be switched on and off and is adjustable to any position between maximum reach and full lift height.

Tilt function: The valve has three functions: rollback, hold and dump. Inductive/magnetic automatic bucket positioner that can be switched on and off.

Cylinders: Double-acting

Filter: Full-flow filtration through 20 µm (absolute) filter cartridge.

Vane pump	
Relief pressure	22,5 MPa
Flow	202 l/min
at	10 MPa
and engine speed	35 r/s (2 100 r/min)
Pilot system	
Relief pressure	3,0 MPa
Cycle times	
Raise*	5,5 s
Dump*	1,9 s
Lower, empty	2,3 s
Total cycle time	9,7 s

* with load as per ISO 5998 and SAE J818



LIFTARM SYSTEM

TP Linkage combines high breakout torque throughout the working range with nearly exact parallel lift-arm action. These features together with high lift height and long reach make the lift-arm system equally as good in bucket loading as in work with fork attachments and material handling arms.

Lift cylinder	2
Bore	130 mm
Piston rod diameter	70 mm
Stroke	710 mm
Tilt cylinder	1
Bore	190 mm
Piston rod diameter	90 mm
Stroke	430 mm

STANDARD EQUIPMENT

Engine

Air cleaner, dry type, dual element, exhaust aspirated pre-cleaner
Coolant level, sight gauge
Engine intake manifold preheater
Muffler, spark arresting

Electrical System

24V – prewired for optional accessories
Alternator, 24V, 60 A
Battery disconnect switch
Fuel gauge
Hourmeter
Horn, electric
Instrument panel with symbols
Lights:
• driving (2 front), halogen with high/low beam
• parking lights
• stop/tail combination (2 rear)
• turn signals with hazard warning switch
• working lights, halogen (2 front, 2 rear)
• instrument lighting
Contronic Monitoring System, ECU
Neutral start feature
Test function for warning & monitoring lights

Warning & monitoring lights:

- engine oil pressure
- engine coolant temperature
- air cleaner restriction
- alternator malfunction
- working lights
- high beam driving lights
- direction indicator, hazard

Warning flasher:

- transmission oil pressure
- transmission oil temperature
- brake system pressure
- parking brake applied

Central warning (with buzzer):

- engine oil pressure
- engine coolant temperature (buzzer)
- transmission oil pressure
- transmission oil temperature
- brake system pressure

Drivetrain

Transmission: modulated with single lever control, Automatic Power Shift, and operator controlled declutch

Differentials:

- front 100 % hydraulic differential lock
 - rear, conventional
- Tires 20.5 R25* L2 Goodyear

Brake System

Wet, internal oil circulation cooled, disc brakes, 4-wheel, dual circuit
Brake system, secondary
Parking brake alarm

Cab

ROPS (SAE J10400C) (ISO 3471), FOPS (SAE J 231) (ISO 3449).
Acoustical lining
Ashtray
Cigarette lighter
Door lockable (left side access)
Heater/defroster/pressurizer 11 kW, 37 500 Btu/h with four speed blower fan
Filtered air
Floor mat
Interior light
Interior rearview mirror
Mirrors rearview (2), exterior
Openable window, right-hand side
Safety glass, tinted
Seat belt (SAE J386)
Seat, heated, ergonomically designed, suspension adjustable
Storage compartment
Sun visor
Windshield wiper, front & rear
Intermittent wiper, front
Cab access steps and handrails
Fenders, front & rear with anti-skid-tape

Hydraulic System

Main valve, 3-Spool, pilot operated
Pilot valve, 3-spool
Vane pump
Bucket lever detent
Bucket leveler, automatic with position indicator, adjustable
boom lever detents
Boom kickout, automatic, adjustable
Hydraulic control lever safety latch
Boom lowering system
Hydraulic pressure test ports, Quick connect
Hydraulic fluid level, sight gauge
Hydraulic oil cooler

External Equipment

Isolation mounts: cab, engine, gearbox
Lifting lugs
Side panels, engine hood
Steering frame lock
Vandalism lock, provision for: batteries, engine oil

OPTIONAL EQUIPMENT (Standard in certain markets)

Service and maintenance equipment

Tool box
Tool kit
Air pressure equipment
Anti-freeze container
Wheel nut wrench kit

Engine

Coolant filter
Extra fuel filter
Cold starting aid, engine coolant preheater (220V/1500 W)
Pre-cleaner, oil bath type
Pre-cleaner, turbo type
Radiator, corrosion protected

Electrical System

Reverse alarm (SAE J994)
Attachment lights
Working lights front, extra
Working lights rear, extra
Rotating beacon, amber with collapsible mount
Alternator, brushless
Head lights assym. left
Jump-start connector (Nato)
Light, registration plate
Side marker lights
Contronic display

Shut down to idle at

- high engine coolant temp
 - low engine oil pressure
 - high transm. oil temp
- Parking brake applied and transmission in forward or reverse (buzzer)

Drivetrain

Forward and reverse switch
Speed limiter, 3-speed version
Limited-slip differentials, front/rear

Cab

Installation kit for radio
Hand throttle
Sliding ventilation window
Speedometer
Air suspended operator's seat
Retractable seat belt
Air conditioner 8 kW,
Dual service brake pedals
Armrest (left)
Contronic display
Cab filter for asbestos contaminated environment
Instructor seat
Noise reduction kit, cab
Steering wheel, adjustable tilt, telescopic
Windshield washer, front & rear

Hydraulic System

Hydraulic control, 3rd function
Hydraulic control, 4th function
Hydraulic single acting lifting function
Boom Suspension System
Biodegradable hydraulic fluid
Hydraulic function 3rd, hydraulic hoses
Servo hoses for separate attachment locking
Attachment bracket with separate locking system

External Equipment

Fenders, extended
Counterweight 1
Counterweight 2
Fenders, axle mounted
Drawbar with pin

Other Equipment

Comfort Drive Control (CDC)
Slow moving vehicle emblem
Secondary steering
50 km/h sign
Fuel fill strainer
Electro-hydraulic operated park brake

Tires

20.5-25
20.5 R25*

Protective Equipment

Protective grids for front running light
Protection guard radiator grille
Protective grids for rear working lights
Window guards for side and rear window
Windshield guard
Fan protection
Protective grids for rear lights
Bellyguard rear

Attachments

Buckets
Fork equipment
Material handling arm
Timber grapples
Diagonal snow blade
Broom
Cutting edge, 3 pc reversible, bolt-on
Bucket teeth, bolt-on
Bucket spillguard
Bale clamp
Drum rotator

Under our policy of continuous product improvement, we reserve the right to change specifications and design without prior notice. The illustrations do not necessarily show the standard version of the machine.

VOLVO

Volvo Construction Equipment Group