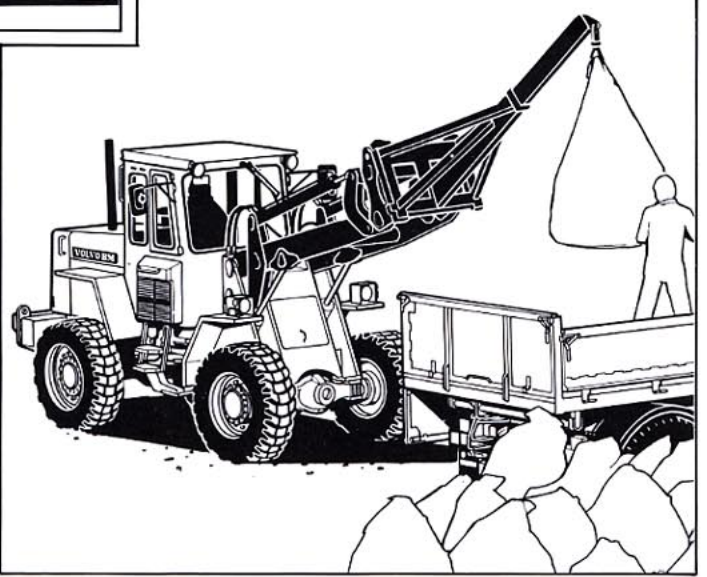
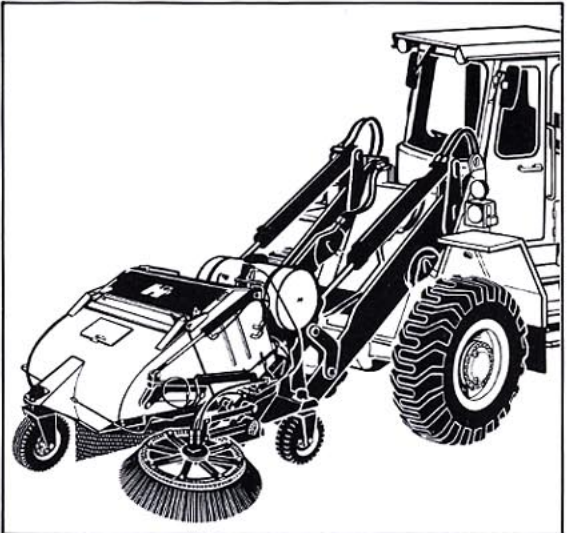
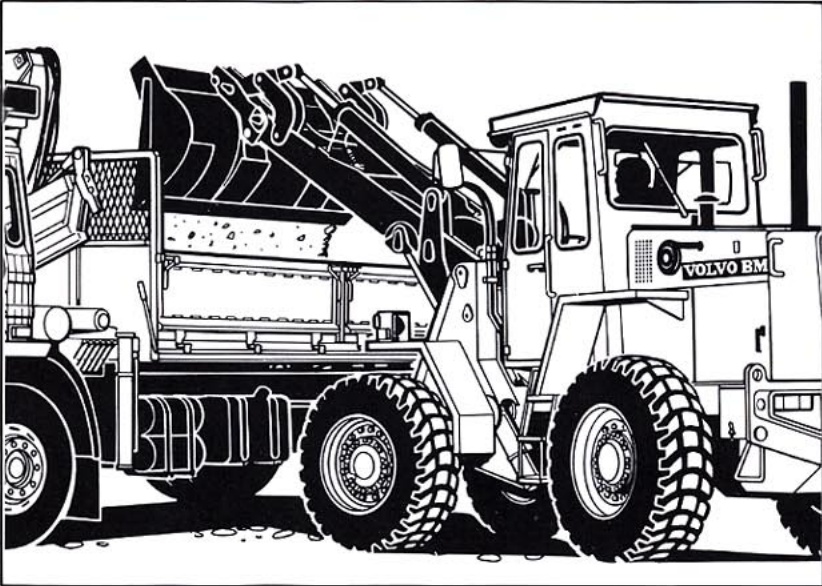


VOLVO BM

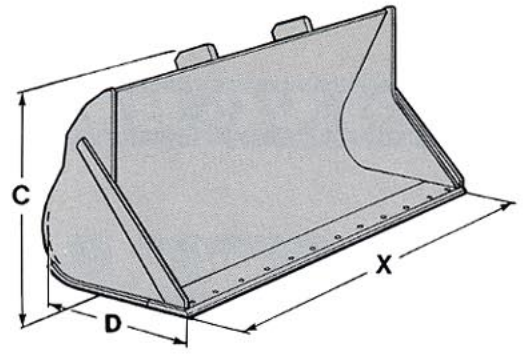
ATTACHMENTS

FOR LOADER L30



STRAIGHT-LIP BUCKET WITHOUT TEETH
(sand, gravel, soil, clay)

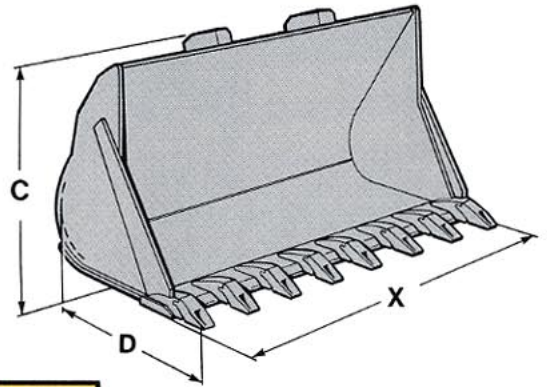
The bucket is designed for stockpiling and for loading material that is relatively easy to break out from the bank.
Available with edge savers.



		1,8 t/m ³ (3000 lb/yd ³)	1,5 t/m ³ (2500 lb/yd ³)
Type of mounting		R	R
Order No		91033	91035
Volume Heaped	m ³	0,8	1,0
	yd ³	1,0	1,3
Weight	kg	345	395
X Cutting edge	mm	2130	2130
C	mm	960	980
D	mm	710	815

STRAIGHT-LIP BUCKET WITH TEETH
(sand, gravel, soil, clay)

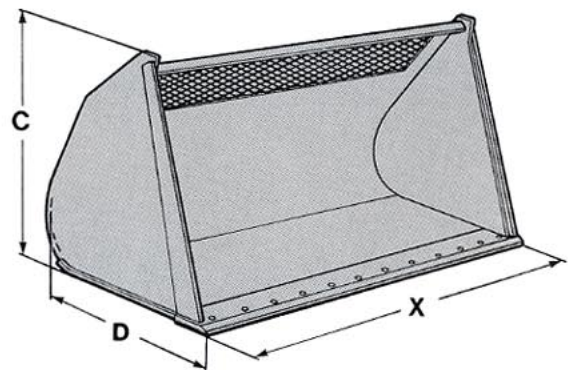
The bucket is designed for loading materials that require high penetration and breakout forces.
All dimensions are inclusive of teeth.



		1,8 t/m ³ (3000 lb/yd ³)	1,6 t/m ³ (2700 lb/yd ³)
Type of mounting		R	R
Order No		91034	91036
Volume Heaped	m ³	0,8	1,0
	yd ³	1,0	1,3
Weight	kg	370	420
Number of teeth		7	7
X Cutting edge	mm	2130	2130
C	mm	960	980
D	mm	880	985

LIGHT MATERIALS BUCKET
(wood chips, coal, coke, snow etc)

The bucket is designed for handling materials of low density.
Available with edge savers.

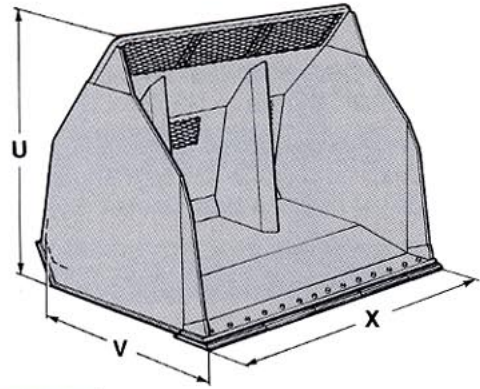


		0,8-1,0 t/m ³ (1350-1700 lb/yd ³)
Type of mounting		R
Order No		91070
Volume Heaped	m ³	1,8
	yd ³	2,35
Weight	kg	510
X Cutting edge	mm	2240
C	mm	1140
D	mm	1095

R = Bracket-mounted (hook-on)
D = Direct-mounted (pin-on)
* = Spill guard cannot be fitted

HIGH-DUMP LIGHT MATERIALS BUCKET (wood chips, coal, coke, etc)

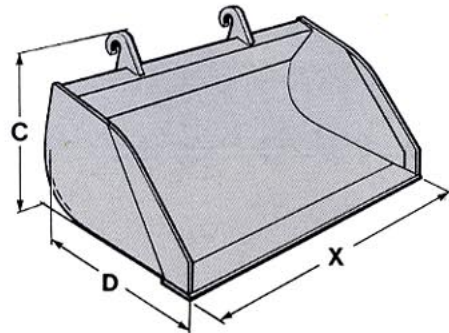
The bucket is designed for handling materials of low density. Since it can be dumped over a special frame, its unloading height can be considerably increased. *The attachment requires a 3rd hydraulic control.* The bucket is equipped with edge savers.



		0,8-1,0 t/m ³ (1350-1700 lb/yd ³)	0,5 t/m ³ (850 lb/yd ³)
Type of mounting		R	R
Order No		91072	98612
Volume Heaped	m ³	1,3	1,6
	yd ³	1,7	2,1
Weight	kg	790	760
X Cutting edge	mm	2240	2430
U	mm	1115	1100
V	mm	1050	1090

GRADING BUCKET

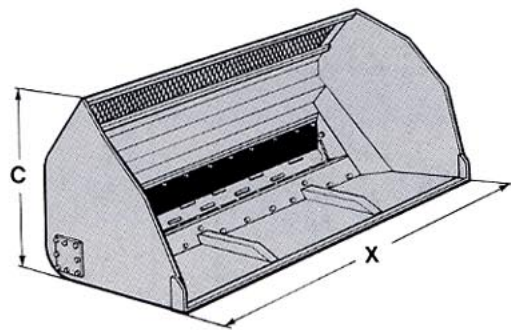
This bucket is intended for earthmoving work such as topsoil stripping, small-scale dozing, landscaping and leveling of infill. The bucket is provided with an edge at the rear that can be used for grading when the machine is reversed.



		1,3-1,5 t/m ³ (2200-2500 lb/yd ³)
Type of mounting		R
Order No		91071
Volume Heaped	m ³	1,1
	yd ³	1,44
Weight	kg	425
X Cutting edge	mm	2130
C	mm	890
D	mm	1235

SAND SPREADING BUCKET, EPOKE

Intended for spreading sand, gravel, wood chips, salt, urea etc. Adjustment of the spreading rate is effected by means of a hydraulic control valve. The bucket can also be used for snow loading. The attachment is hydraulically powered and *requires a 3rd hydraulic control.*



		R
Type of mounting		R
EPOKE Order No		3401-4
Volume Heaped	m ³	2,0
	yd ³	2,6
Weight	kg	680
Spreading width min.	mm	1900
X Cutting edge	mm	2445
C	mm	1215
D	mm	-

R = Bracket-mounted (hook-on)
D = Direct-mounted (pin-on)
* = Spill guard cannot be fitted

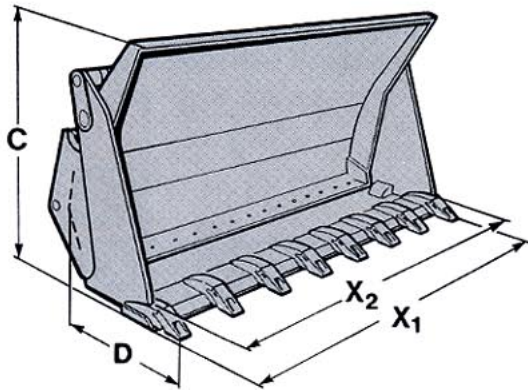
MULTIPURPOSE BUCKET WITH TEETH

ULRICH "SIMPLEX" from REYNOLDS BOUGHTON Ltd.

This bucket is intended for different types of earthmoving work and can be used as an ordinary bucket, a grader blade, a dozer blade, a grab bucket etc.

The attachment requires a 3rd hydraulic control.

All dimensions are inclusive of teeth.



Direct-mounted (pin-on) versions of the buckets and buckets without teeth are available on request.
On-request versions delivery time 4-6 weeks.

		1,8 t/m ³ (3000 lb/yd ³)
Type of mounting		R
Boughton order no.		SP3-9 MK 5H
Volume	m ³	0,7
	yd ³	0,91
Weight	kg	535
No of teeth		7
X ₁ Cutting edge, clam	mm	2130
X ₂ Cutting edge, blade	mm	2045
C	mm	970
D	mm	620

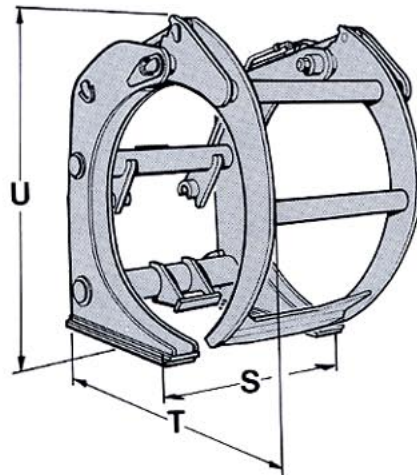
SORTING GRAPPLE

For feeding sorting plants from a stack. It has relatively long tines to reach into bunkers. The clamping arm is designed to provide a large grip opening.

The attachment requires a 3rd hydraulic control.

Only stocked for mounting in attachment bracket.

Can be equipped with hydraulic heel/kick-out.



Order No		98378
Log length	m	4,5
Area	m ²	0,57
	ft ²	6,13
Recommended load	kg	1500
Weight	kg	550
S	mm	1600
T	mm	1040
U	mm	1170

R = Bracket-mounted (hook-on)

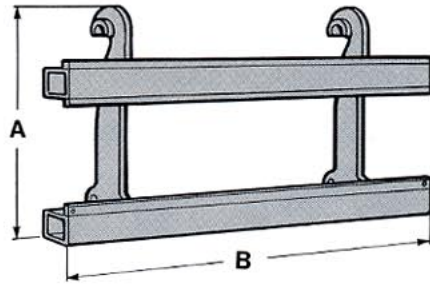
D = Direct-mounted (pin-on)

* = Spill guard cannot be fitted

FORK FRAME

For materials handling. Can be combined with different fork tines.

Available in three different widths.

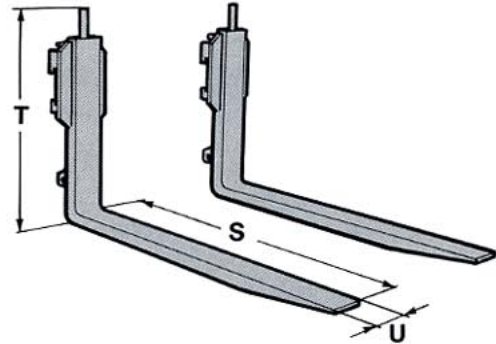


Order no.		97791	97792	97793
Weight	kg	130	145	180
A	mm	1200	1500	2000
B	mm	815	815	815

FORK TINES

Available in three different lengths. For use in combination with the above- mentioned fork frame. The fork tines are marked in accordance with existing Swedish and international standards. Specified maximum load applies at a load center distance of 600 mm.

NOTE! The order number is for one fork tine only.

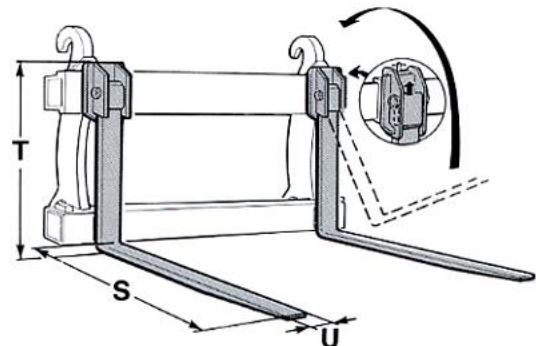


Order No.		97788	97789	97790
Max. load per arm	kg	2000	2000	2000
Weight	kg	110	125	130
S	mm	1050	1225	1450
T	mm	920	920	920
U	mm	125	125	125

HINGED FORK TINES

Used where irregularities in the ground make the load difficult to pick up with conventional fork tines. The upward movement of the tines is 75 mm (3 in). The fork tines are marked in accordance with Swedish and international standards. Specified max. load applies at a load center distance of 600 mm.

NOTE! The order number is for one fork tine only.

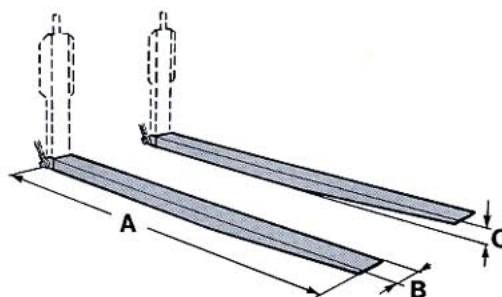


Order No.		98098
Max. load per arm	kg	2000
Weight	kg	125
S	mm	1225
T	mm	810
U	mm	125

FORK TINE EXTENSION

Intended for handling of light materials.

NOTE! The order number is for one fork tine extension only.

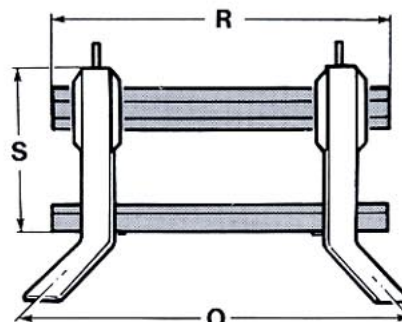


Order No.		99107
For fork size	mm	125x50
Permissible load per tine		
1250 mm (49,2 in) from frame	kg	1000
Weight	kg	70
A	mm	2500
B	mm	170
C	mm	70

PALLET FORK WITH FORK POSITIONER

This type of fork frame is ideal for cases where the width of the load varies. The fork tines can be hydraulically adjusted to the width of the load. Assembly components are included. *The attachment requires a 3rd hydraulic control.*

NOTE! Fork tines not included in order number.

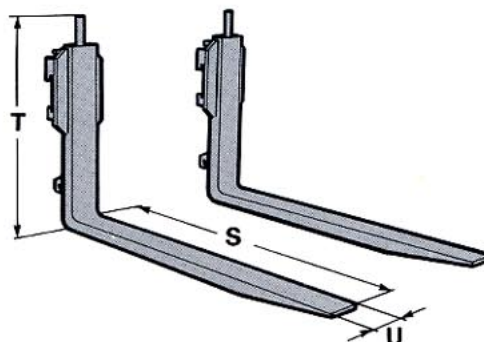


Order No.		90898
O Range of movement	mm	300-1350
Weight	kg	265
R	mm	1500
S	mm	825

FORK TINES

There are three types of tines for use with the fork frame. Note that excessively long fork tines can damage goods located behind the load when picking up and setting down. The fork tines are marked in accordance with existing Swedish and international standards. Specified max. load applies at a load center distance of 600 mm.

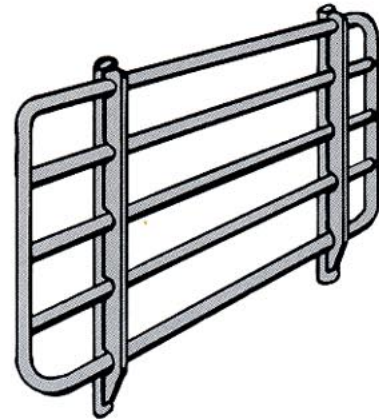
NOTE! The order number is for one fork tine only.



Order No.		99228	99229	99230
Max. load per arm	kg	2000	2000	2000
Weight	kg	110	120	130
S	mm	1050	1225	1450
T	mm	920	920	920
U	mm	125	125	125

PROTECTION BARS

This type of attachment can be mounted on both old and new fork tines. It is used for handling goods that need support to keep them from falling backwards over the frame.

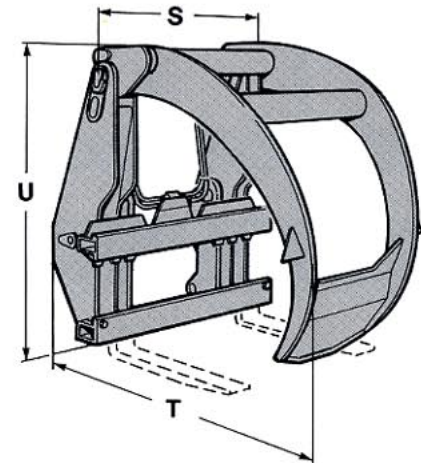


Order No.		98568
Width	mm	1200
Depth	mm	50
Height	mm	600
Weight	kg	25

COMBI-FORK WITH ONE-PIECE CLAMP

A fork that is recommended for handling palletized goods and roundwood. The maximum height of palletized goods is 1200 mm (47 in). Hinged fork tines can be used to advantage for handling on uneven surfaces. Fork tines not included.

The attachment requires a 3rd hydraulic control.



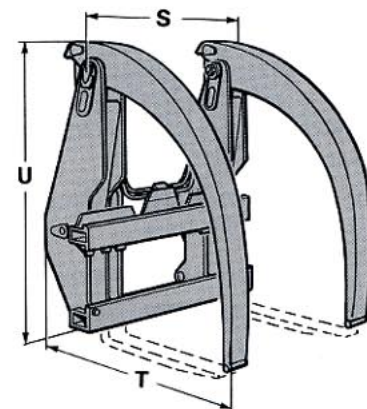
1) Load center distance 500 mm (19,7 in)

Order No.		97965
Area	m ²	0,8-
	ft ²	8,61-
		11,30
Recommended load	kg	2000 1)
Weight	kg	710
S	mm	1830
T	mm	1680
U	mm	1410

COMBI-FORK WITH TWIN-ARM CLAMP

This fork is suitable for materials handling at pulp mills, building sites etc. The clamping arms are automatically adjusted to provide a secure grip. Fork tines not included.

The attachment requires a 3rd hydraulic control.

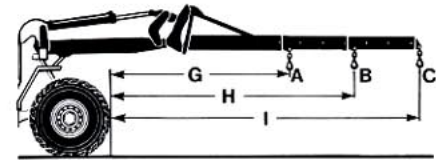
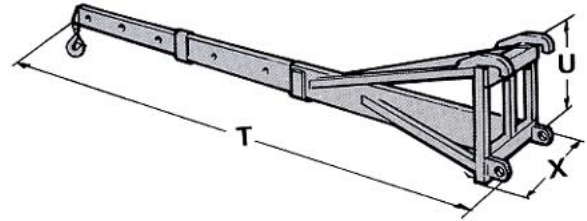


1) Load center distance 500 mm (19,7 in)

Order No.		97967
Area	m ²	0,8-
	ft ²	8,61-
		11,30
Recommended load	kg	2000 1)
Weight	kg	710
S	mm	1830
T	mm	1640
U	mm	1400

MATERIAL HANDLING ARM

The material handling arm is used on construction sites, for pipelaying etc. It has two telescopic sections with built-in mechanical stop to prevent overextension.

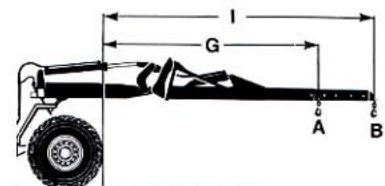
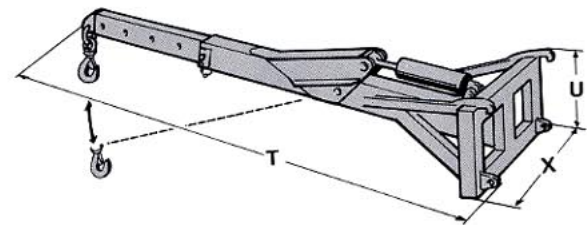


Order No.		97824
Weight	kg	360
Permissible load:	A	kg
	B	kg
	C	kg
G	mm	3160
H	mm	4230
I	mm	5360
T	mm	2030
U	mm	840
X	mm	1180

HYDRAULIC FOLDING MATERIAL HANDLING ARM

The material handling arm has a telescopic section and can be folded down hydraulically. It is used where loads have to be lowered below ground level or where obstacles have to be bypassed. The arm is equipped with a line rupture valve and the folding section can be lowered at a restricted rate.

The attachment requires a 3rd hydraulic control.



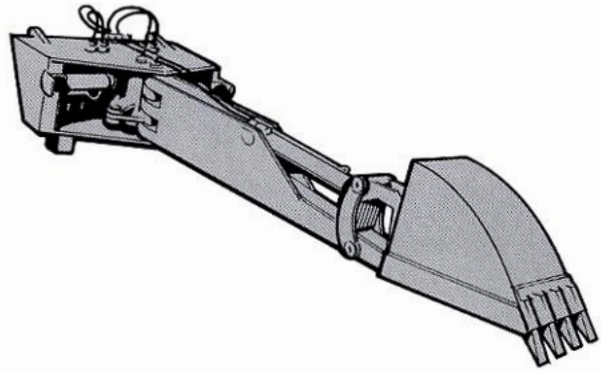
Order No.		97819
Weight	kg	410
Permissible load:	A	kg
	B	kg
G	mm	4345
I	mm	5340
T	mm	3210
U	mm	830
X	mm	1180

SERVICE DIGGER

When coupled to the loader, the service digger comprises an agile and nimble unit, particularly suited for emergency service and repair jobs.

It is coupled to the loader's attachment bracket, and four hydraulic oil hoses are connected via quick-connect couplings. A lifting height of about 3 m and a side slew of 85° permit loading directly onto trucks with high sides. Raising and lowering of the bucket arm is effected by the loader's lifting and tilting cylinders. The digger unit's cylinders for bucket movement and side slew are double-acting.

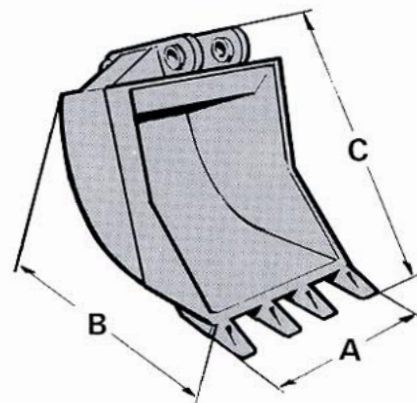
3rd and 4th hydraulic controls as well as lever kit 90860 are required.



Order No.		97977
Weight	kg	850
Max. digging depth	mm	3750
Max. reach from		
center of drive wheel	mm	5355
Unloading height	mm	3390
Max. lateral deflection		
with tipped bucket	mm	3100
Slewing angle	°	170
Breakout force at bucket lip	kp	3100

EXCAVATING BUCKETS

Three different buckets are available for the service digger. They can be changed easily.



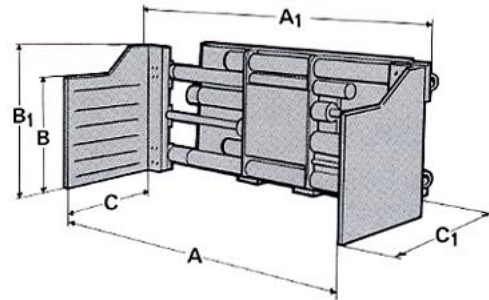
		Excavating bucket	Post hole bucket	Cable bucket
Order No.		97821	97822	97823
Weight	kg	135	90	100
Volume	l	167	50	96
Number of teeth		4	4	4
A	mm	560	475	360
B	mm	1070	690	1070
C	mm	580	400	580

HYDRAULIC BALE CLAMP

The attachment is intended for handling baled material such as pulp bales, light scrap metal bundles etc.

The attachment requires a 3rd hydraulic control.

Order No.		98067
Clamping force	kg	4500
Weight	kg	700
A min.	mm	850-
max.	mm	2400
A ₁ min.	mm	1600-
max.	mm	2560
B	mm	370
B ₁	mm	850
C	mm	900
C ₁	mm	1250



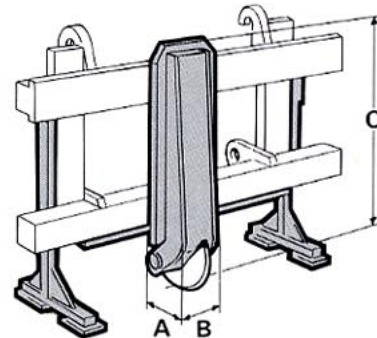
ASPHALT CUTTER

Facilitates removal of asphalt for repair work on road surfaces, pavements etc. The attachment makes one cut so that the asphalt edge is not damaged during the excavation work.

Mounted on fork frame.

Cutting depth 50-70 mm (3 in).

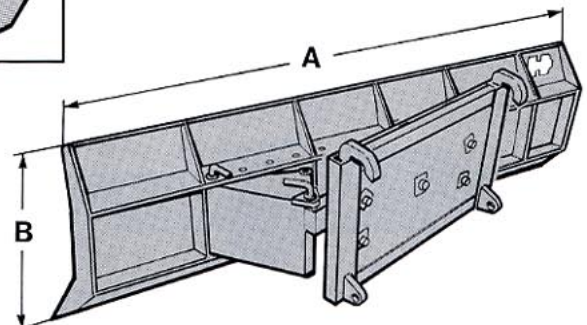
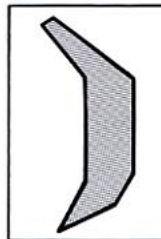
Order No.		97815
Weight	kg	96
A	mm	390
B	mm	280
C	mm	1050



DOZER BLADE, HOLMS

The dozer blade is intended for dozing and leveling work and can be angled 20° to the right or left mechanically. The wear bar is reversible. Mounted in attachment bracket.

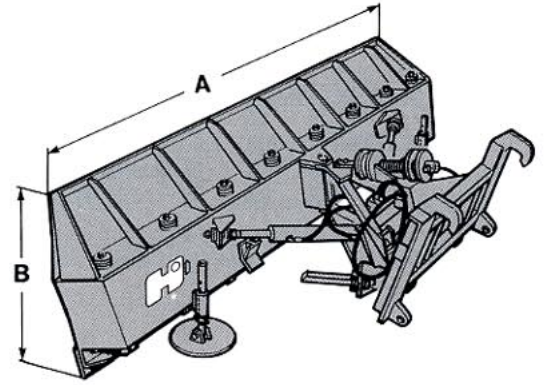
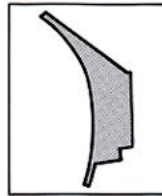
Order No.		F32550
Weight	kg	480
A	mm	2500
B	mm	800



SNOW BLADE Type KHP, HOLMS
(municipal blade)

Recommended for snow clearance of roads etc. The blade has a reversible cutting edge divided into sections that fold back when they run into small obstacles such as manhole covers. Hydraulically adjustable 35° and equipped with horizontal oscillation with **variable ground pressure** for road-hugging performance. Can be equipped with rubber blades and snow screen.

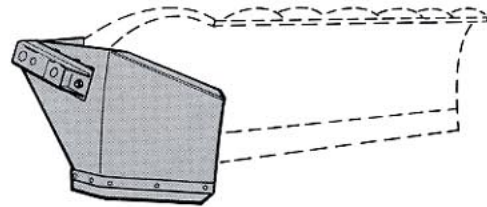
The attachment requires a 3rd hydraulic control.



Holms Order No.		F31730	F31975
Weight	kg	640	740
A	mm	2800	3200
B	mm	800	800

SNOW WING, HOLMS

The snow wing prevents the creation of a ridge of snow when the plow passes driveways, intersections, pedestrian crossings etc. The snow wing is operated hydraulically and fits most Holms snow blades.



Holms Order No.		155079
Weight	kg	60

SWEEPER, HOLMS, SBHL

For street cleaning where the sweepings do not have to be collected. Can be equipped with water tank and spray nozzle for laying the dust.

The sweeper is connected to the attachment bracket and the brush cylinder's two hydraulic motors are connected via quick-connect couplings to the 3rd hydraulic control. The brush pressure against the surface is regulated automatically. The brush cylinder has an easily replaceable brush made of polypropylene or rippled wire. The pivoting parking support provides stable parking of the sweeper.

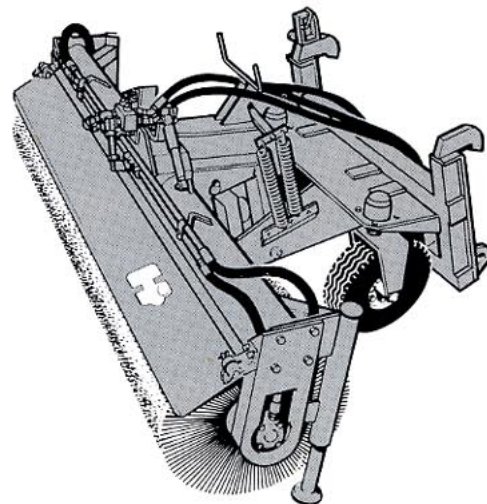
The attachment requires a 3rd hydraulic control.

The sweeper can be equipped with hydraulic pivoting 30° to the right/left, without disturbing the performance of the brush.

A 4th hydraulic control is required.

A hydraulic oil cooler and a single-acting lifting function are required.

A revolution counter is recommended.



Holms Order No.		F22200	F22300
Weight	kg	450	550
Working width	mm	2200	2500
Brush cyl. diameter	mm	600	600
Brush cyl. rot. speed	r/min	150	150
Necessary hydr. pressure	kp/cm ²	75	75
Necessary hydr. flow	l/min	100-120	100-120

* Dual-circuit hydraulics required.

OTHER ATTACHMENTS

To further broaden the range of application of our machines, we have modified different attachments of other makes in cooperation with the manufacturer to make them compatible with our machines. The following attachments have been authorized by

Volvo BM. This makes it easier for our customers to select the best attachment for use with our machines for any particular purpose. Detailed specifications and other information can be obtained from the manufacturer or the local distributor.



Epoke - Sweepers.

Manufacturer:
K/S Epoke Askov
DK 6600 Vejen
Denmark
Tel: Int. + 45-5 360 700
Telex: 50517



Reynolds Boughton Ltd -

Multipurpose buckets and side dump buckets.

Manufacturer:
Reynolds Boughton Ltd
Bell Lane, Amersham
Bucks. HP6 6PE
England
Tel: Int. + 44-2404-4411
Telex: 83132



Holms Industri AB -

Sweepers and snow clearance attachments.

Manufacturer:
Holms Industri AB
S-591 29 Motala
Sweden
Tel: Int. + 46-141-24100
Telex: 5510



Vreten - Grader attachments.

Manufacturer:
Vreten AB
S-541 94 Skövde
Sweden
Tel: Int. + 45-500-570 00

Volvo BM Company
S-63185 ESKILSTUNA SWEDEN



VOLVO BM
MICHIGAN
EUCLID

Under our policy of continuous product improvement, we reserve the right to change specifications and design without prior notice. The illustrations do not necessarily show the standard version of the machine.