

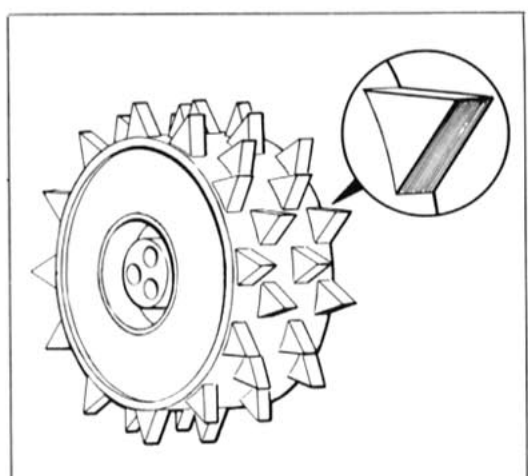
VOLVO BM

846 REFUSE COMPACTOR



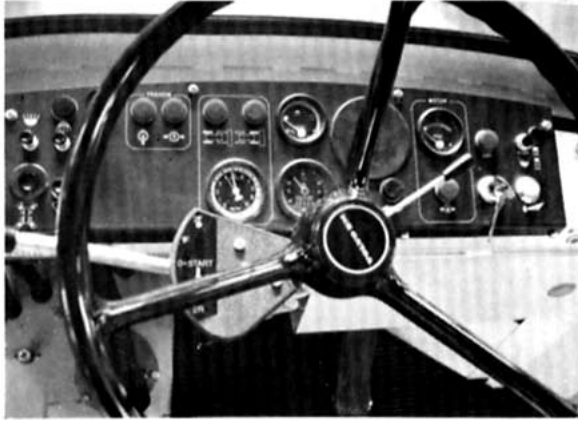
The VOLVO BM 846 is designed for leveling and compacting waste and refuse on tips serving urban areas. Highly versatile, it separates, moves, and compacts waste. It also carries and spreads cover material, and can carry out a certain amount of excavation work. The machine is provided with large, fully-welded compactor wheels, plus rugged side and underbody protective plates. These are particularly important in view of the fact that this machine operates predominantly under unusually difficult conditions.

The long wheelbase and uniform weight distribution ensure excellent stability. The articulation joint, located midway between the axles, enables the rear wheels to run in the front wheel tracks continuously. The 846 features powerful lift and long outreach. The driver's seat is comfortable, and the noise level inside the cab is low. Designed for easy maintenance.



Strong, fully-welded wheels

Each wheel is fully-welded drum. The following surface of the drum carries the compacting devices, known as pads.

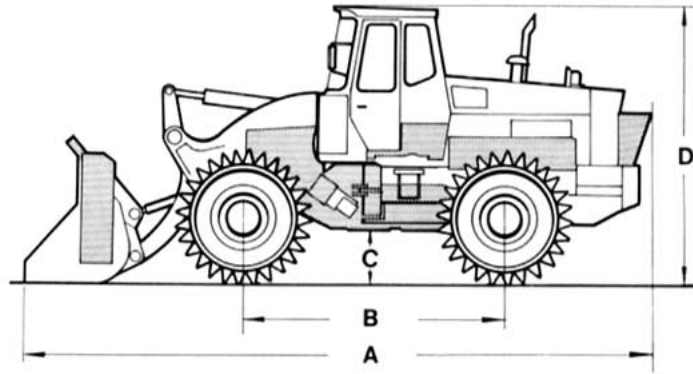
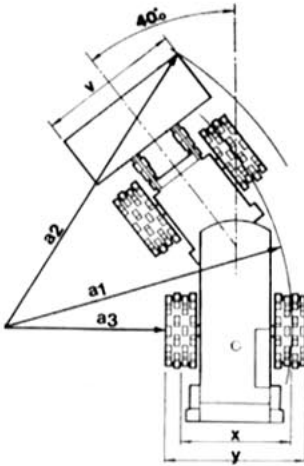


All controls in the 846 are within easy reach. Steering and braking are servoassisted, while the instrument panel is clearly and comprehensively laid out, giving a full picture of all vital function. The spacious, walkthrough cab is draughtproof, with an efficient heater/ventilator and demisting system.

The seat can be moved forward and back, and the backrest angle can be adjusted. The seat spring action is adjustable, with an indicator to show when it is set correctly for the driver's weight.

BASIC DATA VOLVO BM 846 REFUSE COMPACTOR

Complete specifications appear in the relevant sections of the brochure describing the VOLVO BM 846 wheel loader



Engine

Fuel-saving 6 cylinder VOLVO D 50 B diesel engine, 84,5 kW (115 hk SAE) 2400 r/min

Transmission

Torque converter, power-shift gearbox and planetary hub reduction units in wheels

Standard bucket 1.6 m³ (2.1 cu yd³)
 Total weight 10,500 kg (23100 lb)
 Total weight with pads 11,500 kg (25300 lb)

Dimensions

A Total width 6,750 mm (266 in)
 C Wheel base 2,700 mm (106 in)
 D Ground clearance .. 480 mm (15 in)
 F Height 3,000 mm (118 in)

Y Width across wheels 2,400 mm (94 in)

V Width across bucket without wings 2,500 mm (98 in)

Width across bucket with wings 3,500 mm (137 in)

X Track 1,960 mm (77 in)

a₁ Turning radius 4,950 mm (194 in)

a₂ Outer radius without wings 5,480 mm (215 in)

a₃ Inner radius 2,500 mm (98 in)

Compactor wheels

Drum width 500 mm (19.6 in)

Drum diameter 1,200 mm (47 in)

Height of pads 135 mm (5.3 in)

Steering angle 40°

The manufacturer reserve the right to change specifications without prior notice.

VOLVO BM

VOLVO BM AB ESKILSTUNA SWEDEN

Ref.no. 2326 AE

8. 8. 74 KURIR-tryck Katrineholm 49932