

VOLVO BM 641



All-round

Standard attachments bracket for snap-on coupling of various attachments — wide range of attachments.

Nimble

Small turning radius and power-shift transmission.

“Go-anywhere” mobility

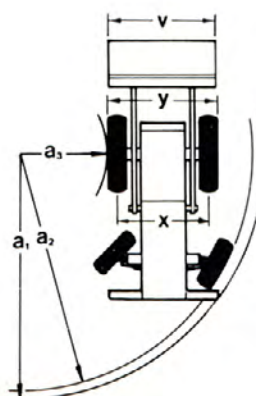
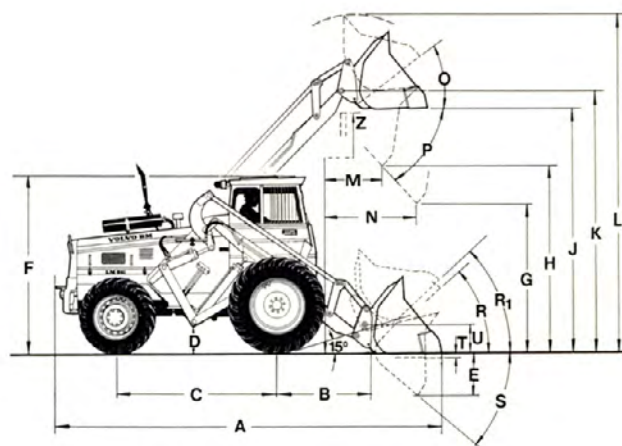
Oversized wheels 4-wheel drive and differential lock.

Economy

Reliable — simple construction with quality components, low fuel consumption.

Capacity

Gets the job done quickly thanks to a powerful engine and a loading unit with high lift and long outreach.



DIMENSIONS

A	5500 mm (217")	R ₁	44° in carrying position
B	1450 mm (57")	S	42°
C	2380 mm (93")	T	100 mm (4")
D	350 mm (14")	U	450 mm (18")
E	710 mm (28")	V	2200 mm (87")
F	2640 mm (104")	X front	1820 mm (71")
G	2000 mm (79")	X rear	1860 mm (72")
H	2900 mm (114")	Y	2250 mm (88")
J	3600 mm (142")	Z	3530 mm (139")
K	3850 mm (151")	a ₁	5700 mm (224")
L	4700 mm (185")	a ₂	5650 mm (222")
M	750 mm (33")	a ₃	2800 mm (110")
N	1400 mm (55")		
O	41°		
P	45°		
R	42°		

SPECIFICATION VOLVO BM LOADER 641

Engine

6-cyl VOLVO BM D 42 diesel engine with direct injection
Displacement 4,2 dm³ (256 in³)
Max. rating at 38,4 r/s (2300 RPM)
SAE/DIN 59/55 kW (80/75 hp)
Max. torque at 23,4 r/s (1400 RPM)
SAE/DIN 270/250 Nm (198/185 lb. ft.)

Electrical system

Voltage 24 V
Alternator 700 W
Starter motor 3 kW (4 HP)

Transmission

Torque convertor and power-shift gear-box.
Two speed ranges with a total of 4 forward speeds and 4 reverse. Differential lock.

Speeds

Forward and reverse m/s (mph)
I 0—2,14 m/s (0— 4,8 mph)
II 0—3,33 m/s (0— 7,5 mph)
III 0—5,28 m/s (0—11,8 mph)
IV 0—8,34 m/s (0—19 mph)

Brakes

Driving brakes: Hydraulic disc brakes
Braking area 1850 cm² (287 in²)
Steering brake
Parking brake

Steering system

Hydrostatic with double cylinders on the steering axle

Loading unit

Max. lifting height under
dumped bucket 2,9 m
(9 ft 6 in)
Outreach at 2 m (6 ft 7 in)
45° dumped bucket 1,4 m
(4 ft 7 in)
Transport load
carrying position 2400 kg
(5290 lb)
Standard bucket SAE 1,0 m³
(1,38 cu.yd.)
Break-out force SAE 41200 N
(9260 lbf)

Hydraulic system

Hydraulic pump
capacity 2,4 dm³/s
(32 imp.gal./m)
Working pressure .. 115 kp/cm²
(1635 lb/p.s.i.)

General data

Total weight with bucket 7900 kg (17400 lb)
Wheelbase 2,38 m (7 ft 8 in)
Track front/rear 1,82/1,85 m (6 ft/6 ft 1 in)
Machine width 2,25 m (7 ft 4 in)
Turning radius with 5,65 m (18 ft 7 in)
steering brake 3,3 m (10 ft 10 in)
Tyres front 16.9—30/14
rear 12.4—24/12

Standard equipment

Rear-view mirror, interior (2)
Lighting
main headlamps, bright/dim
working lights, rear (2)
parking lights
back-up lights and brake lights
position lights
cab light
Fuel gauge
Dust ejector (for automatic emptying of air filter's pre-cleaner)
Differential lock, jaw clutch
Tyre equipment (sep. specification)
Storage basket
Main switch
Cab
Cab heating with fresh-air intake vent
Instrument panel with symbol markings
Indicator lamp for rear working lights
Charging indicator lamp
Bright light indicator
Direction indicators
Air filter indicator
Control lever and tubes for 3rd hydraulic function
Attachment bracket, mechanical
Spring-cushion seat
Horn
Protective screen for lower side window
Sun visor
Lifting lever lock connected to cab door
Steering brake
Seat belt mountings
Safety start
Hour counter
Engine water thermometer
Hazard flashers
Indicator lamp for above
Warning lamp for parking lights
Warning lamp for transmission oil temperature
Warning lamp for transmission oil pressure
Warning lamp for motor oil pressure
Tool kit
Windshield wiper, front windshield
Alternator

Optional equipment

Front working lights
Extra fuel filter
Belly guards
Towing hitch
Floating crane
Tinted cab windows
Grille door
Spark arrester
Hydraulic outlet for trailer tipping
Cab ventilator
Lifting eyes
Control lever, tubes and valve for 4th hydraulic function
Control lever (common for 3rd hydraulic function), tubes and valve for 4th hydraulic function
Engine heater, electrical
Engine heater, LP gas
Attachment bracket, hydraulic
Tyre pumping equipment
Outlet for trailer brakes
Electrical outlet, trailer
Safety belt
Air compressor
Pressure gague for air brakes
Rotating beacon, incl. folding bracket
Rotating beacon

Specifications are subject to alteration without prior notice.

VOLVO BM

VOLVO BM AB ESKILSTUNA SWEDEN

Ref. no. 2319 GB

5. B. 74 KURIR-tryck Katrineholm 49922