

VOLVO BM 641



All-round

Standard attachments bracket for snap-on coupling of various attachments — wide range of attachments.

Nimble

Small turning radius and power-shift transmission.

“Go-anywhere” mobility

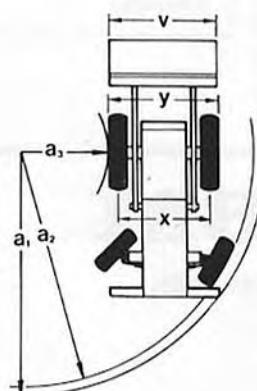
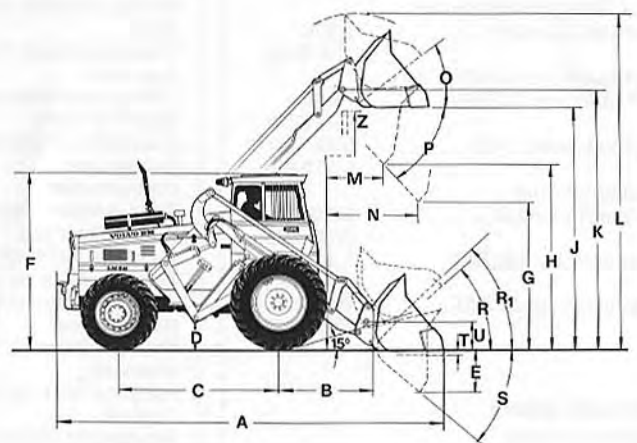
Oversized wheels 4-wheel drive and differential lock.

Economy

Reliable — simple construction with quality components, low fuel consumption.

Capacity

Gets the job done quickly thanks to a powerful engine and a loading unit with high lift and long outreach.



DIMENSIONS

| | | | |
|---|----------------|----------------|--------------------------|
| A | 5500 mm (217") | R ₁ | 44° in carrying position |
| B | 1450 mm (57") | S | 42° |
| C | 2380 mm (93") | T | 100 mm (4") |
| D | 350 mm (14") | U | 450 mm (18") |
| E | 710 mm (28") | V | 2200 mm (87") |
| F | 2640 mm (104") | X | 1820 mm (71") |
| G | 2000 mm (79") | Y | 1860 mm (72") |
| H | 2900 mm (114") | Z | 2250 mm (88") |
| J | 3600 mm (142") | a ₁ | 5700 mm (224") |
| K | 3850 mm (151") | a ₂ | 5650 mm (222") |
| L | 4700 mm (185") | a ₃ | 2800 mm (110") |
| M | 750 mm (33") | | |
| N | 1400 mm (55") | | |
| O | 41° | | |
| P | 45° | | |
| R | 42° | | |

SPECIFICATION VOLVO BM LOADER 641

Engine

6-cyl VOLVO BM D 42 diesel engine with direct injection
 Displacement 4,2 dm³ (256 in³)
 Max. rating at 38,4 r/s (2300 RPM)
 SAE/DIN 59/55 kW (80/75 hp)
 Max. torque at 23,4 r/s (1400 RPM)
 SAE/DIN 270/250 Nm (198/185 lb. ft.)

Electrical system

Voltage 24 V
 Alternator 700 W
 Starter motor 3 kW (4 HP)

Transmission

Torque convertor and power-shift gear-box.
 Two speed ranges with a total of 4 forward speeds and 4 reverse. Differential lock.

Speeds

Forward and reverse m/s (mph)
 I 0—2,14 m/s (0— 4,8 mph)
 II 0—3,33 m/s (0— 7,5 mph)
 III 0—5,28 m/s (0—11,8 mph)
 IV 0—8,34 m/s (0—19 mph)

Brakes

Driving brakes: Hydraulic disc brakes
 Braking area 1850 cm² (287 in²)
 Steering brake
 Parking brake

Steering system

Hydrostatic with double cylinders on the steering axle

Loading unit

Max. lifting height under dumped bucket 2,9 m (9 ft 6 in)
 Outreach at 2 m (6 ft 7 in) 45° dumped bucket 1,4 m (4 ft 7 in)
 Tipping load SAE 3300 kg (7275 lb)
 Transport load carrying position 2400 kg (5290 lb)
 Standard bucket SAE 1,0 m³ (1,38 cu.yd.)
 Break-out force SAE 41200 N (9260 lbf)

Hydraulic system

Hydraulic pump capacity 2,4 dm³/s (32 Imp.gal./m)
 Working pressure .. 115 kp/cm² (1635 lb/p.s.i.)

General data

Total weight with bucket 7900 kg (17400 lb)
 Wheelbase 2,38 m (7 ft 8 in)
 Track front/rear 1,82/1,85 m (6 ft/6 ft 1 in)
 Machine width 2,25 m (7 ft 4 in)
 Turning radius with steering brake 5,65 m (18 ft 7 in)
 Tyres front 16.9—30/14
 rear 12.4—24/12

Standard equipment

Rear-view mirror, interior (2)
 Lighting
 main headlamps, bright/dim working lights, rear (2)
 parking lights
 back-up lights and brake lights
 position lights
 cab light
 Fuel gauge
 Dust ejector (for automatic emptying of air filter's pre-cleaner)
 Differential lock, jaw clutch
 Tyre equipment (sep. specification)
 Storage basket
 Main switch
 Cab
 Cab heating with fresh-air intake vent
 Instrument panel with symbol markings
 Indicator lamp for rear working lights
 Charching indicator lamp
 Bright light indicator
 Direction indicators
 Air filter indicator
 Control lever and tubes for 3rd hydraulic function
 Attachment bracket, mechanical
 Spring-cushion seat
 Horn
 Protective screen for lower side window
 Sun visor
 Lifting lever lock connected to cab door
 Steering brake
 Seat belt mountings
 Safety start
 Hour counter
 Engine water thermometer
 Hazard flashers
 Indicator lamp for above
 Warning lamp for parking lights
 Warning lamp for transmission oil temperature
 Warning lamp for transmission oil pressure
 Warning lamp for motor oil pressure
 Tool kit
 Windshield wiper, front windsshield
 Alternator

Optional equipment

Front working lights
 Extra fuel filter
 Belly guards
 Towing hitch
 Floating crane
 Tinted cab windows
 Grille door
 Spark arrester
 Hydraulic outlet for trailer tipping
 Cab ventilator
 Lifting eyes
 Control lever, tubes and valve for 4th hydraulic function
 Control lever (common for 3rd hydraulic function), tubes and valve for 4th hydraulic function
 Engine heater, electrical
 Engine heater, LP gas
 Attachment bracket, hydraulic
 Tyre pumping equipment
 Outlet for trailer brakes
 Electrical outlet, trailer
 Safety belt
 Air compressor
 Pressure gaguge for air brakes
 Rotating beacon, incl. folding bracket
 Rotating beacon

Specifications are subject to alteration without prior notice.

VOLVO BM

VOLVO BM AB ESKILSTUNA SWEDEN

Ref. no. 2319 AE