

# VOLVO BM 641



## All-round

Standard attachments bracket for snap-on coupling of various attachments — wide range of attachments.

## Nimble

Small turning radius and power-shift transmission.

## “Go-anywhere” mobility

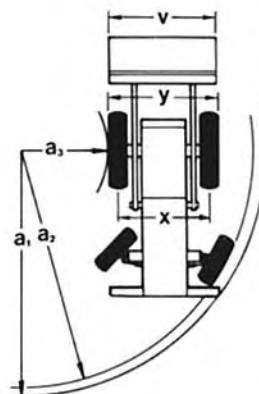
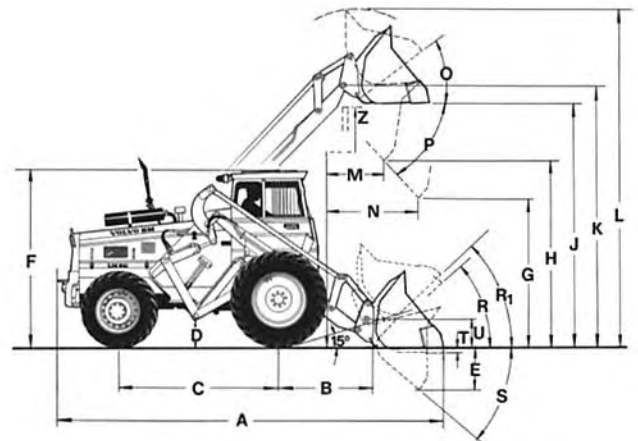
Oversized wheels 4-wheel drive and differential lock.

## Economy

Reliable — simple construction with quality components, low fuel consumption.

## Capacity

Gets the job done quickly thanks to a powerful engine and a loading unit with high lift and long outreach.



### DIMENSIONS

A	5500 mm (217")	R <sub>1</sub>	44° in carrying position
B	1450 mm (57")	S	42°
C	2380 mm (93")	T	100 mm (4")
D	350 mm (14")	U	450 mm (18")
E	710 mm (28")	V	2200 mm (87")
F	2640 mm (104")	X front	1820 mm (71")
G	2000 mm (79")	X rear	1860 mm (72")
H	2900 mm (114")	Y	2250 mm (88")
J	3600 mm (142")	Z	3530 mm (139")
K	3850 mm (151")	a <sub>1</sub>	5700 mm (224")
L	4700 mm (185")	a <sub>2</sub>	5650 mm (222")
M	750 mm (33")	a <sub>3</sub>	2800 mm (110")
N	1400 mm (55")		
O	41°		
P	45°		
R	42°		

# SPECIFICATION VOLVO BM LOADER 641

## Engine

4-cyl VOLVO BM D 42 diesel engine with direct injection  
Displacement 4,2 dm<sup>3</sup> (256 in<sup>3</sup>)  
Max. rating at 38,4 r/s (2300 RPM)  
SAE/DIN 59/52 kW (80/70,5 hp)  
Max. torque at 23,4 r/s (1400 RPM)  
SAE/DIN 270/250 Nm (198/185 lb. ft.)

## Electrical system

Voltage ..... 24 V  
Alternator ..... 700 W  
Starter motor ..... 3 kW (4 HP)

## Transmission

Torque convertor and power-shift gearbox.  
Two speed ranges with a total of 4 forward speeds and 4 reverse. Differential lock.

## Speeds

Forward and reverse m/s (mph)  
I 0—2,14 m/s (0— 4,8 mph)  
II 0—3,33 m/s (0— 7,5 mph)  
III 0—5,28 m/s (0—11,8 mph)  
IV 0—8,34 m/s (0—19 mph)

## Brakes

Driving brakes: Hydraulic disc brakes  
Braking area ..... 1850 cm<sup>2</sup> (287 in<sup>2</sup>)  
Steering brake  
Parking brake

## Steering system

Hydrostatic with double cylinders on the steering axle

## Loading unit

Max. lifting height under  
dumped bucket ..... 2,9 m  
(9 ft 6 in)  
Outreach at 2 m (6 ft 7 in)  
45° dumped bucket ..... 1,4 m  
(4 ft 7 in)  
Tipping load SAE ..... 3300 kg  
(7275 lb)  
Standard bucket SAE .... 1,0 m<sup>3</sup>  
(1,38 cu.yd.)  
Break-out force SAE ..... 41200 N  
(9260 lbf)

## Hydraulic system

Hydraulic pump  
capacity ..... 2,4 dm<sup>3</sup>/s  
(32 Imp.gal./m)  
Working pressure .. 115 kp/cm<sup>2</sup>  
(1635 lb/p.s.i.)

## General data

Total weight with bucket ..... 7900 kg (17400 lb)  
Wheelbase ..... 2,38 m (7 ft 8 in)  
Track front/rear ..... 1,82/1,85 m (6 ft/6 ft 1 in)  
Machine width ..... 2,25 m (7 ft 4 in)  
Turning radius with ..... 5,65 m (18 ft 7 in)  
steering brake ..... 3,3 m (10 ft 10 in)  
Tyres front ..... 16.9—30/14  
rear ..... 12.4—24/12

## Standard equipment

Rear-view mirror, interior (2)  
Lighting  
main headlamps, bright/dim  
working lights, rear (2)  
parking lights  
back-up lights and brake lights  
position lights  
cab light  
Fuel gauge  
Dust ejector (for automatic emptying of air filter's pre-cleaner)  
Differential lock, jaw clutch  
Tyre equipment (sep. specification)  
Storage basket  
Main switch  
Cab  
Cab heating with fresh-air intake vent  
Instrument panel with symbol markings  
Indicator lamp for rear working lights  
Charching indicator lamp  
Bright light indicator  
Direction indicators  
Air filter indicator  
Control lever and tubes for 3rd hydraulic function  
Attachment bracket, mechanical  
Spring-crushion seat  
Horn  
Protective screen for lower side window  
Sun visor  
Lifting lever lock connected to cab door  
Steering brake  
Seat belt mountings  
Safety start  
Hour counter  
Engine water thermometer  
Hazard flashers  
Indicator lamp for above  
Warning lamp for parking lights  
Warning lamp for transmission oil temperature  
Warning lamp for transmission oil pressure  
Warning lamp for motor oil pressure  
Tool kit  
Windshield wiper, front windshield  
Alternator

## Optional equipment

Front working lights  
Extra fuel filter  
Belly guards  
Towing hitch  
Floating crane  
Tinted cab windows  
Grille door  
Spark arrester  
Hydraulic outlet for trailer tipping  
Cab ventilator  
Lifting eyes  
Control lever, tubes and valve for 4th hydraulic function  
Control lever (common for 3rd hydraulic function), tubes and valve for 4th hydraulic function  
Engine heater, electrical  
Engine heater, LP gas  
Attachment bracket, hydraulic  
Tyre pumping equipment  
Outlet for trailer brakes  
Electrical outlet, trailer  
Safety belt  
Air compressor  
Pressure gague for air brakes  
Rotating beacon, incl. folding bracket  
Rotating beacon

Specifications are subject to alteration without prior notice.

# VOLVO BM

VOLVO BM AB ESKILSTUNA SWEDEN

Ref.No. 21 1 669 1051  
ENGELSKA