

**VOLVO BM**

RANGE OF  
ATTACHMENTS



# HI-LIFT

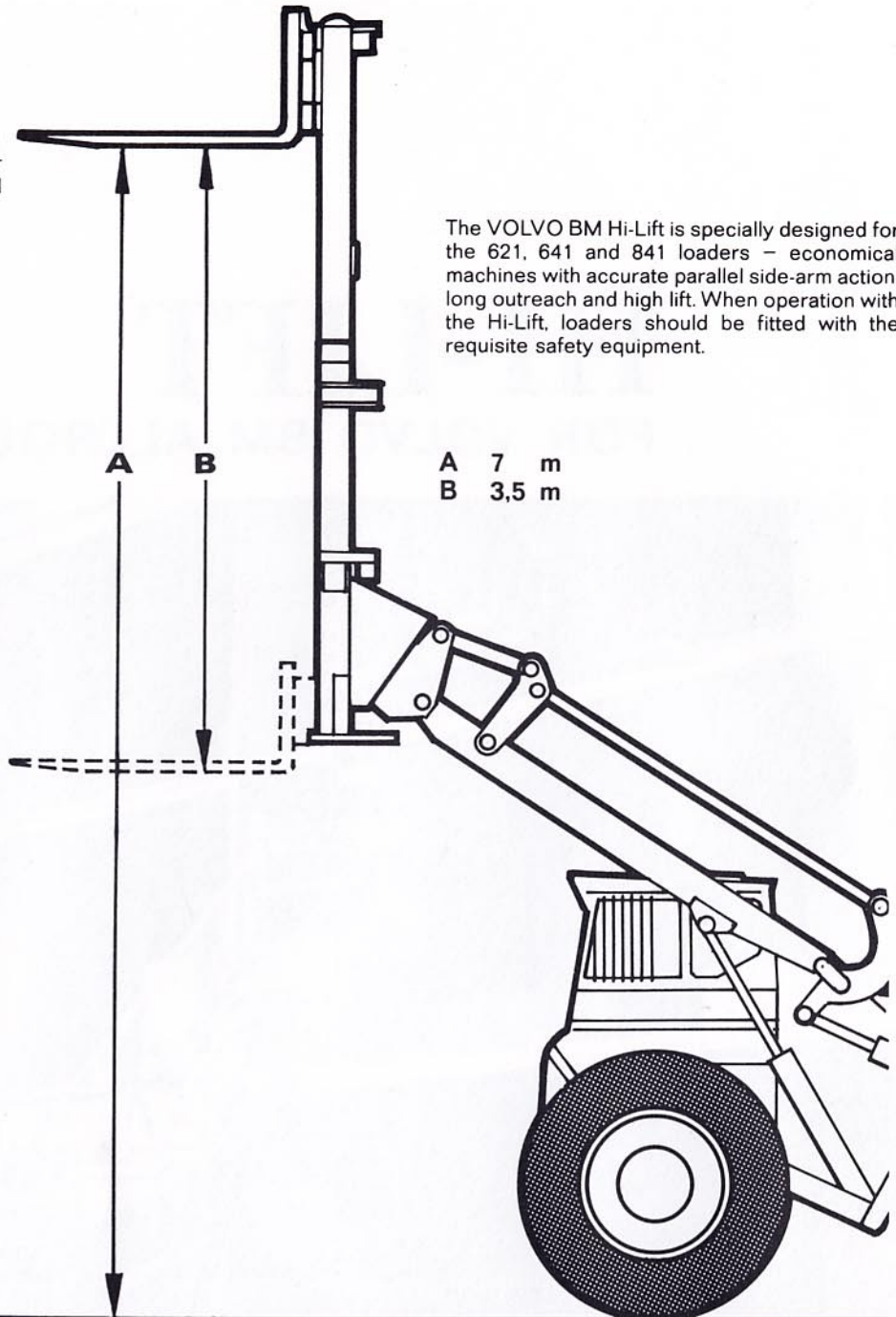
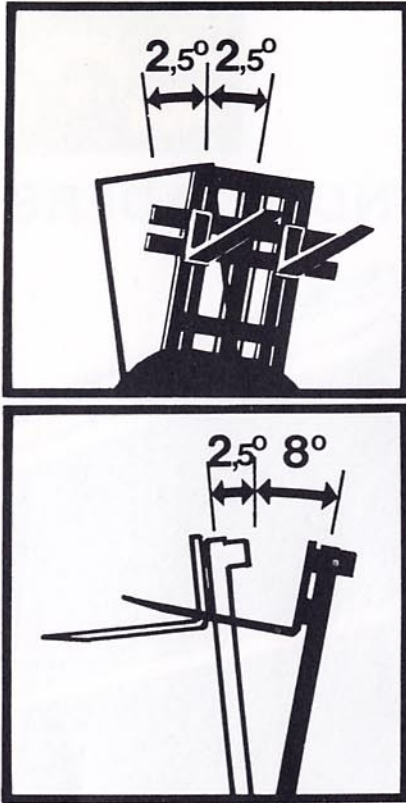
FOR VOLVO BM ALLROUND LOADERS



The **VOLVO BM Hi-Lift** – a new forklift attachment which gives greater flexibility and cuts the cost of materials handling. A **VOLVO BM "Allrounder"** loader, fitted with the Hi-Lift forms a mobile and highly flexible unit for off-the-road transport. It gives a precision lift up to a height of 23 ft (7 m). The Hi-Lift therefore supplements and, in many cases, replaces conventional equipment and methods in the handling of palletized

loads, insulating material, timber, roofing materials, interior fittings, etc. The Hi-Lift is specially designed for the **VOLVO BM "Allrounder"** loaders, and gives them an even wider range of operation on construction sites. Its frame is attached to the snap-on coupling of the machine, enabling the changeover to other attachments to be made in approximately one minute.

**Lateral and forward/rearward tilt**  
 The Hi-Lift is designed so that the loader can stand on uneven ground and yet hold its load level.



The VOLVO BM Hi-Lift is specially designed for the 621, 641 and 841 loaders – economical machines with accurate parallel side-arm action, long outreach and high lift. When operation with the Hi-Lift, loaders should be fitted with the requisite safety equipment.

A 7 m  
 B 3,5 m

**23 ft lift**

The loader can deliver materials efficiently up to three storeys' height.

**Long outreach**

The loader can easily reach out over obstacles and can load and unload materials from just one side of wide goods wagons or lorry platforms.

**Mounted on the attachment bracket**

The Hi-Lift is mounted on the attachment bracket of the loader, and rapid switches can therefore be made to other "All-rounder" attachments for other jobs.

Cat. No. for Hi-Lift, 621/641	7969
Cat. No. for Hi-Lift, 841	7973
Cat. No. for safety equipment 621/641	7967
841	7966

**Data**

Max. lift	23 ft (7 m)
Forward tilt	2.5°
Rearward tilt	8°
Lateral tilt (either side)	2.5°
Total weight incl. fork tines, approx.	1880 lb (850 kg)

Model	Loads approved by the National Swedish Board of Industrial Safety for a load centre distance of 24-28 in (610-720 mm)
621	1770 lb (800 kg)
641	2420 lb (1100 kg)
841	3300 lb (1500 kg)

Specifications and design are subject to alterations without prior notice

**VOLVO BM**  
 VOLVO BM AB ESKILSTUNA SWEDEN

Ref. No. 21 1 669 1019  
 ENGELSKA