

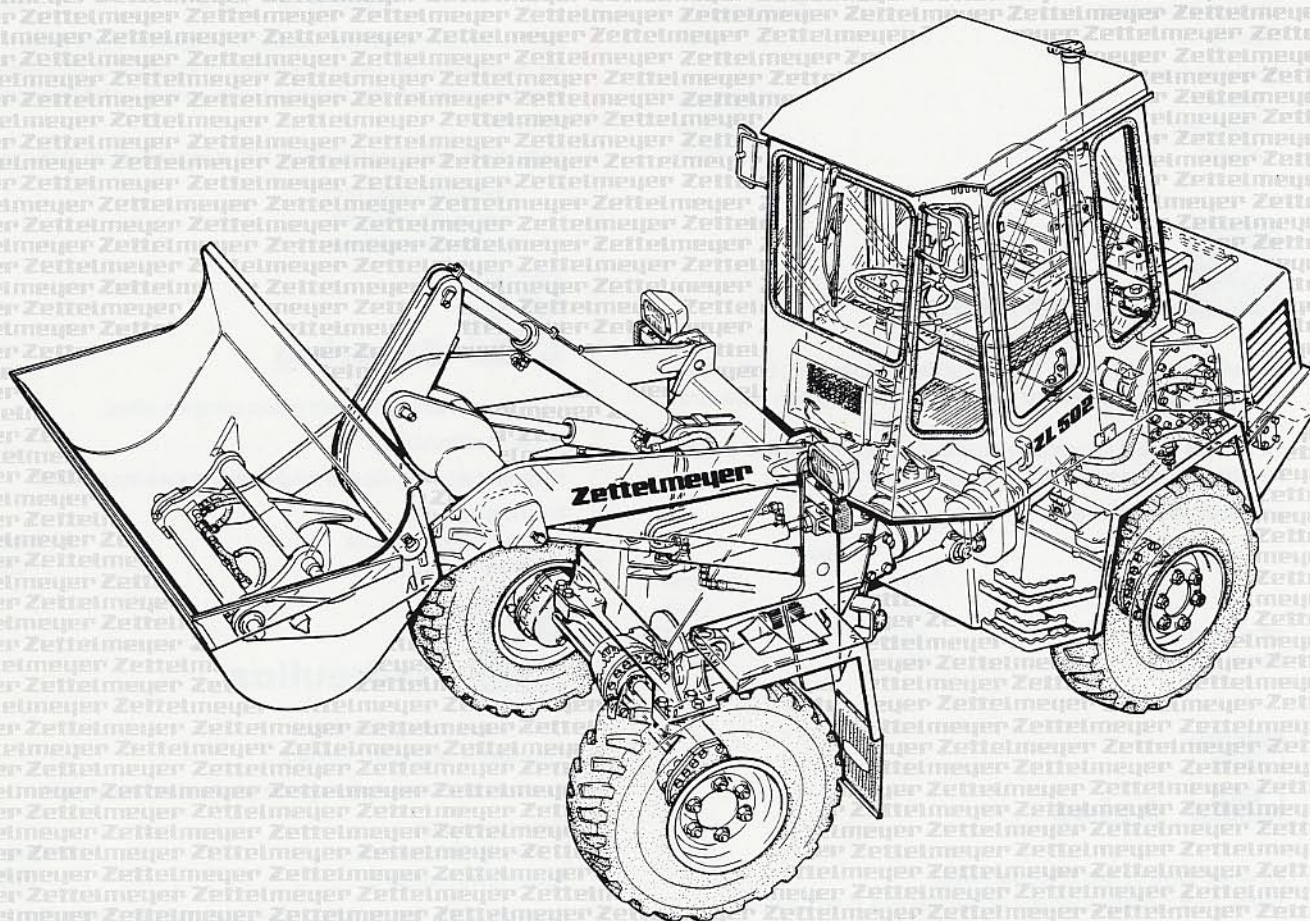
Technical Data

Wheel Loader

Zettelmeyer

made in W.-Germany

ZL 502



Basic Specifications

Operating Weight	4200 kg
Gross Power	34/46 kW/HP
Max. Speed	20 km/h
Standard Tyres	12.5-18 125 G
GP Bucket (SAE)	0.65 m ³
Bucket width	1750 mm

Wheel Loader ZL 502



Engine

Make	KHD
Type	F 4 L 1011
Gross Power @ 2800 rev/min	34/46 kW/hp
Net Power @ 2800 rev/min DIN 70020	33/45 kW/hp
Max. torque @ 1600 rev/min	118 Nm
No. cylinders/configuration	4/in-line
Bore/stroke	91/105 mm
Total displacement	2732 cm ³
Combustion system	direct injection
Cooling	oil/air
Electrical system:	
Battery	12/88 V/Ah
Alternator	14/60 V/A
Starter	12/2.2 V/kW



Transmission

Hydrostatic transmission, full gear shifting under load, both when changing direction (forward and reverse) and between work and travel range.

Inch/Brake Pedal for variable machine speed control and power transfer to bucket hydraulics at constant engine RPM.

2 Speeds forward/reverse

	Speed	
	Forward km/h	Reverse km/h
Work range	10.0	10.0
Travel range	20.0	20.0



Axles

All-wheel drive by two ZF portal axles.
100%, hydraulically operated differential lock in both axles.

Ground clearance	450 mm
Track with standard tyres	
Normal track	1382 mm
Wide track	1492 mm
Oscillation at wheel, max	250 mm
Angle of oscillation	±10°



Brakes

1. Service Brake: wear-free, hydrostatic Inching-Brake.
2. Service brake: central, friction brake, actuated via "Inching/Brake Pedal", acting upon all 4 wheels.
In the first stage of the stroke the "Inching/Brake Pedal" serves the "Inching", in the second stage the friction brake is additionally actuated.
3. Parking brake: central drum brake, acting upon all 4 wheels.



Tyres

				Rim
Standard:	12.5-18	125 G *	***	11 x 18
Optional:	12.5 R 18	132 G *	***	11 x 18
	12.5-20	126 G *	**	11 x 20
	12.5 R 20	134 G/147 A 2 *	**	11 x 20
	14.5-20	132 G **		11 x 20
	14.5 R 20	132 G/136 G **		11 x 20
	15.5/55 R 18	134 E ***		11 x 18
	405/70 R 18	153 A 2 **		13 x 18

NOTE: Under certain job conditions, a specific tread pattern may be required or, the t-km/h capability of standard or optional tyres may be exceeded. We recommend to consult us for optimum tyre selection.

Large track only in combination with a larger bucket: 1900 mm

- * Trackwidth 1382 mm
- ** Trackwidth 1482 mm
- *** Trackwidth 1492 mm



Steering

Central articulating oscillating joint damping effect.

Angle of articulation ± 39°

Hydraulic steering via one double-acting steering cylinder.

Gear-type pump

Flow @ 2800 rev/min.	22 litres/min
Relief valve pressure	150 bar



Hydraulics

One double-acting tilt cylinder
Two double-acting lift cylinders

Control valve three-spool system as standard equipment.

Gear-type pump

Flow @ 2800 rev/min.	45 litres/min
Relief valve pressure	200 bar

Common tank for working, drive and steering hydraulics safeguarded by a breather valve.

Thermostatically controlled oil circuit with integrated cooling system and electrically switched fan.

Filters can be changed without having to drain the tank.

Bucket level indicator

Lift time (loaded)	6.0 sec
Lowering time (empty)	3.0 sec
Dump time	1.0 sec
Crowd time	1.0 sec



Service Refill Capacities

Fuel tank	60.0 litres
Engine	10.5 litres
Hydraulic system incl. tank	60.0 litres
Front axle	10.0 litres
Rear axle incl. transmission	11.0 litres



Operating Data

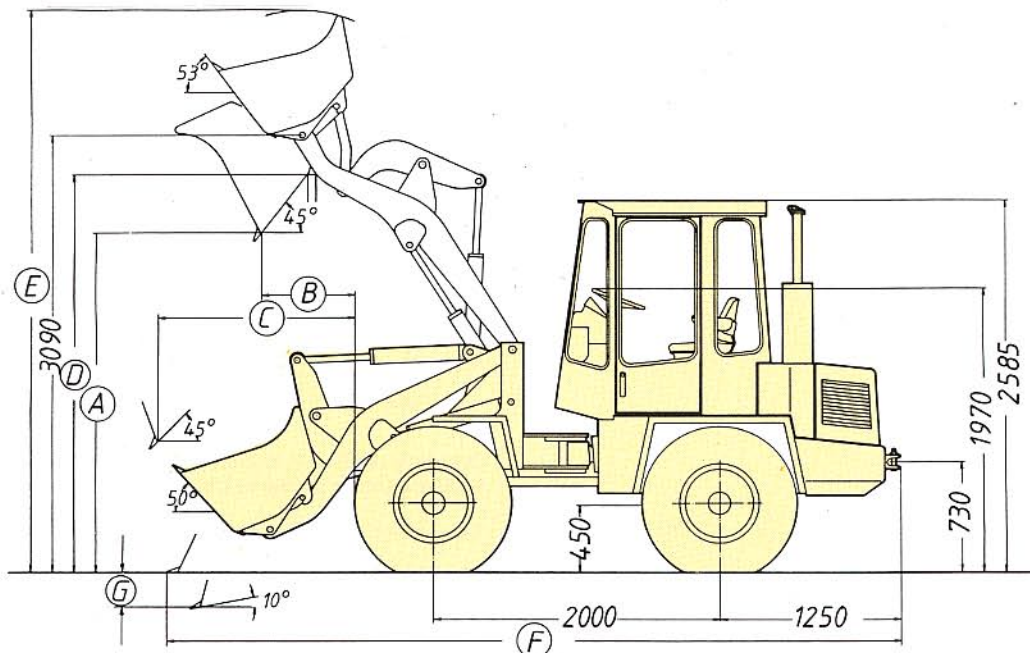
Buckets Dimensions and weights with standard tyres.		Bucket	Bucket	Bucket	Bucket	Bucket	Bucket	4 in 1 Bucket	High-Tip Bucket
Material density max.	t/m ³	1.9	1.6	1.4	1.1	0.9	0.7	1.7	0.9
Capacity, heaped	m ³	0.65	0.8	0.9	1.1	1.3	1.5	0.7	1.2
Capacity, struck	m ³	0.52	0.65	0.78	0.95	1.1	1.3	0.6	1.05
Bucket weight with teeth	kg	230	250	270	310	330	360	400	490
Bucket teeth		7	7	7	7	7	7	7	–
Static Tipping load, straight	kg	3050	3000	2950	2890	2800	2750	2730	2670
Static Tipping load at 39°	kg	2710	2670	2630	2570	2500	2450	2430	2370
Breakout force	daN	4000	3800	3400	2850	2700	2400	3470	–
Hydraulic lifting capacity, max.	daN	2950	2850	2800	2750	2680	2600	2600	2450
Operating weight	kg	4200	4220	4240	4280	4300	4330	4370	4460



Dimensions

(A) Dump height	mm	2500	2440	2390	2290	2260	2190	2330	3530
(B) Reach at max. height	mm	740	740	790	890	920	990	790	1150
(C) Reach max.	mm	1420	1420	1470	1570	1600	1670	1470	2105
(D) Load over height	mm	2850	2810	2810	2810	2810	2810	2810	3610
(E) Lift height max.	mm	3905	3970	4010	4110	4110	4240	3960	4630
(F) Total length	mm	5095	5180	5255	5385	5435	5535	5240	5430
(G) Digging depth at 10°	mm	195	250	265	285	295	310	260	280
Turning radius, outside bucket, min.	mm	4060	4090	4150	4200	4240	4275	4100	4490
Bucket width	mm	1750	1750	1900	1900	1900	1900	1750	1900

All technical data relate to the standard version. Machine illustrations may show optional features.



All dimensions relate to standard tyres.

Standard Equipment

Comfort-ROPS-cab

Walk-through cab
with flexible mountings
Insulation and acoustic lining
Lockable doors
3-way adjustable driver's seat
Seat belt

Steering wheel spinner knob
Neutral start switch

Gauges:

Fuel gauge
Hour meter
Drive system oil temperature

Indicator lamps for:

Direction indicator
Parking brake
Main beam
Pre-heater
Battery charging
Differential locks

Warning lights for:

Engine temperature
Engine oil pressure
Drive system oil temperature
Air filter restriction

Central audible alarm for:

Engine temperature
Engine oil pressure
Drive system oil temperature
Air filter restriction

12 V power socket
Heater with defroster
Pressurized Cab
Instrument lighting

Tool box

Tinted safety glass
(windscreen)
Windsreen wiper front and rear
Sliding windows in the left door
Quick-change attachment
carrier, hydraulic

General

Diesel engine with fuel
saving direct-injection
Alternator 60 A
Dry type air filter

Bucket level indicator
Auxiliary hydraulics front
Single lever control

Lockable engine hood
Lockable fuel-tank cap
Vertical exhaust
Towing device

Complete system in accordance
with German Road Traffic
Regulation

Sound insulation in accordance
with stringent German Code
U.V.V.-VGB 121

Safety equipment in accordance
with stringent German Code
U.V.V.-VGB 40

Certified for safe working by
German Excavation Trade
Association



Optional Equipment

ZLS – suspension of lift frame

PTO (hydraulic)
Extended lift arms
Heating independent
of engine
Sliding window (right)
Hinge-out skylight
or FOPS-guard

Windsreen washer

Attachments:

loading fork
hook and tackle
barrel clamp
pusher plate
angle dozer blade
sweeper

manure fork
tree transplanter
tree transplanting bucket

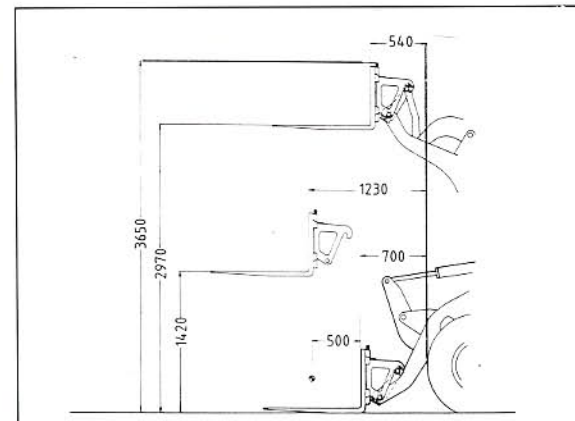
Additional hydraulics
for attachment carrier

Lifting eyes

Wide range of bucket sizes and
types with or without teeth
Silo bucket
Extra-wide bucket
Brick bucket
Bolt-on cutting edge

snow plow
salt and sand spreader
front winch
rock clamp
ground auger
hydraulic breaker
front scarifier

Loading Fork



	Without counterweight (valid for all tyres)	With 415 kg counterweight (valid for all tyres from 132 G, 150 A2, 134 E)
Tipping load articulated (DIN 24094)*	1900 kg	2340 kg
Lifting Force	2000 daN	2000 daN

Data only applicable to Zettelmeyer Loading Fork Code 6229 and Centre of Gravity Distance 500 mm.

*Stability Factors for Payload: 1.25 (smooth level surfaces)
2.00 (uneven rough surfaces)

We speak your language:

