

Zettelmeyer

made in W.-Germany

Wheel Loader ZL 501 Series B



Progress is our Tradition



Wheel Loader ZL 501 Series B



Engine

Make	Hatz/diesel, 4 cycle
Type	3 L 40 Z
Gross Power @ 2800 rev/min	31/42 kW/hp
Net Power @ 2800 rev/min DIN 70020	33/45 kW/hp
Max. torque @ 2200 rev/min	108 Nm
No. cylinders/configuration	3/in-line
Bore/stroke	102/105 mm
Total displacement	2574 cm ³
Combustion system	direct injection
Cooling	air
Electrical system:	
Battery	12/88 V/Ah
Alternator	14/55 V/A
Starter	12/2.7 V/kW



Transmission

Hydrostatic transmission, full powershift under load, both when changing direction (forward and reverse) and between work and travel range.

Inching pedal for variable machine speed control whilst maintaining engine power.

	Speed	
	Forward km/h	Reverse km/h
Work range	10.0	10.0
Travel range	20.0	20.0



Axles

All-wheel drive by two ZF portal axles.
100 %, hydraulically operated differential lock in both axles.

Ground clearance	450 mm
Track	1382 mm
Oscillation at wheel, max.	200 mm
Angle of oscillation	±10°



Brakes

1. Normal retardation is effected by the braking capacity of the hydrostatic motor acting upon all four wheels.
2. Service brake: hydraulically actuated central disc brake acting upon all four wheels.
3. Parking brake: mechanical actuation of drum brakes on rear wheels.



Tyres

		Rim
Standard:	12.5-18 8 PR	11 x 18
Optional:	15.55/R 18 14 PR	11 x 18
	12.5-20 8 PR	11 x 20
	14.5-20 10 PR	11 x 20
	16/70-20 10 PR	13 x 20

NOTE: Under certain job conditions, a specific tread pattern may be required or, the t-km/h capability of standard or optional tyres may be exceeded. We recommend that tyre manufactures be consulted for optimum tyre selection.



Steering

Central articulating oscillating joint damping effect.

Angle of articulation ± 38°

Hydraulic steering via one double-acting steering cylinder.

Gear-type pump flow @ 2800 rev/min.	22.5 litres/min
Relief valve pressure	150 bar



Hydraulics

One double-acting tilt cylinder
Two double-acting lift cylinders
Control valve three-spool system as standard equipment.

Gear-type pump flow @ 2800 rev/min.	45 litres/min
Relief valve pressure	200 bar

Common tank for working, drive and steering hydraulics safeguarded by a breather valve.
Thermostatically controlled oil circuit with integrated cooling system and electrically switched fan.
Filters can be changed without having to drain the tank.

Bucket level indicator	
Lift time (loaded)	6.5 sec
Lowering time (empty)	3.0 sec
Dump time	1.8 sec
Crowd time	1.0 sec



Service Refill Capacities

Fuel tank	60.0 litres
Engine	7.5 litres
Hydraulic system incl. tank	50.0 litres
Front axle	7.4 litres
Rear axle incl. transmission	9.9 litres



Operating Data (in accordance with SAE standards)

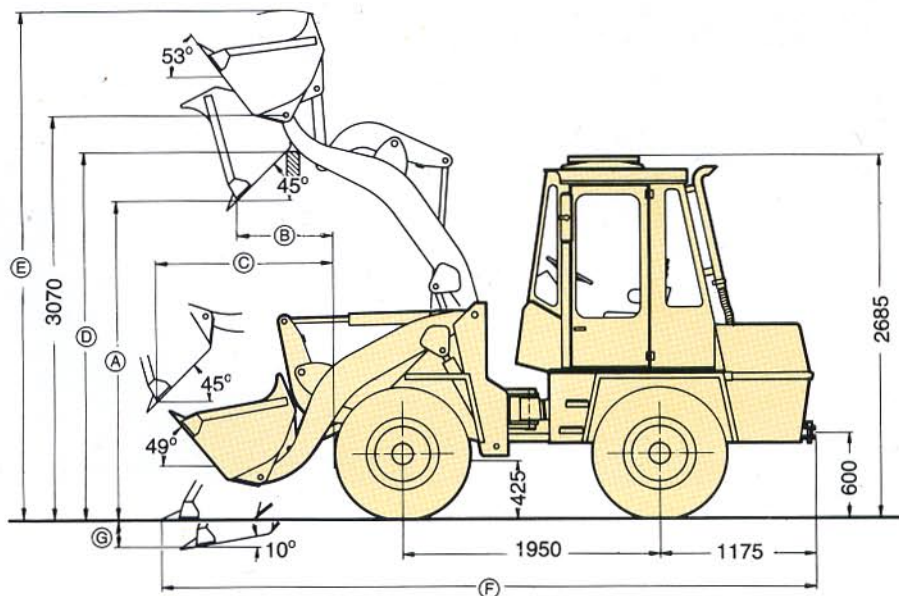
Buckets Dimensions and weights with standard tyres.	Bucket	Bucket	Bucket	Bucket	Bucket	Bucket	Bucket	4 in 1 Bucket	High-Tip Bucket	
Material density max.	t/m ³	2.1	1.8	1.5	1.2	0.9	0.7	0.6	1.7	0.9
Capacity, heaped	m ³	0.5	0.6	0.7	0.85	1.0	1.2	1.5	0.6	1.0
Capacity, struck	m ³	0.42	0.5	0.6	0.7	0.85	1.1	1.3	0.5	0.95
Payload	kg	1500	1080	1050	1020	900	840	900	1020	900
Bucket weight with teeth	kg	290	290	300	320	390	430	440	480	490
Bucket teeth		6	6	6	6	6	6	6	6	—
Tipping load, straight	kg	2790	2760	2700	2600	2400	2350	2340	2440	2400
Tipping load at 38°	kg	2190	2160	2100	2040	1870	1800	1800	1920	1800
Breakout force	daN	3700	3650	3200	2800	2600	2200	2200	3400	2500
Hydraulic lifting capacity	daN	2700	2660	2560	2510	2330	2250	2240	2350	2350
Operating weight	kg	4080	4080	4090	4110	4180	4220	4230	4270	4290



Dimensions

Ⓐ Dump height	mm	2520	2470	2370	2300	2165	2070	2070	2415	3530
Ⓑ Reach at max. height	mm	775	755	780	850	820	925	925	760	1110
Ⓒ Reach max.	mm	1455	1435	1460	1530	1500	1605	1605	1440	2070
Ⓓ Load over height	mm	2870	2830	2790	2790	2720	2720	2720	2820	3570
Ⓔ Lift height max.	mm	3750	3840	3810	3900	3880	4015	4015	3920	4630
Ⓕ Total length	mm	4920	4970	5100	5200	5370	5500	5500	5040	5290
Ⓖ Digging depth at 10°	mm	180	220	290	310	435	460	460	270	300
Turning radius, outside bucket	mm	4250	4300	4350	4380	4440	4480	4600	4320	4400
Bucket width	mm	1750	1750	1750	1750	1750	1750	2000	1750	1750

All technical data relate to the standard version. Machine illustrations may show optional features.



All dimensions relate to standard tyres.

Width across standard tyres 1710 mm.

Standard Equipment

Comfort ROPS cab

Walk-through cab
with flexible mountings
Insulation and acoustic lining
Lockable doors

3-way adjustable driver's seat
Seat belt

Steering wheel spinner knob
Neutral start switch

Gauges:
Fuel gauge
Hour meter

Indicator lamps for:
Direction indicator
Main beam
Battery charging

Warning lights for:
Engine oil pressure
Drive system oil
temperature
Air filter restriction

Central audible alarm for:
Engine temperature
Drive system oil
temperature

12 V power socket
Heater with defroster
Instrument lighting

Storage compartment in the door
Tool box (lockable)

Tinted safety glass
(windscreen)
Windscreen wiper front and rear
Hinge-out cab roof hatch
Sliding windows in the doors

General

Alternator
Dry type air filter

Bucket level indicator
Single lever control

Fenders and service platforms
Hoodsides
Lockable engine hood
Lockable fuel-tank cap
Vertical exhaust
Towing device

External rear view mirrors
Security kit

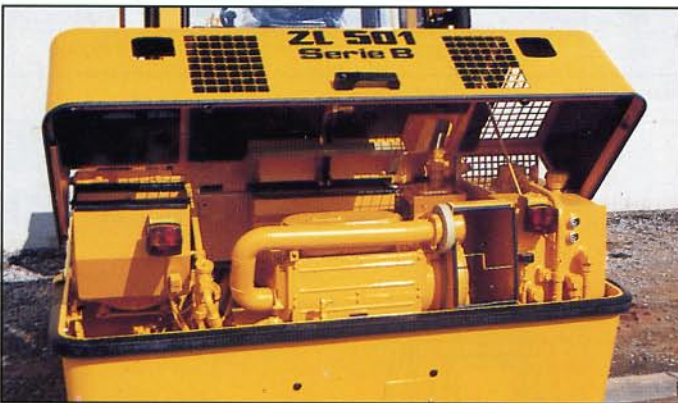
Complete system in accordance
with German Road Traffic
Regulation

Sound insulation in accordance
with stringent German Code
U.V.V. – VGB 121

Safety equipment in accordance
with stringent German Code
U.V.V. – VGB 40

Certified for safe working by
German Excavation Trade
Association

Easy access to all components.



Optional Equipment

Cold start aid
Dual air filtration

Dashboard cover

Auxiliary hydraulics, front
Auxiliary hydraulics, rear
Three-point linkage
with PTO shaft
PTO (hydraulic)
Extended lift arms
Rear backhoe mounting plate

Windscreen washer

»QC« Quick change-attachment carrier, mechanical or hydraulic

Attachments:

QC loading fork
QC hook and tackle
QC barrel clamp
QC pusher plate
QC angle dozer blade
QC sweeper

QC manure fork
QC tree transplanter
QC tree transplanting bucket

Lifting eyes
FOPS guard
Stacker guard

Wide range of bucket sizes and
types with or without teeth
Silo bucket
Extra-wide bucket
Brick bucket
Bolt-on cutting edge

Rear mounted backhoe
Rear scarifier
Rotary hoe

QC snow plow
QC salt and sand spreader
QC front winch
QC rock clamp
QC ground auger
QC hydraulic breaker
QC front scarifier

