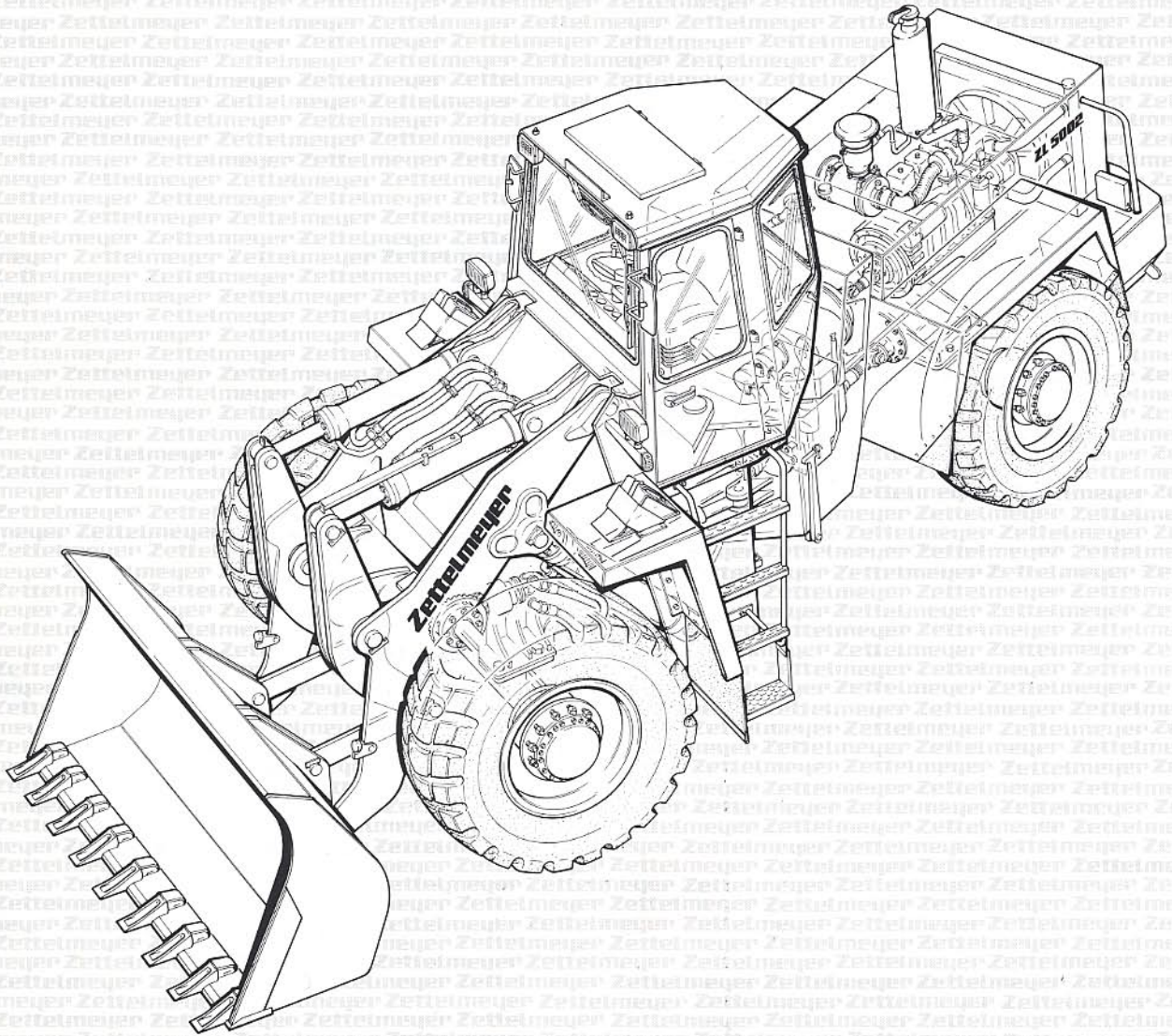


Technical Data

Zettelmeyer

Wheel Loader ZL 5002



Basic Specifications

Operating Weight	23300 kg
Gross Power	216 kW/290 PS
Max. Speed	38.0 km/h
Standard Tyres	26.5 R 25
GP Bucket (SAE)	4.2 m ³
Bucket Width	3000 mm

Wheel Loader ZL 5002

Engine



Make	Cummins
Type	LTA 10 - C 290
Net Power @ 2100 rev/min DIN 70020	206/280 kW/hp
Gross Power @ 2100 rev/min	216/290 kW/hp
Max. torque @ 1300 rev/min	1180 Nm
No. cylinders/configuration	6/in-line
Bore/stroke	125/136 mm
Total displacement	10200 cm ³
Combustion system	after cooled/turbocharged/direct injection
Cooling	water
Electrical system:	
Batteries	2 x 12/143 V/Ah
Alternator	28/65 V/A
Starter	24/7.5 V/kW

Transmission



Full powershift countershaft transmission with integral torque converter.

Four speeds forward three reverse. Single lever control. Softshift feature for full-power direction change in 1st and 2nd gear.

	Speed	
	Forward km/h	Reverse km/h
1st gear	5.5	5.5
2nd gear	11.5	11.5
3rd gear	25.0	25.0
4th gear	38.0	—

Axles



Spiral bevel pinion and ring gear differentials. All wheel drive by two rigid axles. Oscillating rear axle with central greasing point. Limited slip differentials with outboard mounted planetary final drives in both axles.

Ground clearance	490 mm
Track	2215 mm
Oscillation at wheel, max.	425 mm
Angle of oscillation	± 12°

Brakes



- Service brake: hydraulically actuated oil immersed multi-disc brakes hub mounted on all four wheels. Dual circuit for front and rear axles. Automatic transmission declutch with brake pedal depression.
- Parking brake: spring-applied oil released disc brake mounted at the transmission output shaft acting upon all four wheels.

Tyres



	Standard:	Rim
26.5 R 25	22.00–25	
Optional: 23.5–25	19.50–25	
30/65–25	22.00–25	
29.5 R 25	25.00–25	

NOTE: Under certain job conditions, a specific tread pattern may be required or, the t-km/h capability of standard or optional tyres may be exceeded. We recommend that tyre manufactures be consulted for optimum tyre selection.

Steering



Articulated frame steering with 40° steering angle to both sides. Hydrostatic load-sensing steering.

Two double-acting steering cylinders.

Axial piston pump with pressure-compensation control

Flow	0–149 litres/min
Relief valve pressure	150 bar

Emergency steering pump: transmission mounted ground driven radial piston pump.

Hydraulic



Load-sensing-hydraulic system.

Two double-acting tilt cylinders.

Two double-acting lift cylinders.

Control valve-two spool system as standard equipment.

Tandem axial piston pump

Flow @ 2100 rev/min	2 x 149 litres/min
Relief valve pressure	250 bar

Gear pump for servo-control and brake

Flow @ 2100 rev/min	33.6 litres/min
---------------------	-----------------

Common tank for working and steering hydraulics safeguarded by a breather valve.

Filters can be changed without having to drain the tank.

Automatic bucket leveller

Lift time (loaded)	6.5 sec.
Lowering time (empty)	4.6 sec.
Dump time	1.7 sec.
Crowd time	1.3 sec.

Service Refill Capacities



Fuel tank	360.0 litres
Engine with filter	26.5 litres
Hydraulic system incl. tank	230.0 litres
Front axle	54.0 litres
Rear axle	51.0 litres
Transmission	21.0 litres

Wheel Loader ZL 5002

Operating Data (in accordance with DIN standards)



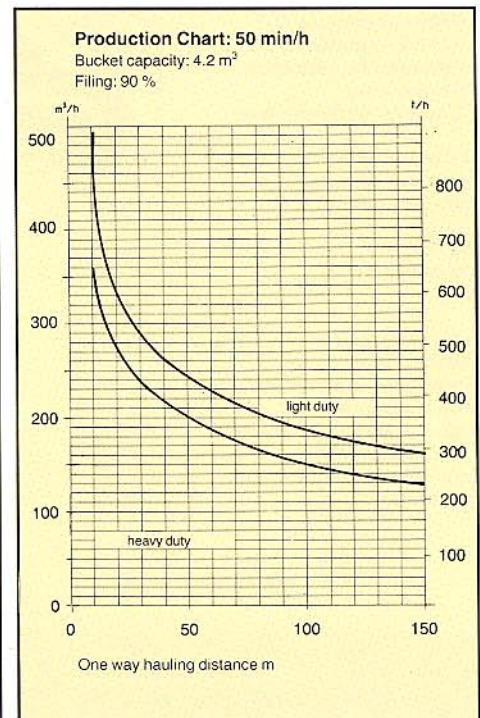
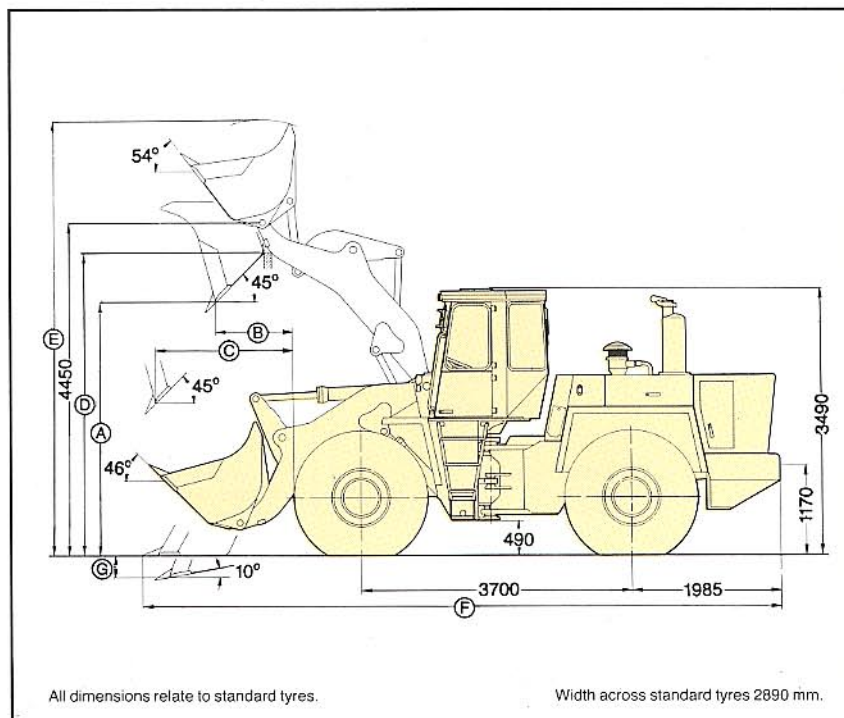
Buckets Dimensions and weights with standards tyres.	Bucket	Rock Bucket Spade Nose	Bucket	Bucket	Bucket	Bucket	
Material density	t/m ³	2.2	1.8	1.8	1.7	1.5	1.2
Capacity, heaped	m ³	3.5	4.0	4.2	4.5	5.0	6.0
Capacity, struck	m ³	3.0	3.5	3.6	3.9	4.5	5.2
Bucket weight with teeth	kg	1850	2600	2000	2100	2200	2300
Bucket teeth		9	8	9	9	9	9
Static tipping load, straight	kg	18100	17150	17750	17650	17400	16950
Static tipping load at 40°	kg	15800	15000	15500	15400	15200	14800
Breakout force	daN	25800	24000	24200	21600	19000	17500
Hydraulic lifting capacity, max.	daN	21600	20500	21100	20600	20200	19600
Operating weight	kg	23150	23900	23300	23400	23500	23600

Dimensions



Ⓐ Dump height	mm	3320	3220	3230	3160	3080	2920
Ⓑ Reach at max. height	mm	1130	1145	1140	1290	1360	1520
Ⓒ Reach max.	mm	2060	2055	2050	2220	2280	2450
Ⓓ Load over height	mm	4070	4050	4050	4070	4070	4070
Ⓔ Lift height max.	mm	5790	6170	5910	6030	6250	6250
Ⓕ Total length	mm	8710	8870	8830	8940	9040	9270
Ⓖ Digging depth at 10°	mm	335	400	400	370	390	430
Turning radius, outside bucket	mm	7220	7280	7260	7290	7310	7380
Bucket width	mm	3000	3000	3000	3000	3000	3000

All technical data relate to the standard version.



Standard Equipment



Comfort ROPS + FOPS Cab

Detachable cab, with flexible mountings, located on the front frame for better sound and thermal insulation whilst providing excellent all-round visibility on the job.

Insulation and acoustic lining
Lockable doors

4-way adjustable driver's seat
Passenger's seat
Seat belts

Steering wheel spinner knob
Neutral start switch

Gauges:

Fuel gauge
Hour meter
Speedometer
Transmission temp. gauge
Transmission shift press. gauge
Hydraulic pressure gauge
Engine temperature gauge
Engine oil pressure gauge

Indicator lamps for:

Direction indicator
Main beam
Battery charging
Transmission declutch

Warning lights for:

Air filter restriction
Hydraulic filter restriction
Parking brake
Service brake
Emergency steering pump
Cooling water level

Central audible alarm for:

Engine temperature
Engine oil pressure
Air filter restriction
Hydraulic filter restriction
Service brake
Transmission temperature

24 V power socket
Heater with defroster
Instrument lighting

Tool box
Interior lighting
Radio

Tinted safety glass (windscreen)
Windscreen wiper front and rear
Windscreen washer
Hinge out upper door section with sliding windows
Hinge-out out skylight
Cab ventilation

General

Diesel engine with direct injection and turbocharging

Alternator 65A
Dry-type air filter with exhaust ejector
Cold start aid

Transmission declutch
Single lever control
Automatic bucket leveller
Front working floodlights

Fenders and service platforms
Hoodsides
Lockable engine hood
Vertical exhaust
Towing device

External rear view mirrors
Security kit
Reversing lights
Counterweight

Complete system in accordance with German Road Traffic Regulation

Sound insulation in accordance with stringent German Code U.V.V.-VBG 121

Safety equipment in accordance with stringent German-Code U.V.V.-VBG 40

Certified for safe working by German Excavation Trade Association



Optional Equipment



Air conditioning
Heating independent of engine

Auxiliary hydraulics, front
Extended lift arms
ZLS suspension of lift frame
Lifting eyes

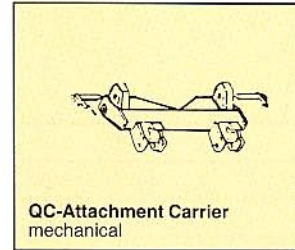
Wide range of bucket sizes and types with or without teeth
Silo bucket
Extra-wide bucket
Brick bucket
4 in 1 bucket
High-tip bucket
Side-tip bucket
Bolt-on cutting edge

»QC« Quick-change attachment carrier, mechanical/hydraulic
Attachments:
Loading fork

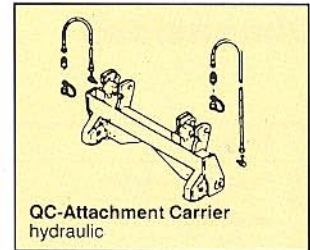
Tree transplanting bucket
Log grapple

Snow plow
Snow blower
Front winch

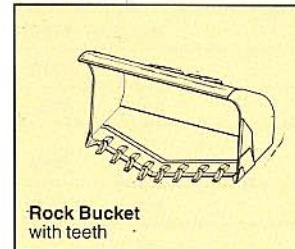
Hydraulic breaker



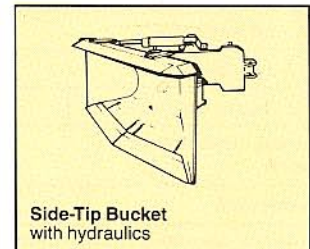
QC-Attachment Carrier
mechanical



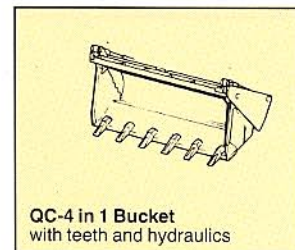
QC-Attachment Carrier
hydraulic



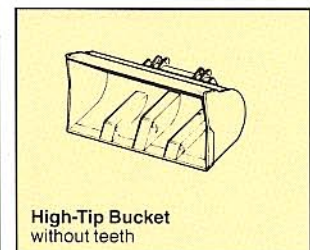
Rock Bucket
with teeth



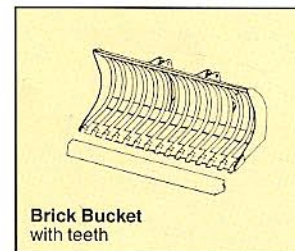
Side-Tip Bucket
with hydraulics



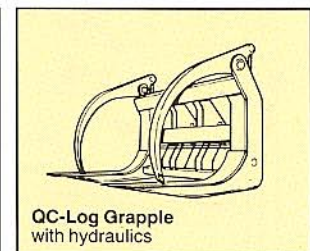
QC-4 in 1 Bucket
with teeth and hydraulics



High-Tip Bucket
without teeth



Brick Bucket
with teeth



QC-Log Grapple
with hydraulics

