

# Zettelmeyer

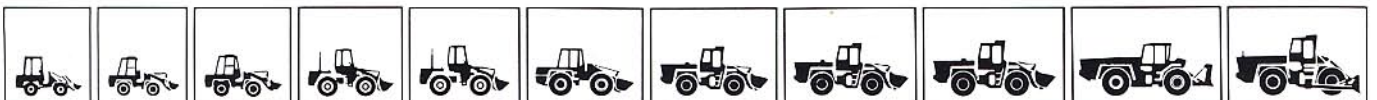
made in W.-Germany

## Wheel Loader ZL 42 C

Standard Bucket Capacity 1.7 m<sup>3</sup>



Germany's only wheel loader manufacturer with a complete performance range





# Wheel Loader ZL 42 C



## Engine

Make/system ..... Deutz/Diesel 4 stroke  
 Type ..... F6L 912  
 Gross power @ 2500 rev/min. .... 88 kW/119 hp  
 Net power @ 2500 rev/min. .... 82 kW/110 hp  
 Max. torque ..... 356 Nm  
 at engine speed ..... 1600 rpm  
 No. cylinders/configuration ..... 6/in-line  
 Bore/stroke ..... 100/120 mm  
 Displacement ..... 5652 cm<sup>3</sup>  
 Combustion system ..... direct injection  
 Cooling ..... Air

Electrical system  
 battery ..... 2 x 12 V/110 Ah  
 alternator ..... 28 V/17 A  
 starter ..... 12 V/4 kW



## Transmission

Hydrostatic transmission, gear selection for work/travel range.  
 Inching pedal for continuously variable speed control.

Speeds (standard tyres)

	forward km/h	reverse km/h
Work range	13	13
Travel range	37	37



## Axles

Heavy duty axles with free floating axle shafts and planetary reduction in all wheel hubs.

Both axles with limited slip differentials.

Tyre Track 1860 mm.



## Brakes

1. Hydrostatic brakes: Normal retardation is effected by the braking capacity of the hydrostatic system on all four wheels (saves maintenance cost for the disc brake system).
2. Service brake: Air boosted hydraulic dual disc brakes on all four wheels. Dual circuit.
3. Parking brake: Disc brake on transmission shaft. Lever operated, mechanical linkage.



## Tyres

Standard: 20.5 – 25 (L-2) 12 Ply ..... rim  
 17 x 25  
 Optional: 20.0 – 24 (L-2) 12 Ply ..... 16 x 24

NOTE: Under certain job conditions the t-km/h capability of standard or optional tyres may be exceeded. We recommend that tyre manufacturers be consulted for optimum tyre selection.



## Steering

Central articulating oscillating joint

Central articulation ..... ± 40°  
 Oscillation ..... ± 11°

Hydraulic steering via 2 double-acting steering cylinders  
 bore/stroke ..... 75/45 mm

Pump: gear-type  
 capacity at 2500 rpm ..... 129.5 litre/min.

Relief valve pressure ..... 180 bar



## Hydraulics

2 double-acting tilt cylinders  
 bore/stroke ..... 89/530 mm

2 double-acting lift cylinders  
 bore/stroke ..... 114/680 mm

Pump: gear-type  
 capacity at 2500 rpm ..... 155.5 litre/min.

Safety pressure ..... 200 bar

The common tank for the working hydraulics, drive and steering hydraulics is pressurized (0.3 bar).

Thermostat controlled oil circuit with integrated cooling system.

Filters can be changed without having to drain the tank.

Lifting time (loaded) ..... 6 sec.

Lower time (empty) ..... 3.6 sec.

Dump time ..... 1.8 sec.

Roll back time ..... 2.5 sec.



## Service Data

Fuel tank ..... 200 litre

Engine ..... 16.5 litre

Hydraulic system incl. tank ..... 150 litre

Front axle ..... 18.5 litre

Rear axle ..... 22.5 litre

Brakes ..... 1.0 litre



## Operating Data Rated payload with GP Bucket 2.89 tonne.

Buckets dimensions and weights with 20.5 – 25 tyres		High- density bucket	High- density bucket	GP bucket	Light Mat. bucket	Light Mat. bucket	Light Mat. bucket	Light Mat. bucket	Clam bucket (4 in 1)
Material density max.	t/m <sup>3</sup>	2.2	1.9	1.7	1.3	1.1	0.9	0.5	1.7
Capacity, heaped	m <sup>3</sup>	1.3	1.5	1.7	2.0	2.4	2.7	4.0	1.6
Capacity, struck	m <sup>3</sup>	1.1	1.25	1.4	1.7	2.1	2.25	3.4	1.4
Bucket weight	kg	740	740	780	840	910	1 100	1 400	950
Bucket teeth		9	9	9	9	9	9	9	9
Tipping load, straight	kg	7 460	7 460	7 400	7 050	6 900	6 800	6 000	6 900
Tipping load full turn	kg	5 840	5 840	5 780	5 500	5 350	5 300	4 500	5 450
Breakout force	daN	10 000	10 000	9 300	8 100	7 100	6 900	5 400	8 500
Hydraulic lifting capacity	daN	8 100	8 100	8 000	7 600	7 350	7 300	6 400	7 500
Operating weight	kg	9 860	9 860	9 900	9 960	10 030	10 220	10 520	10 070

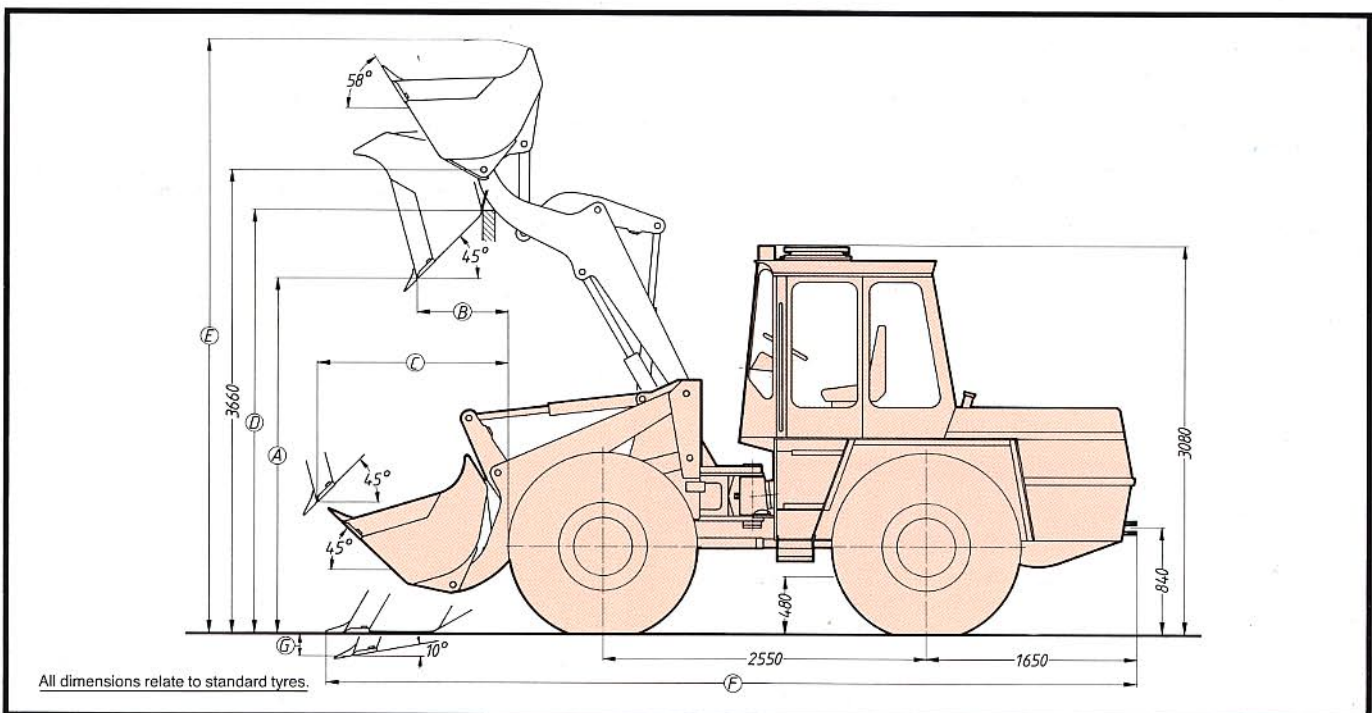


## Dimensions

(A) Dump height	mm	2 840	2 840	2 795	2 670	2 580	2 600	2 210	2 745
(B) Reach at max. height	mm	700	700	740	780	875	930	1 000	790
(C) Reach at 1800 mm height	mm	1 485	1 485	1 530	1 570	1 660	1 720	1 790	1 580
(D) Load over height	mm	3 285	3 285	3 285	3 245	3 245	3 285	3 200	3 300
(E) Lift height max.	mm	4 500	4 600	4 700	4 750	4 860	4 930	5 170	4 860
(F) Total length	mm	6 360	6 360	6 430	6 605	6 735	6 705	7 180	6 500
(G) Digging depth at 10°	mm	200	200	210	290	310	260	510	225
Turning radius, outside bucket	mm	5 100	5 100	5 150	5 200	5 250	5 350	5 500	5 200
Bucket width	mm	2 500	2 500	2 500	2 500	2 500	2 600	2 600	2 500

**Optimum performance calls for the right bucket. 6 different buckets are available for the ZL 42 C. A bucket for every type of material and for every kind of work.**

Machine illustrations may show optional features.





## Standard Equipment

### Cab (ROPS)

Door Locks  
 Floor Mat  
 4-Way Adjustable Seat  
 Safety Belt  
 Gauges and Indicators  
 Speedometer  
 Brake System Air Pressure  
 Hour Meter, Fuel Gauge  
 Engine Temperature  
 Engine Oil Pressure  
 Air Cleaner Restriction  
 Insulation and Acoustic Lining  
 Sky light  
 Windshield Wipers (electric)  
 Windshield Washers  
 Steering Wheel Spinner Knob  
 Independent Heater

### General:

Access Steps  
 Air cleaner  
 Automatic Bucket Levelling  
 Drawbar with Pin  
 Ether Cold Start  
 Fenders  
 Hood sides  
 Road and Working Lights  
 Shipper Bar  
 Tyre Inflation Kit

## Optional Equipment

### FOPS

Single Lever Control  
 Lifting Eyes

### Attachments:

Bucket 1.3 – 4 m<sup>3</sup>  
 4 in 1 Bucket  
 High Tip Bucket (Coal):  
 Capacity 2.5 m<sup>3</sup>  
 Load-over height 4270 mm  
 Dump height at 45° 4210 mm  
 Reach at max dump height 1230 mm  
 Quick Change Plate  
 Loading Fork



The ZL 42 C – a highly productive wheel loader, assuring high output – continuously.

Distributor:

# BLACKWOOD HODGE

Barnsley - 0226-89441  
 Belfast - 02313-48371  
 Cumbernauld - 02367-21111  
 Caerphilly - 0222-866411  
 Haydock - 0942-728634  
 London - 01-629-9090

Northampton - 0604-63121  
 Penrith - 0768-656447  
 St. Austell - 0726-4187  
 Sevenoaks - 0732-885464  
 Shepton Mallet - 0749-3971  
 Tynemouth - 0632-574242

Zettelmeyer Baumaschinen GmbH, P. O. Box 1340, D-5503 Konz, Germany, Tel. (6501) 840, Tx. 472 771

**Zettelmeyer**