

BM-VOLVO

854



Weight: 10.2 tons Standard bucket: 2¹/₄ cu. yd (1.7 m³) Engine: 157 hp

- 4-wheel drive, Power-Shift transmission, 3 speeds in both forward and reverse
- Comfortable, impact-tested safety cab is standard
- Dual-circuit braking system, air-operated, acting on all 4 wheels
- Long wheelbase, good stability
- Heavy-duty components for long life and reliability
- Easy access for inspection and service

Specification BM-VOLVO 854

Weights

Total	22,500 lb. (10,200 kg)
Front axle	10,800 lb. (4,900 kg)
Rear axle	11,680 lb. (5,300 kg)

Capacities SAE

Tipping load	13,230 lb. (6,000 kg)
Standard bucket	2¼ cu.yd. (1.7 m³)

Tyre, sizes

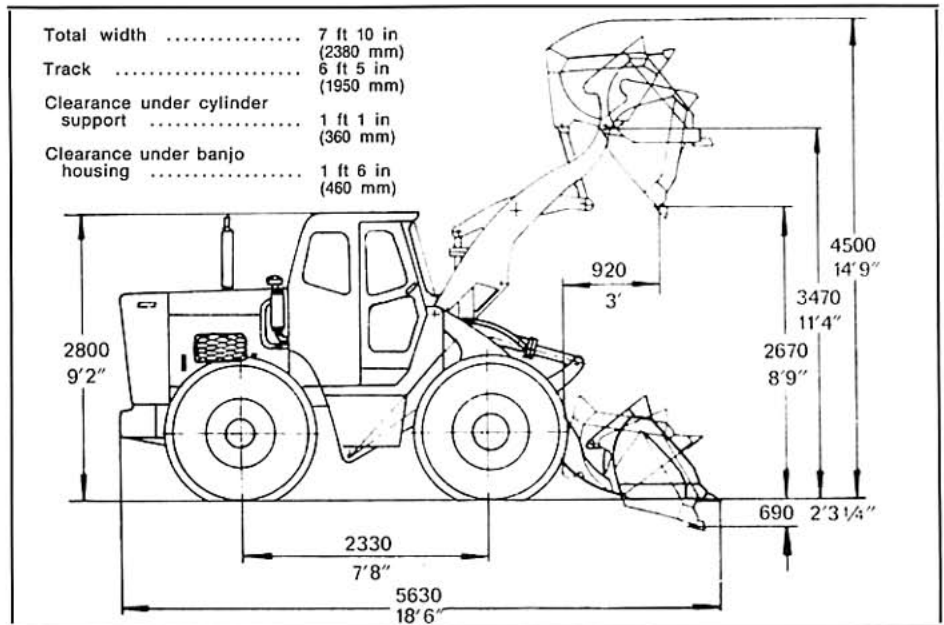
Standard tubeless	16.00×24/12
Optional tubeless	17.5×25/12
Optional tubeless	20.5×25/12

Geometry

Max. dumping angle at max. lift height	50°
Max. tilt-back in carrying position	45°
Turning circle radius ..	19.7 ft. (6.0 m)

Engine

Type	Volvo diesel D 70 A
Rating, SAE, at 2,400 r.p.m.	157 hp
Max. torque, SAE, at 1,200 r.p.m.	383.4 ft.-lb. (53 kpm)
No. of cylinders	6



Transmission

Converter with torque multiplication, ratio ..	3,0:1
Power-Shift gearbox	3 forward gears and 3 reverse
Final drives (all 4 wheels)	Epicyclic gears in hubs

Speeds, forward and reverse

I	0—3.1 mph (0—5 km/h)
II	0—9 mph (0—14.5 km/h)
III	0—26.1 mph (0—42 km/h)

Brakes

Air operated, dual-circuit system, all 4 wheels

Hydraulics

Pump capacity	44 Imp.gal/min (200 l/min)
Working pressure	1990 lb/in ² (140 kp/cm ²)
Lifting time	7 s
Lowering time	5 s

Standard equipment

Generator, starter, batteries, horn, voltage regulator, air cleaner, toolbox, two headlights at front and two at rear, tail lights, brake lights, directional indicators, suction fan for engine cooling, bonnet side panels, adjustable driver's seat, master switch and key, impact-proof cab, cab lighting, front and rear windscreen wipers, opening rear window, working lights, cigar lighter, outlet for wandering lead, cab heater and defroster, standard toothed bucket.

Optional equipment

Engine preheater, electric fuel gauge, speedometer with milometer, hydraulically or mechanically operated implement attachment, various types of implement (eg. rock bucket, snow bucket, angle-tine forks, lumber forks, crane jib. etc.)

The manufacturers reserve the right to change specifications without notice.



BOLINDER-MUNKTELL

— a member of the Volvo Group,
Eskilstuna, Sweden

Nr 2158 E