

# BM-VOLVO LM 845



## The new articulated Allrounder

— the latest addition to the BM-VOLVO range of Allrounders — Europe's most purchased loaders.

The LM 845 is of completely new design incorporating articulated steering, but it retains distinct family ties with the other BM-VOLVO Allrounders: extra large wheels, long outreach and high lift, generous ground clearance and unmatched versatility. Augmented by the LM 845, the BM-VOLVO series of Allrounders offers you still better possibilities of selecting the correct machine for your specific requirements.

- **Articulated steering** — tight turning radius and easier unloading, e. g. onto lorries.
- **Extra large wheels** — adapted to the load distribution of the machine. Higher effective tractive power. Lower ground pressure — good floatation even under soft and slippery conditions.
- **Powerful VOLVO diesel engine** — built for very good fuel economy and long life under arduous conditions.
- **Long outreach and high lift** — fast loading onto high-sided lorries from a **single** side.
- **Excellent driver comfort** — comfortable cab with low noise level. Wraparound windscreen ensures excellent visibility. High efficiency ventilation and heating systems.
- **Unmatched versatility** — BM-VOLVO attachment range with special attachments for applications in civil engineering, industries, forestry, sand and gravel pits, quarries etc.
- **Maximum safety** — impact-tested safety cab. Twin brake circuits. Orbitrol hydrostatic steering. Flashing warning signals. Safety start device.
- **Generous standard equipment** — Many "extras" are included in the basic price — cab, lighting, defroster, cab heater, wipers etc.

# Specification BM-VOLVO LM 845

## Engine

Volvo 6-cylinder, 4-stroke, direct injection diesel, type	D 50 B
Max. rating at 2 400 rev/min	112 hp SAE
Max. torque at 1 800 rev/min	256.8 lbf ft (35.5 kgf m)
Displacement	313 in <sup>3</sup> (5.13 litres)
Bore	3.75 in (95.25 mm)
Stroke	4.72 in (120 mm)
Compression ratio	17:1
Air cleaner	Centrifugal separator with dry filter element, pressure drop indicator

## Electrics

Voltage	24 V
Alternator	700 W
Starter	4 hp
Transistorized charging relay	
Safety start device	

## Torque converter

Single stage, single phase with 3.3:1 stall ratio

## Transmission

Full power-shift in two ranges with four forward and four reverse speeds

## Speeds

Forward and reverse in miles/h (km/h)

I	0-4.8 (0-7.7)
II	0-7.5 (0-12.0)
III	0-12.7 (0-20.4)
IV	0-18.6 (0-30.0)

Self locking differential, Lok-o-Matic type

Fully floating axles with planetary gears on all wheels

## Tyres

Standard: front	18.4-34/14
rear	16.9-30/14

## Steering

Hydrostatic system

Angular deflection to both sides	40°
Turning radius	16 ft 1 in (4.90 m)

## Brakes

Hydro-pneumatic, 2-circuit safety system with drum brakes on all wheels

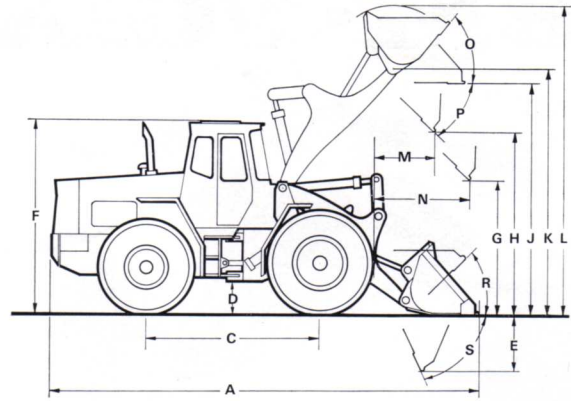
Parking brake

## Hydraulics

Hydraulic pump, type	Hamworthy
Capacity	48 Imp.gal/min (220 l/min)
Working pressure (low pressure system)	1 700 lbf/in <sup>2</sup> (120 kgf/cm <sup>2</sup> )
Oil capacity	28.5 Imp.gal (130 litres)
Lifting cylinders, bore×stroke	5×37 1/2 in (130×950 mm)
Tipping cylinders, bore×stroke	4 1/4×19 1/4 in (110×490 mm)

## General data

Total weight with bucket	19 900 lb (9 000 kg)
Total weight with attachment bracket and bucket	20 300 lb (9 200 kg)
Wheel base	8 ft 10 in (2.70 m)
Track front and rear	5 ft 7 in (1.90 m)
Ground clearance	1 ft 8 in (0.50 m)
Fuel tank capacity	43 Imp.gal (195 litres)



## Dimensions

A	21' 4" (6500 mm)	K	12' 7" (3830 mm)
C	8' 10" (2700 mm)	L	14' 5" (4400 mm)
D	1' 8" (500 mm)	M	3' 2" (970 mm)
E	2' (610 mm)	N	3' 11" (1200 mm)
F	9' 10" (3000 mm)	O	50°
G	6' 7" (2000 mm)	P	45°
H	9' 8" (2950 mm)	R	41°
J	11' 8" (3550 mm)	S	52°

## Operating data\*

Max. lifting height under tipped bucket	9 ft 8 in (2.95 m)
Max. outreach at a height of 6 1/2 ft (2 metres)	3 ft 11 in (1.20 m)
Tipping load, SAE, straight/angled machine at 6 1/2 ft (2 metres) from front wheel centre	12 350/10 580 lb (5 600/4 800 kg)
Carrying capacity, basic bucket, angled machine	9 920 lb (4 500 kg)
Carrying capacity, snap-on attachment bracket, basic bucket	9 260 lb (4 200 kg)
Capacity, basic bucket	2.1 yd <sup>3</sup> (1.6 m <sup>3</sup> )

\* The capacity figures are based on rear tyres without calcium chloride solution.

## Standard equipment

Safety cab, spring-cushioned seat, heater with fresh air intake, defroster, windscreen wipers front and rear, external rearview mirrors, twin headlights front and twin working lights rear, parking lights, front working light, tail and brake lights, direction indicators, flashing warning lamps, horn, sun visor, engine hour recorder, fuel gauge, electric cigarette lighter, ashtray, storage tray, socket for inspection lamp, socket for trailer, alternator, warning lamp for parking brake, automatic differential lock, compressor e.g. for tyre pumping, dry air filter with indicator, bucket indicator, safety start device.

## Optionals

Snap-on attachment bracket with mechanical or hydraulic locking, adapter for complete range of attachments, tubing for 3rd hydraulic function, tubing and change-over valve for 4th hydraulic function, rotating flashing beacon, industrial towing hook, electric engine heater, outlet for trailer brake, tyre pumping unit, safety belt, grill guard for headlights, heavy duty tyres, wraparound windscreen with tinted glass.

Specifications and design are subject to alteration without prior notice.



## BOLINDER-MUNKTELL

— a member of the Volvo Corporation,  
Eskilstuna, Sweden

Nr 2191/1 E

5. 12. 70