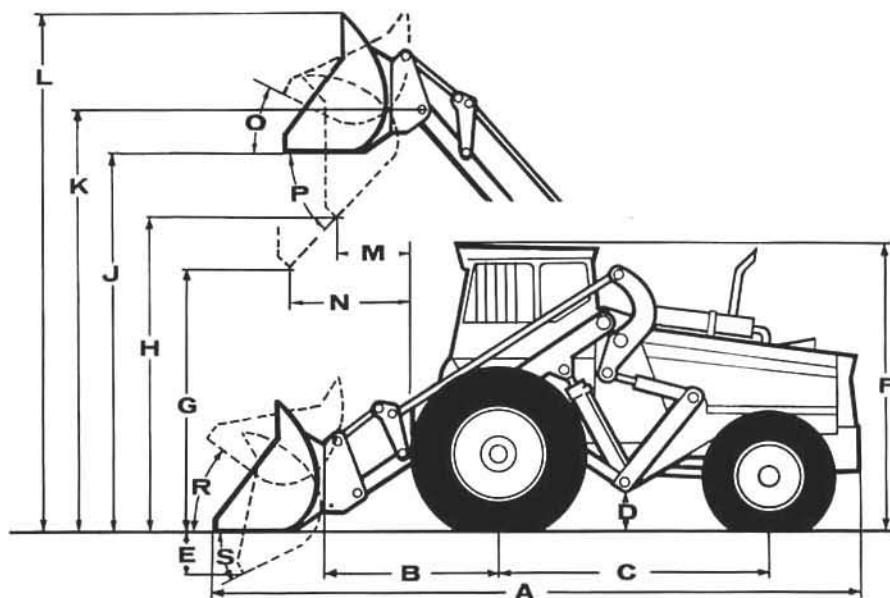




## BM-VOLVO LM 841

— a versatile, profitable, 112 hp loader



A	.....	18'10"	(5750 mm)
B	.....	4'11"	(1500 mm)
C	.....	8'1/4"	(2435 mm)
D	.....	15 3/8"	(390 mm)
E	.....	2' 1"	(640 mm)
F	.....	9'1/2"	(2760 mm)
G	.....	6' 7"	(2000 mm)
H	.....	10' 2"	(3100 mm)
J	.....	11'10"	(3600 mm)
K	.....	12'10"	(3900 mm)
L	.....	15' 1"	(4600 mm)
M	.....	3' 4"	(1000 mm)
N	.....	4' 7"	(1400 mm)
O	.....		40°
P	.....		48°
R	.....		45°
S	.....		43°



## SPECIFICATION LM 841

### General data

All-up weight with bucket	21,800 lb (9,870 kg)
Wheelbase	8 ft 1/4 in (2,435 m)
Track front/rear	6 ft 3 in/6 ft 1 in (1,90/1,85 m)
Turning Radius	18 ft 4 in (5,6 m)
Tyres front	18.4—34/14
rear	14.9—24/12

### Engine

6 cyl. 4 stroke diesel with direct injection	VOLVO D 50 B
Max. rating at 2.400 rpm. SAE	112 hp
Max. torque at 1.700 rpm SAE	257 lbft (35,5 kpm)

### Transmission

Torque converter and power-shift gearbox. Dual speed ranges total 4 speeds forward and reverse. Differential lock

### Speeds

I Forward and reverse	0—2,8 mph (0—6,1 km/h)
II Forward and reverse	0—6,3 mph (0—10,1 km/h)
III Forward and reverse	0—10,1 mph (0—16,3 km/h)
IV Forward and reverse	0—16,5 mph (0—26,5 km/h)

### Loader Data\*

Tipping load SAE at 4 ft 7 1/8 in (1,4 m) reach from tyres and 7 ft 4 in (2,23 m) from wheel hub centre	9,500 lb (4,300 kg)
Carrying capacity SAE	8,800 lb (4,000 kg)
Bucket capacity	1,7—5,2 cu yd (1,3—4,0 m <sup>3</sup> )
Reach at 6 ft 7 in (2 m) height	4 ft 7 in (1,4 m)
Max lifting height under dumped bucket	10 ft 2 in (3,1 m)
Load over height	12 ft 8 in (3,9 m)

\* These figures are based on rear tyres without calcium chloride solution.

### Hydraulics

Pump capacity	48 Imp.gall (220 l/min)
Working pressure	1420 lb/in <sup>2</sup> (100 kp/cm <sup>2</sup> )

### Standard Equipment

Comfortable safety cab  
Spring-cushioned seat  
Rubber cab mat  
Electric windscreen wipers on upper and lower windcreens  
Interior rearview mirror  
Fresh air ventilation and heater  
Twin headlamps front, twin working lights rear

Parking lights  
Direction indicators  
Position lights  
Flashing warning lights  
Brake lights  
Rear flashing light when reversing  
Cab light  
Horn  
Sun vizor  
Engine hour recorder  
Full instrumentation — electric gauges for engine lub. oil pressure, coolant temperature, transmission temperature and pressure.  
700 W Alternator  
Parking brake indicator light  
Snap-on attachment bracket — mechanical locking  
Pipe set for 3rd hydraulic function  
Dry air filter with pressure drop indicator and pre cleaner  
Neutral start ignition switch  
Front safety grill

### Optional Equipment

4th hydraulic function with valve and piping set.  
UWE engine heater inc. blowlamp.  
Block heater 1000 W electrical  
Rotating flashing beacon  
Steering brakes  
Safety belt  
Separate working light  
Snap-on attachment — hydraulic locking  
Industrial towing hook  
Belly guards  
Complete hydraulic piping set for trailer tipping.

The manufacturers reserve the right to change specifications without notice.



**BOLINDER-MUNKTELL**

— a member of the Volvo corporation  
Eskilstuna, Sweden

Nr 2259 AE