

BM-VOLVO LM 840

**- a versatile, profitable,
110 hp loader**



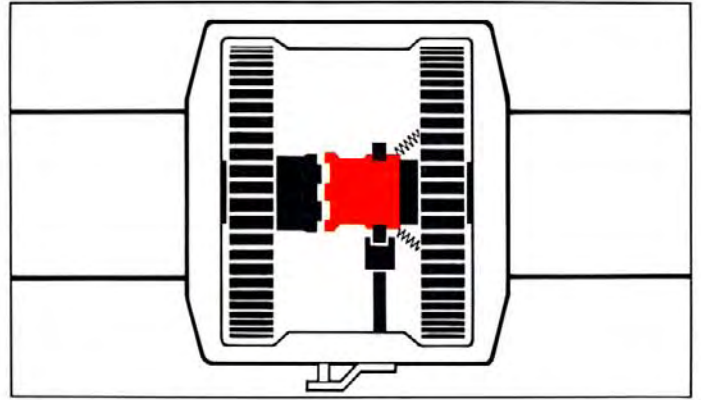
A powerful machine of unbeatable versatility by one of the world's biggest manufacturers of wheeled loaders

The BM-VOLVO LM 840 is a versatile and highly efficient 110 hp loader. Unique penetration, effective bucket filling, generous reach and lifting height are among the powerful arguments that result in fast cycling and distinctively high output.

The BM-VOLVO LM 840 has very large front wheels to ensure maximum ground contact and flotation just where the major weight of the loaded machine is borne. In consequence, traction is distributed in the optimum way for full utilisation of power resources.

The BM-VOLVO LM 840 is a unit in the BM-VOLVO LM System — a system comprising loaders from 69 hp to 110 hp and over 70 attachments to broaden loader usefulness and ensure that the right tool is used for every job.





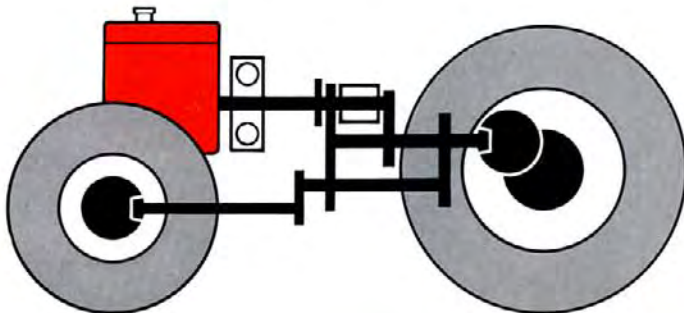
Never daunted
A sturdy differential lock unites the front wheels to keep the machine moving even under the worst conditions, where many other machines might become bogged.

4-wheel drive, terrific traction, keep-moving-ability

Balanced transmission

The BM-VOLVO LM 840 is equipped with a torque converter and Power-Shift gearbox: a system providing automatic, stepless torque multiplication as resistance grows. This insures effective penetration and bucket filling in hard materials. Gear shifting is pedal-free and a single lever covers all forward and reverse speeds within each of the two ranges (work and transport).

When the transport range is engaged the machine switches automatically to 2-wheel drive.



The remarkably high penetration force of the LM 840 assists effective bucket filling. In combination with the large wheels and ideal weight distribution (= low ground pressure) and balanced transmission (= stepless torque multiplication, plus differential-lock feature) the result is a high-output machine that maintains performance even under adverse conditions.



On loose or slippery surfaces the specific ground pressure and contact area are vital factors in the machine's ability to keep moving. The LM 840 fully satisfies these conditions and, despite its weight, can carry on in places where many machines would experience difficulty in working.

Generous reach

The excellent forward reach means that the LM 840 can fill its bucket without riding over the loose material being handled and reducing tyre wear to a minimum. During dumping the driver can concentrate on placing the load, since good reach and high lift reduce the risk of collision with vehicle sides. Moreover, it is easier to load railway wagons when access is possible only from one side.

Generous reach is an advantage in many other situations, as well. When loading a lorry, say, with palletized goods the LM 840 can place the load on the far side of the platform, whereas a fork-lift truck must often work from both sides. Thus the loader travels a far shorter total distance and therefore completes the job much more quickly.



The LM 840 loads fast. This is due to excellent bucket filling, quick manoeuvring assisted by the tight turning radius, and simplified load distribution as a result of long reach.

The LM 840 is well suited to the stacking of palletized goods and sawn timber, thanks to the combination of good reach and generous lifting height. The machine can stretch high over the growing stack, which provides a support when placing the final pallet or package.



Generous lifting height

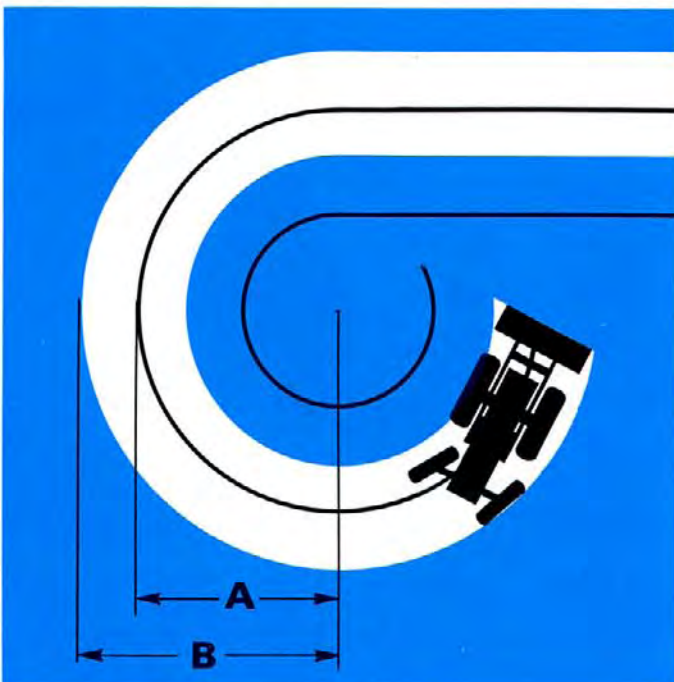
The LM 840 has a unique ability in sawwood and pulpwood handling as a result of its good performance over poor ground. The wide range of attachments includes carefully tested tools for every type of handling method. In this work, too, generous reach and lifting height are important when loading timber haulage vehicles.





Good visibility, comfort, safety

The design and location of the cab ensure that the driver has full control of the attachment in every position. The design of the bonnet leaves a clear view to the rear. The conveniently placed levers and other controls are made for untiring, natural movement. Heating and ventilation are high-class. The side and rear windows can be opened and there is a safety hatch in the roof. The comfortable, adjustable operator's seat has parallel-linkage suspension and hydraulic shock absorber. Comfort is further enhanced by rubber suspension which fully isolates the cab from the frame.



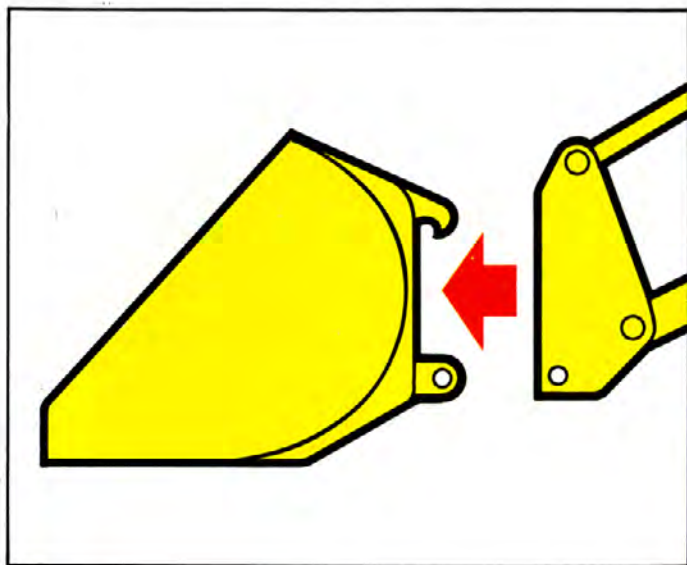
Tight turning radius

The wide lock angle of the steering wheels results in a tight turning radius — only 18 ft (5.5 m) — and thus faster work cycles and higher output. The tight turning radius also improves performance in confined spaces. Despite its small turning radius, however, the BM-VOLVO LM 840 has a long wheelbase which assists stability and safe operation.

- A Turning radius with steering brakes approx. 11.5 ft (3.5 m).
- B Turning radius without steering brakes 18 ft (5.5 m).

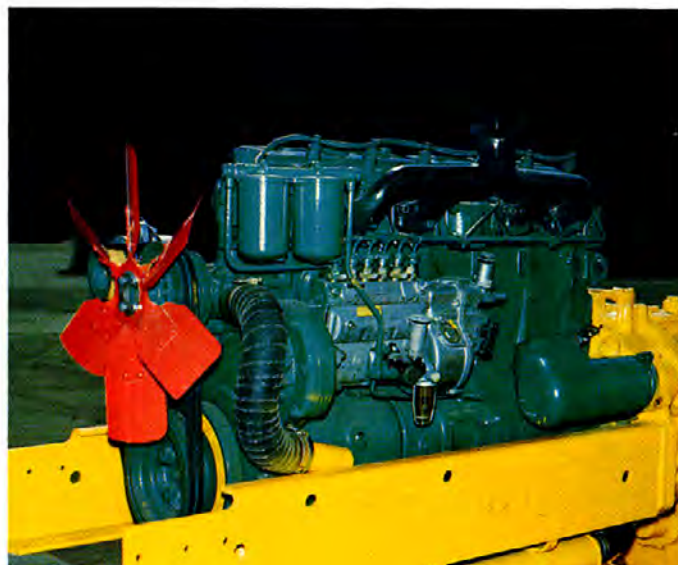
A real all-rounder Snap-on coupling

The snap-on coupling in conjunction with the systematically planned range of attachments is the basis of the machine's versatility. Attachments can be switched in less than a minute. The BM-VOLVO LM 840 is thus more than just a loader: it can handle transportation, excavation, cranework, bulldozing and snow clearance, plus a host of other jobs that guarantee full use the year round. Furthermore, the wide range of buckets ensures that you can always choose the bucket best suited to the density and nature of the material to be handled. Consequently the LM 840 can often achieve outputs that would normally be expected only from larger, more expensive machines.



Dependable, direct-injection VOLVO diesel

The BM-VOLVO LM 840 is powered by a 110 hp 6-cylinder, direct-injection VOLVO diesel with proven long life, low fuel consumption and dependability. The design of the combustion chamber, recessed in the piston crown, results in optimum combustion of the fuel-air mixture and assists in achieving the high performance and clean exhaust that are distinctive features of VOLVO diesels. The low engine noise adds to operator comfort and renders the machine suitable for work in built-up areas.



SPECIFICATION LM 840

General data

All-up weight, with bucket 21,100 lb. (9,600 kg)
Wheelbase 8 ft. (2.43 m)
Track, front/rear 6 ft 3 in/6 ft 1 in (1.90/1.85 m)
Turning radius 18 ft. (5.5 m)
Tyres, front 18.4—34/14
rear 14.9—24/10

Engine

6-cyl., 4-stroke diesel with direct injection VOLVO D 50A
Max. rating at 2,400 rpm 110 hp
SAE 110 hp
Max. torque at 1,500 rpm
SAE 261 lb-ft (36.1/31.4 kpm)

Transmission

Torque converter and Power-Shift gearbox. Dual speed ranges total of 4 speeds forward and reverse. Differential lock.

Speeds

I Forward and reverse 3.8 mph
(0—6.1 km/h)
II Forward and reverse 6.3 mph
(0—10.1 km/h)
III Forward and reverse 10.1 mph
(0—16.3 km/h)
IV Forward and reverse 16.5 mph
(0—26.5 km/h)

Loader data

Bucket capacity 1.7—5.2 cu.yd. (1.3—4.0 m³)
Reach at 6 ft 7 in (2 m) height 4 ft 7 in (1.4 m)
Max. lifting height under
dumped bucket 10 ft 2 in (3.1 m)
Load over height 12 ft 4 in (3.7 m)

Hydraulics

Pump capacity 48 Imp.gall (220 l/min)
Working pressure 1,350 lb/in² (95 kg/cm²)

Brakes

Disc type, hydraulically operated. Parking brake.

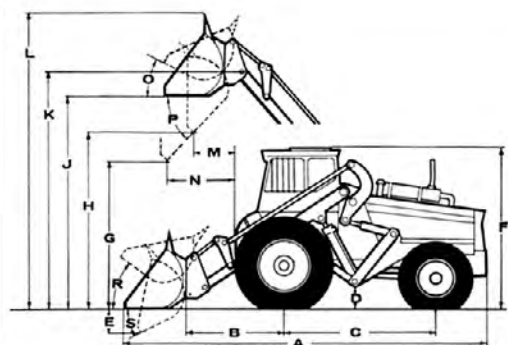
Standard equipment

Comfortable safety cab
Rubber cab mat
Interior rearview mirrors
Engine-hour meter, fuel gauge
460 W alternator
Three-function hydraulic system, inc. piping set and controls
Directional indicator lights
Electric windscreen wipers on upper and lower windcreens
Fresh air ventilation and heater
Hydrostatic steering
Twin headlamps front and rear
Rear lights
Parking lights
Electric plug for trailer
Horn
Rear flashing lights when reversing
Sun vizor
Towing hitch

Optional equipment

4th hydraulic function, with piping set
Control lever for 4th hydraulic function (separate)
Complete hydraulic piping set for trailer tipping
UWE engine heater inc. blowlamp
Engine preheater 1,000W elec.
Rotating flasher light
Pre-cleaner
Steering brakes
Safety belt

The manufacturers reserve the right to change specifications without notice



A	18'10"	(5750 mm)	K	12'9"	(3900 mm)
B	4'11"	(1500 mm)	L	15'	(4600 mm)
C	8'	(2430 mm)	M	3'4"	(1000 mm)
D	15"	(385 mm)	N	4'7"	(1400 mm)
E	2'1"	(640 mm)	O		40°
F	8'10"	(2700 mm)	P		48°
G	6'6"	(2000 mm)	R		45°
H	10'	(3100 mm)	S		43°
J	11'9"	(3600 mm)			



BM-VOLVO LM 840

— a versatile, profitable loader with many special features

- | | |
|--|--|
| <input type="checkbox"/> Powerful, 4-wheel drive, 110 hp loader with generous traction and penetration power. | <input type="checkbox"/> Generous lifting height permits loading high-sided vehicles and high pallet stacking. |
| <input type="checkbox"/> A true all-rounder: numerous attachments and snap-on coupling ensure full utilisation the year round. | <input type="checkbox"/> Low-pressure hydraulic system for long life and dependability. |
| <input type="checkbox"/> Very large front wheels mean low ground pressure, high flotation. | <input type="checkbox"/> Tight turning radius shortens work cycles and improves performance in confined places. |
| <input type="checkbox"/> Dependable, economical Volvo diesel features direct injection, clean exhaust, low noise. | <input type="checkbox"/> Excellent operator comfort: comfortable cab with all-round visibility, excellent heating, ventilation and insulation. |
| <input type="checkbox"/> Power-Shift gearbox in balanced transmission system. | <input type="checkbox"/> Many extras included in the basic price. |
| <input type="checkbox"/> Excellent forward reach ensures complete loading from one side | <input type="checkbox"/> Easy access for inspection and service. |



BOLINDER-MUNKTELL

— Member of the Volvo Group —
Eskilstuna, Sweden