

BM·VOLVO **LM 218**



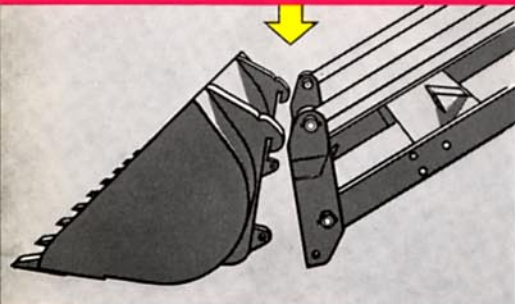
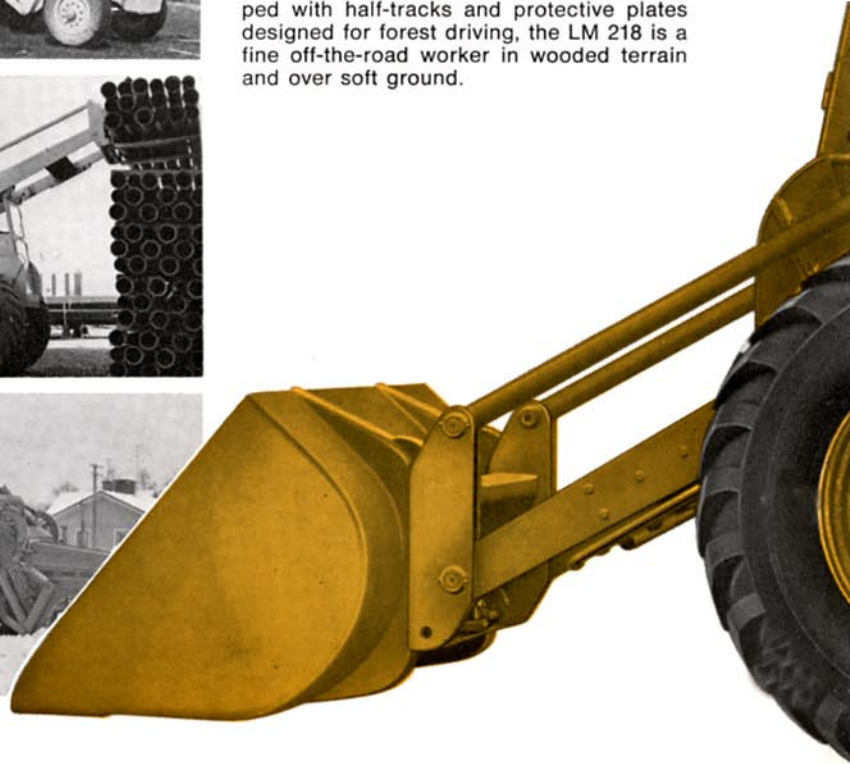
THE LARGE-CAPACITY LOADER



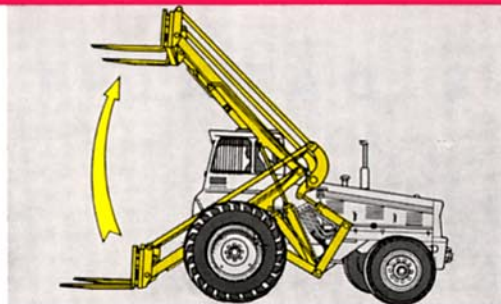
whatever the job...



The LM 218 loader is built to toil untiringly under the most widely varying conditions. More than 50 different units are included in the implement range, which covers practically every conceivable application. Equipped with half-tracks and protective plates designed for forest driving, the LM 218 is a fine off-the-road worker in wooded terrain and over soft ground.



● **Time-saving speed coupling** on implement attachment permits switching in minutes.



● **Parallel side arm linkage** automatically keeps implements in correct alignment throughout lifting movement.



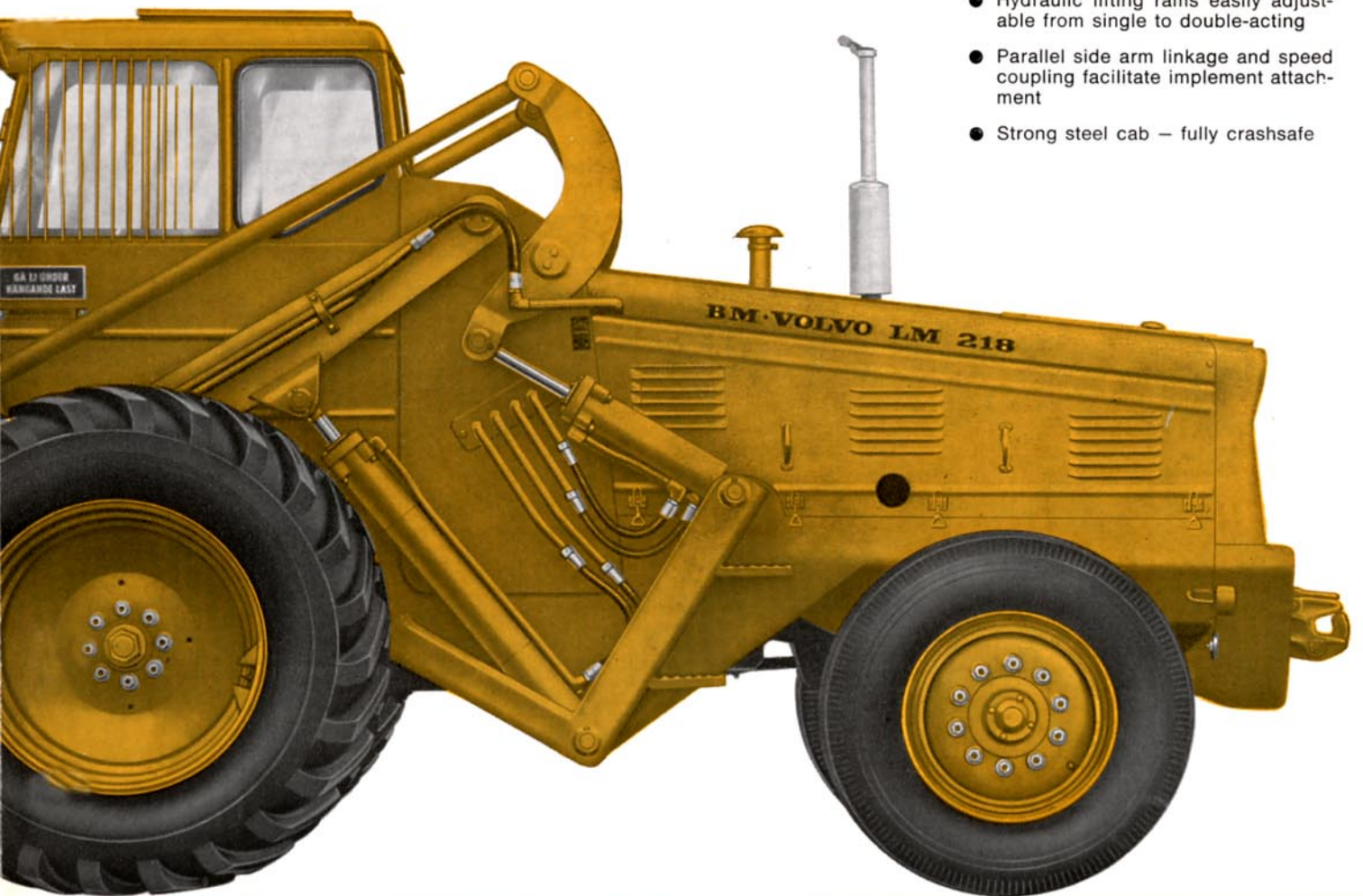
● **3-point loader attachment** eliminates transmission of harmful stresses to the chassis.

BM·VOLVO

LM 218

The LM 218 is a truly versatile loader with a low purchase price and demonstrably low running and maintenance costs. Capacity is impressive — an experienced driver can load more than 600 cu.m. (800 cu.yd.) of gravel in an 8-hour working day. Gearbox with forward-reverse gear, power-assisted steering, favourable weight distribution and tight turning circle are some of the reasons for this loader's superior manoeuvrability and nimbleness in confined quarters. Large-diameter driving wheels give a good grip, even on troublesome surfaces. The LM 218 can be supplied with either a heavy-duty 13" dry-plate clutch or with a Twin-Disc hydraulic transmission combined with a dry-plate clutch, this latter version being designated the LM 218 TD.

- Bucket capacities, SAE $\frac{3}{4}$ — $2\frac{3}{4}$ cu.yd. (0.6—2.1 m³)
- Lift height — 11 ft. 6 in. (3.5 m.)
- Max. engine power — 60 h.p. SAE
- 5 forward and 5 reverse speeds
- Hydraulic power-assisted steering
- Effective hydraulic system for loading unit
- Hydraulic lifting rams easily adjustable from single to double-acting
- Parallel side arm linkage and speed coupling facilitate implement attachment
- Strong steel cab — fully crashsafe



● **Turning circle radius** is only 5 metres (16 ft.) and can be even further reduced by using steering brakes.

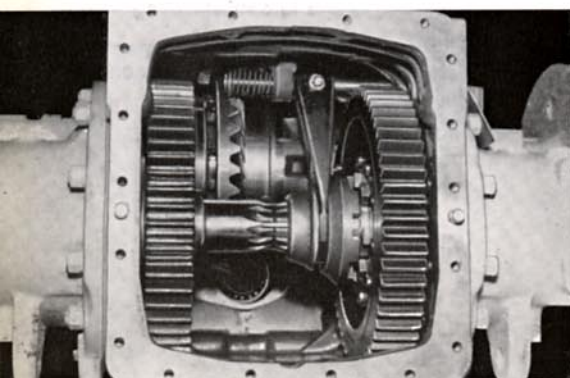


● **Steering axle**, of heavy-duty design, is of pivoting type and permits a difference in height between wheels of 20 in.



● **Track width** is identical for steering and driving wheels, improves performance on loose surfaces.

BM·VOLVO LM 218



Effective hydraulic system

The LM 218 features an effective hydraulic system, working at low pressure — only 1,065 psi (75 Kg/sq.cm.). This ensures minimum wear and consequently long life and low maintenance costs. As a unit, the hydraulic system is amply dimensioned. It is based on a small number of easily replaceable standard components, which greatly reduces the cost of parts stocking.

Heavy-duty differential lock

A differential lock, lever-controlled from the driver's cab, is standard equipment on the LM 218. When engaged, both rear axle halves are united and differential action is thus eliminated. The differential lock greatly improves the efficiency of the loader when working on slippery surfaces.



Good driver comfort

The strong steel cab provides good comfort and security for the driver. All levers, pedals and other controls are placed within easy reach, and visibility is excellent in all directions. A roof hatch above the driver's seat and an opening rear window ensure that the driver can escape under all circumstances. Opening the cab door automatically locks the loader controls.

SPECIFICATION

Dimensions and weight

Total weight w. bucket	lb. (kg)	12600 (5700 TD 13000 (5900))
Wheelbase	ft. in. (m)	7' 6" (2.3 TD 7' 9" (2.4))
Track front/rear	ft. in. (m)	5' 8"/5' 7" (1.74/1.70)
Turning radius	ft. in. (m)	16' 5" (5.0)
Tyres, front		14-30/10
Tyres, rear		9-20/10

Engine

Rating, SAE/rpm	60/1800
DIN/rpm	56/1800
No. of cyl.	3
Max. torque SAE/DIN	ft.lb. (kgm) 182/177 (25.2/24.5)

Clutch

LM 218: Single dry-plate clutch, 13" outer diam.
LM 218 TD: Hydraulic clutch + single dry-plate clutch as above

Transmission

5 speeds forward, m.p.h. (k.p.h.) at 1800 r.p.m. 2.3-16.2 (3.6-26)
5 reverse speeds, m.p.h. (k.p.h.) at 1800 r.p.m. 1.7-12.4 (2.8-20)
Differential lock, manually operated.

Brakes

Foot brake, steering brakes, parking brake.

Loader assy

Tipping load, SAE	lb. (kg)	5300 (2400 TD 6000 (2700))
Load capacity (bucket 12 in. (30 cm) above ground)	lb. (kg)	5500 (2500 TD 6200 (2800))
Bucket cap., SAE	cu.yd. (m ³)	2 3/4 - 2 3/4 (0.6-2.1)
Maximum reach at 79 in. (2 m) height	ft. in. (m)	4' 4" (1.33)
Max. dump clearance under tipped bucket	ft. in. (m)	10' (3.08)

Hydraulic system

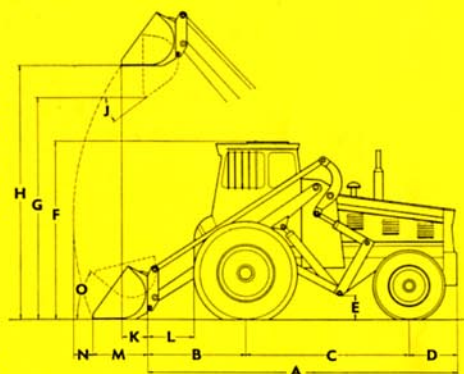
Cap. of hydraulic pump	Imp.gpm. (l/m)	28 (130)
Working pressure of hydr. system	psi (kg/cm ²)	1070 (75)

Standard equipment

Cab, direction indicators, electric windscreen wiper, rubber mat, electric engine-hour meter, twin headlamps at front and rear, tail lights, parking lights, hydraulic power steering and valve chest with third control valve, fresh-air heater and engine preheater.

Extra equipment

Implements, industrial towing hook, fourth control valve with third line assembly.



Dimensions

A LM 218 ..	4375 mm	G	3080 mm
(LM 218 TD)	4605 "	H	3500 "
B	1390 "	J	35°
C LM 218 ..	2300 "	K	450 mm
(LM 218 TD)	2400 "	L	660 "
D LM 218 ..	680 "	M	750 "
(LM 218 TD)	815 "	N	480 "
E	350 "	O	40°
F	2540 "		

The manufacturers reserve the right to charge specifications without notice.



BOLINDER-MUNKTELL

— a member of the Volvo Group
Eskilstuna, Sweden

Nr. 2048/2 E

Enbart för spridning utomlands