

EL751 With tyres 11,5/80x15,3.  
EL851 With tyres 10,5-18 KmGrip.

mm	A	B	C	D	F	G	H	I	J	K	L	M	N	O	P	R1	R2
EL751	2881	2266	210	90	766	4239	1595	1800	785	272	1267	2530	1490	1200	1600	3774	3380
EL851	3173	2509	232	100	674	4541	1754	1900	850	308	1302	2566	1570	1300	1725	4086	3632

(@) Options

.....EL751 .....EL851

#### OPERATING MASS:

- Canopy model: .....3185 kg .....3690
- Cab model .....3380 kg .....3885

#### ENGINE:

- Type: .....Mitsubishi S4L2 .....Perkins 104-22
- .....4 cylinders .....4 cylinders
- Net engine power .....34HP 25KW-2500rpm .....42,7HP 31,4KW-2300rpm
- Maxi torque: .....107mN .....136,9mN
- at (rpm): .....1600 .....2044

#### TRANSMISSION :

- Hydrostatic, 4 wheel drive on 2 rigid axles.
- Forward/ reverse travel speeds:
- (Small): .....0 à 7 km/h .....0 à 6 km/h
- (Large): .....0 à 18 km/h .....0 à 20 km/h (\*)
- .....(\*) With tyres 12,5-18
- Rear differential: .....Self-locking (@) .....Self-locking
- Front differential: .....Self-locking .....Self-locking
- Standard tyres size: .....11,5/80x15,3 .....10,5-18 KmGrip
- (@) tyres size: .....12-16,5 .....12-18-T86
- (@) tyres size: .....12,5-18 E91-2
- (@) tyres size: .....15,5/55-R18
- Service brake: by disc acting on the 4 wheels.(operated by 'Inching'pedal)
- Parking brake: by disc (operated by mechanical control)
- Tractive force: .....2200daN .....2830daN

#### STEERING

- Hydrostatic,with independant gears pump.
- Central link: .....+ 38° / - 38° .....+ 38° / - 38°

#### HYDRAULIC SYSTEM:

- Working pressure: .....240bar .....240bar
- Flow: .....35 L/mn .....39 L/mn

#### ELECTRICAL SYSTEM:

- Battery: .....12V-63AH/425A .....12V-63AH/425A
- Starting motor: .....2,2 KW .....2,2 KW

.....EL751 .....EL851

#### LOADER EQUIPMENT SPECIFICATIONS (with cab):

- Digging force: .....3100 daN .....3520 daN
- Tear-out force: .....3250 daN .....3800 daN
- Loads (in line/ articulated 38°) in Kg - 'without additional counterweight':
- With standard bucket: .....(in line/ articulated) .....(in line/ articulated)
- Δ- Tipping load: .....2180 / 1910 .....2580 / 2280
- ◊- Nominal lifting load (= 50% Δ): .....1090 / 955 .....1290/ 1140
- With handling forks: .....(in line/ articulated) .....(in line/ articulated)
- Δ- Tipping load: .....1607 / 1406 .....1932 / 1720
- ◊- Charge utile nominale (= 80% Δ): .....1262 / 1125 .....1546 / 1376

#### Loads (in line/ articulated 38°) in Kg - 'with additional counterweight':

- With standard bucket: .....(in line/ articulated) .....(in line/ articulated)
- Δ- Tipping load: .....2340 / 2046 .....2740 / 2420
- ◊- Nominal lifting load (= 50% Δ): .....1170 / 1023 .....1370 / 1210
- With handling forks: .....(in line/ articulated) .....(in line/ articulated)
- Δ- Tipping load: .....1724 / 1507 .....2048 / 1813
- ◊- Nominal lifting load (= 80% Δ): .....1380 / 1206 .....1638 / 1450

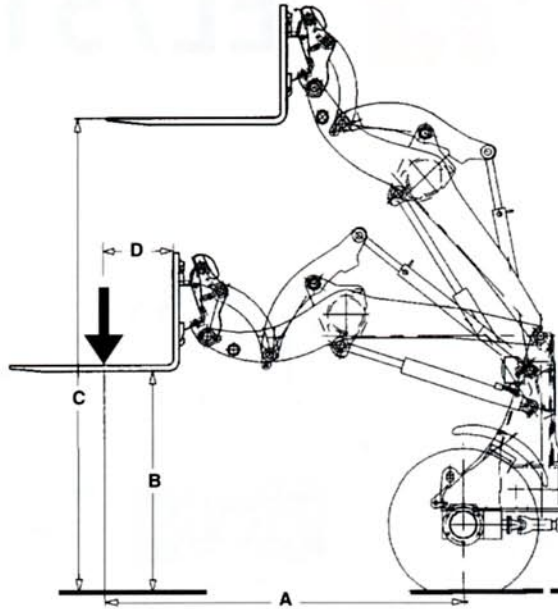
#### ACCESSORIES:

- Hydraulic snap action: .....Standard .....Standard
- Std bucket (with/without teeth): .....0,450 m3 .....0,600 m3
- Width: .....1600mm .....1725mm
- Light material bucket: .....x .....x
- Width: .....1600mm .....1725mm
- 4 in 1 multipurpose bucket: .....0,450 m3 .....0,500 m3
- Width: .....1600mm .....1725mm
- Pallet fork attachment: .....x .....x
- Fork and grapple: .....x .....x
- Bale spike .....x .....x
- Snow plough blade .....x .....x
- Sweeper .....x .....x
- Backhoe (canopy version): .....x .....x
- Buckets capacity: .....0.037-0.09 m3 .....0.037-0.09 m3
- Snap action (mechanical control): .....(@) .....(@)
- Arm 1500mm .....(@) .....(@)

#### SOUND PROOFING

- .....Cab/Canopy .....Cab/Canopy
- Acoustic power LwA:
- Static measurement D.86/662CEE: .....102/102,4 dB(A) .....99,8/100,3 dB(A)
- Dynamic measurement D.89/514CEE: .....102,1/101,7 dB(A)
- Acoustic pressure level: LpA .....85/85 dB(A) .....85/85 dB(A)

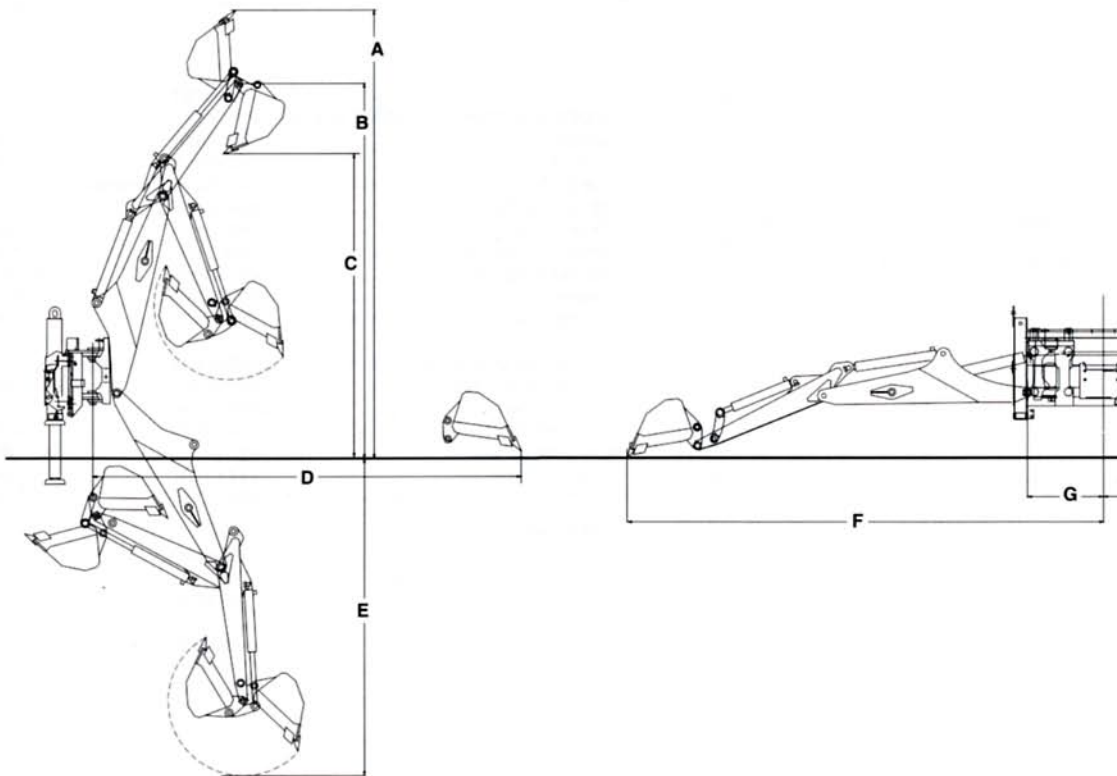
**PALLET FORK ATTACHMENT SPECIFICATIONS (OPTION)**



EL.751 With tyres 11,5/80x15,3.  
 EL.851 With tyres 10,5-18 KmGrip.

mm	A	B	C	D
EL.751	2147	1298	2712	500
EL.851	2216	1342	3002	500

**SHOVEL EQUIPMENT SPECIFICATIONS (CANOPY VERSION) - OPTION  
 EL.751 & EL.851.**



EL.751 With tyres 11,5/80x15,3.

mm	A	B	C	D	E	F	G
	3893	3243	2611	3778	2890	4236	670

E5400365/GB -10/95 -M4

**Pel-Job**   
 GROUPE PEL-JOB

ECOMAT INDUSTRIE Avenue Charles DE GAULLE - BP.119 - 01303 BELLEY Cedex - FRANCE

Tél : 79 81 15 09 - Fax : 79 81 39 63 - Telex 980366

**Machine designed and  
 manufactured in France**

In accordance with its established  
 policy of constant improvement  
**PEL-JOB** reserves the right to  
 amend this specifications without  
 notice.