

VOLVO SKID STEER LOADER

MC90

- (64 kW) 86 hp 4-cylinder diesel engine
- (907 kg) 2,000 lb operating capacity
- (3281 kg) 7,233 lb operating weight
- Superior breakout force and axle torque
- Powerful (68 lpm) 17.9 gpm hydraulic pump to run optional attachments
- Optional (104 lpm) 27.6 gpm hydraulic pump for high flow attachments
- Forward tilting ROPS/FOPS cab allows quick and easy access to engine/drive train
- Swing out rear door, hinged engine cover, lift out floor panel
- Welded unitized frame, modular axles, corrosion-resistant lift-arm and tilt pins
- Adjustable drive chains
- Lubed-for-life universal joint for efficient engine-to-transmission power transfer
- Extra wide operator compartment
- Easy entrance and exit
- Easy-to-read gauge/warning light panel
- Conventional hand and foot controls standard; optional hands only controls
- Quick-Attach system for most attachments

The MC90 in detail

Engine

Make/ModelPerkins 1004.42
 Cylinders4
 Fuel typeDiesel
 Displacement(4,2 l) 258 cu in
 Cooling systemLiquid cooled
 Horsepower
 Gross @ 2400 rpm . . . (64 kW) 86 hp
 Peak torque(300 Nm) 221 ft-lb
 @ 1400 rpm
 Bore(103 mm) 4.1 in
 Stroke(127 mm) 5.0 in
 Speeds:
 Fast, no load (max.)2,450 rpm
 Rated2,400 rpm
 Idle, no load (min.)1,150 rpm

Electrical system

Alternator55 amp
 Battery950 CCA
 System protection . . . 40 amp circuit breaker
 Starter(2,8 kW) 12V

Drivetrain

Type (pumps)(46 cc/rev) 2.8 in³/rev
 displacement
 Type (motors)(494 cc/rev) 30 in³/rev
 displacement

Axle torque(6684 Nm) 4,930 ft-lb
 Axle diameter(4,8 cm) 1.9 in
 Chain size80 HV
 Parking brakespin lock

Hydraulic system

Lift Cylinders
 Bore(7,0 cm) 2.8 in
 Stroke(80,6 cm) 31.8 in
 Rod size(4,1 cm) 1.6 in
 Tilt Cylinders
 Bore(7,6 cm) 3.0 in
 Stroke(45,4cm) 17.9 in
 Rod size(3,8 cm) 1.5 in
 Pump flow @ rated rpm(68 lpm)
 17.9 gpm
 High pump flow @ rated rpm(164 lpm)
 27.6 gpm
 Relief pressure (max.)(18615 kpa)
 2,700 psi

Service fill capacities

Cooling system(15,5 l) 4.1 gal
 Engine crankcase (with filter)(10,4 l)
 11 qt
 Fuel tank(85 l) 22.5 gal
 Hydraulic system(64 l) 16.9 gal
 Chain case(8,7 l) 2.3 gal

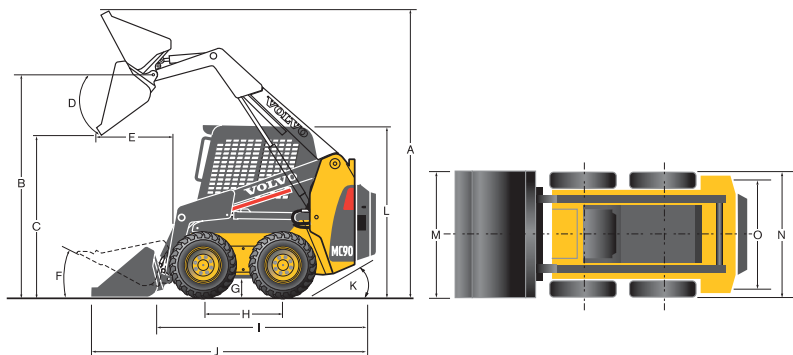
Performance

Rated operating capacity(907 kg)
 2,000 lb
 Tipping capacity(1814 kg) 4,000 lb
 Approx. operating
 weight (SAE)(3281 kg) 7,233 lb
 Travel speed(0-10,5 km/h) 0-6.5 mph
 Cycle times:
 Lift raising time5.4 sec
 Lift lowering time3.6 sec
 Tilt dumping time3.4 sec
 Tilt rollback time2.7 sec

SAE Rated equipment:
 Full fuel tank
 (75 kg) 165 lb operator
 (1829 mm) 72" dirt bucket
 12.00 x 16.5 – 10-ply HD tires



Specifications



- A. Overall operating height
(with dirt bucket [1829 mm] 72") (3978 mm) 156.6"
- B. Height to hinge pin (3075 mm) 121.1"
- C. Dump height (2394 mm) 94.3"
- D. Dump angle 37°
- E. Dump reach (625 mm) 24.6"
- F. Maximum roll back 28°
- G. Ground clearance (188 mm) 7.4"
- H. Wheelbase (1070 mm) 42.1"
- I. Overall length (less bucket) (2746 mm) 108.1"
- J. Overall length (with dirt bucket) (3479 mm) 137.0"
- K. Angle of departure 26°
- L. Overall height (2058 mm) 81.0"
- M. Bucket width (1829 mm) 72.0"
- N. Over tire width (less bucket)
12.00 x 16.5 tires (1826 mm) 71.9"
- O. Tread width (1515 mm) 59.6"

MC90

Data According to Bucket Type		72" Dirt Bucket	72" Landscape Bucket	72" Landscape Bucket w/Teeth	80" Dirt Bucket	80" Landscape Bucket	80" Landscape Bucket w/Teeth
Width	cm	183	183	183	203	203	203
	in	72	72	72	80	80	80
SAE Heaped cap	m ³	0,494	0,55	0,55	0,56	0,61	0,61
	ft ³	17.5	19.3	19.3	19.7	21.7	21.7
SAE Struck cap	m ³	0,378	0,41	0,41	0,42	0,46	0,46
	ft ³	13.4	14.5	14.5	15	16.1	16.1
Weight	kg	221	228	244	233	244	262
	lb	486	503	538	514	538	578

STANDARD EQUIPMENT

Engine

Dual element air cleaner
(2,8 kW) 12 Volt starter
55 amp alternator
Quick cycle engine preheat

Electrical

12 Volt 950 CCA battery
Engine start/stop key switch
Fuel gauge
Hourmeter
Two front and one rear work light
Battery shut-off switch
Warning system:

Air filter restriction, alternator, hydraulic filter restriction, hydraulic oil temperature
Warning light with audible alarm:
Engine water temperature, engine oil pressure and hydraulic oil temperature

Transmission

Two servo-controlled variable displacement piston pumps mounted in tandem
Two fixed displacement high torque motors

Hydraulic

Lift-arm mounted auxiliary hydraulics with standard flat face couplers (ISO 16028)
10 micron hydraulic oil filter

Safety

Lift-arm support strut
Electric lift and tilt hydraulic lockouts
Back-up alarm
Mechanical park lock
Emergency exit rear window
Horn
Rear and top door props

Cab

Adjustable seat with 2" retractable seat belt
Operator restraint bar
Dual travel/steering levers
Tilt forward ROPS/FOPS cab
12 Volt outlet

Other

Lockable doors and covers
Quick-Attach mounting frame
Lockable fuel cap

OPTIONAL EQUIPMENT

Engine

Engine air intake precleaner
Engine block heater (600 watt)
Catalytic muffler
Spark arresting muffler

Cab

Top window
Hand only controls
3" retractable seat belt

Hydraulic

Hydraulic reservoir heater (450 watt)
High flow hydraulics
Hydraulic self level (lift only)

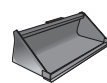
Electrical

Rotating beacon light

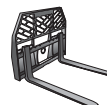
Tires

33.00 x 15.5 x 16.5 – 12-ply super wide flotation tire
8.00 x 16 non-pneumatic solid tire
12.00 x 16.5 – 10-ply heavy duty tire (rated)

ATTACHMENTS



Buckets



Pallet forks



Tracks

For details on the full range of Volvo attachments, please contact your local Volvo dealer.

All products are not available in all markets. Under our policy of continuous improvement, we reserve the right to change specifications and designs without prior notice. The illustrations do not necessarily show the standard version of the machine.

VOLVO

Volvo Construction Equipment
North America, Inc.

One Volvo Drive, Asheville, NC 28803-3447
www.volvoce.com

Ref. No. 22 1 000 9800 English
Printed in USA 05/03 – 5,0 GMC
Volvo, Asheville