

VOLVO SKID STEER LOADER

MC60

- (36,9 kW) **49.5 hp**
4-cylinder diesel engine
- (612 kg) **1,350 lb** rated
operating capacity
- (2485 kg) **5,478 lb**
operating weight
- Superior breakout force
and axle torque
- Powerful (63 lpm) **16.6 gpm**
hydraulic pump to run optional
attachments
- High hinge pin height to reach
over walls and truck side boards
- Forward tilting ROPS/FOPS cab
allows quick and easy access to
engine/drive train
- Swing out rear door, hinged engine
cover, lift out floor panel
- Welded unitized frame, modular
axles, corrosion-resistant lift-arm
and tilt pins
- Adjustable drive chains
- Lubed-for-life universal joint for
efficient engine-to-transmission
power transfer
- Extra wide operator compartment
- Easy entrance and exit
- Easy-to-read gauge/warning
light panel
- Conventional hand and foot
controls standard; optional
hands only controls
- Quick-Attach system for
most attachments

The MC60 in detail

Engine

Make/ModelKubota V2203-B
Cylinders4
Fuel typeDiesel
Displacement(2,2 l) 134 cu in
Cooling systemLiquid cooled
Horsepower	
Gross @ 2800 rpm	..(36,9kW) 49.5 hp
Peak torque(151 Nm) 112 ft-lb @ 1,600 rpm
Bore(87 mm) 3.43 in
Stroke(92,4 mm) 3.64 in
Speeds:	
Fast, no load (max.)3,000 rpm
Rated2,800 rpm
Idle, no load (min.)1,100 rpm

Electrical system

Alternator45 amp
Battery660 CCA
System protection40 amp circuit breaker
Starter(2,0 kW) 12V

Drivetrain

Type (pumps) (41cc/rev) 2.5 in³/rev displacement
--------------	--

Type (motors)(490 cc/rev) 30 in³/rev displacement
Axle torque (6079 Nm) 4,484 ft-lb
Axle diameter(4,8 cm) 1.9 in
Chain size 80 HV
Parking brakesPin lock

Hydraulic system

Lift Cylinders	
Bore (5,7 cm) 2.3 in
Stroke (75,3 cm) 29.7 in
Rod size(3,5 cm) 1.4 in
Tilt Cylinders	
Bore (7,0 cm) 2.8 in
Stroke (33,3 cm) 13.1 in
Rod size(3,2 cm) 1.3 in
Pump flow @ rated rpm(63 lpm) 16.6 gpm
Relief pressure (max.)	(17241 kpa) 2,500 psi

Service fill capacities

Cooling system (15,1 l) 4 gal
Engine crankcase (with filter)	..(8,5 l) 9 qt
Fuel tank(66 l) 17.4 gal
Hydraulic system(36 l) 9.5 gal
Chain case(5,7 l) 1.5 gal

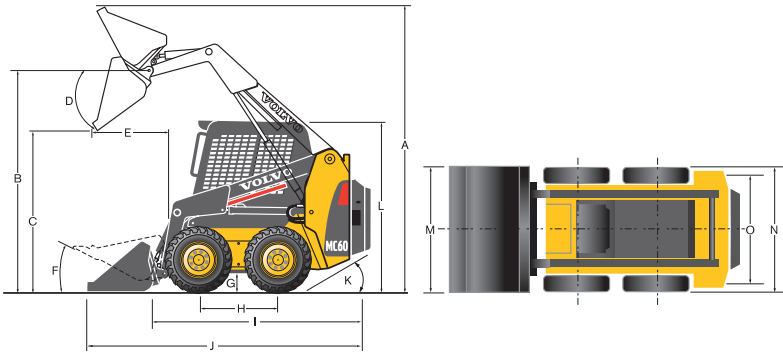
Performance

Rated operating capacity (612 kg) 1,350 lb
Tipping capacity (1224 kg) 2,700 lb
Approx. operating weight (SAE) (2485 kg) 5,478 lb
Travel speed	... (0-10,3 km/h) 0-6.4 mph
Cycle times:	
Lift raising time3.9 sec
Lift lowering time2.6 sec
Tilt dumping time2.7 sec
Tilt rollback time2.3 sec

SAE Rated equipment:

Full fuel tank	(75 kg) 165 lb operator
(1524 mm) 60" dirt bucket	
10.00 x 16.5 – 8-ply HD tires	

Specifications



MC60

- A. Overall operating height
(with dirt bucket [1524 mm] 60") ... (3805 mm) **149.8"**
- B. Height to hinge pin ... (2895 mm) **114.0"**
- C. Dump height ... (2180 mm) **85.8"**
- D. Dump angle ... **37°**
- E. Dump reach ... (635 mm) **25.0"**
- F. Roll back angle ... **28°**
- G. Ground clearance ... (209 mm) **8.2"**
- H. Wheelbase ... (933 mm) **36.7"**
- I. Overall length (less bucket) ... (2590 mm) **102.0"**
- J. Overall length (with dirt bucket) ... (3322 mm) **130.8"**
- K. Angle of departure ... **21°**
- L. Overall height ... (1979 mm) **77.9"**
- M. Bucket width ... (1524 mm) **60.0"**
- N. Over tire width (less bucket)
10.00 x 16.5 tires ... (1506 mm) **59.3"**
- O. Tread width ... (1252 mm) **49.3"**

Data According to Bucket Type		60" Dirt Bucket	60" Landscape Bucket	60" Landscape Bucket w/Teeth	66" Dirt Bucket	66" Landscape Bucket	66" Landscape Bucket w/Teeth
Width	cm	152	152	152	168	168	168
	in	60	60	60	66	66	66
SAE Heaped cap	m ³	0,43	0,44	0,44	0,47	0,488	0,488
	ft ³	15.3	15.5	15.5	16.8	17.25	17.25
SAE Struck cap	m ³	0,32	0,33	0,33	0,35	0,366	0,366
	ft ³	11.2	11.7	11.7	12.35	12.95	12.95
Weight	kg	192	197	211	204	209	225
	lb	423	434	464	449	460	495

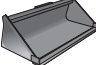
STANDARD EQUIPMENT

<p>Engine</p> <p>Dual element air cleaner (2,0 kW) 12 Volt starter 45 amp alternator Quick cycle engine preheat</p> <p>Electrical</p> <p>12 Volt 660 CCA battery Engine start/stop key switch Fuel gauge Hourmeter Two front and one rear work light Battery shut-off switch Warning system: Air filter restriction, alternator, hydraulic filter restriction, hydraulic oil temperature Warning light with audible alarm: Engine water temperature, engine oil pressure and hydraulic oil temperature</p>	<p>Transmission</p> <p>Two variable displacement piston pumps mounted in tandem Two fixed displacement high torque motors</p> <p>Hydraulic</p> <p>Lift-arm mounted auxiliary hydraulics with standard flat face couplers (ISO 16028) 10 micron hydraulic oil filter</p> <p>Safety</p> <p>Lift-arm support strut Electric lift and tilt hydraulic lockouts Back-up alarm Mechanical park lock Emergency exit rear window Horn Rear and top door props</p>	<p>Cab</p> <p>Adjustable seat with 2" retractable seat belt Operator restraint bar Dual travel/steering levers Tilt forward ROPS/FOPS cab 12 Volt outlet</p> <p>Other</p> <p>Lockable doors and covers Quick-Attach mounting frame Lockable fuel cap</p>
---	---	--


OPTIONAL EQUIPMENT

<p>Engine</p> <p>Engine air intake precleaner Engine block heater (400 watt) Spark arresting muffler Catalytic muffler</p> <p>Cab</p> <p>Top window Noise suppression kit Hand only controls 3" retractable seat belt</p>	<p>Hydraulic</p> <p>Hydraulic reservoir heater (450 watt) Hydraulic self level (lift only)</p> <p>Electrical</p> <p>Rotating beacon light</p> <p>Tires</p> <p>10.00 x 16.5 – 8-ply heavy duty tire (rated) 31.00 x 15.5 x 15 – 8-ply super flotation tire 7.00 x 15 non-pneumatic solid tire</p>
---	---


ATTACHMENTS



Buckets



Tracks



Pallet forks

For details on the full range of Volvo attachments, please contact your local Volvo dealer.

All products are not available in all markets. Under our policy of continuous improvement, we reserve the right to change specifications and designs without prior notice. The illustrations do not necessarily show the standard version of the machine.



**Volvo Construction Equipment
North America, Inc.**

One Volvo Drive, Asheville, NC 28803-3447
www.volvoce.com

Ref. No. 22 1 000 9797 English
Printed in USA 05/03 – 5,0 GMC
Volvo, Asheville