

VOLVO SKID STEER LOADER

MC110

- (64 kW) 86 hp 4-cylinder diesel engine
- (1043 kg) 2,300 lb operating capacity
- (3472 kg) 7,654 lb operating weight
- Superior breakout force and axle torque
- Powerful (77 lpm) 20.3 gpm hydraulic pump for fast cycle times, more power to run optional attachments
- Optional (104 lpm) 27.6 gpm hydraulic pump for high flow attachments
- Forward tilting ROPS/FOPS cab allows quick and easy access to engine/drive train
- Swing out rear door, hinged engine cover, lift out floor panel
- Welded unitized frame, modular axles, corrosion-resistant lift-arm and tilt pins
- Adjustable drive chains
- Lubed-for-life universal joint for efficient engine-to-transmission power transfer
- Extra wide operator compartment
- Easy entrance and exit
- Easy-to-read gauge/warning light panel
- Conventional hand and foot controls standard; optional hands only controls
- Quick-Attach system for most attachments

The MC110 in detail

Engine

Make/ModelPerkins 1004.42
 Cylinders4
 Fuel typeDiesel
 Displacement(4,2 l) 258 cu in
 Cooling systemLiquid cooled
 Horsepower
 Gross @ 2400 rpm . . . (64 kW) 86 hp
 Peak torque(300 Nm) 221 ft-lb @ 1,400 rpm
 Bore(103 mm) 4.1 in
 Stroke(127 mm) 5.0 in
 Speeds:
 Fast, no load (max.)2,450 rpm
 Rated2,400 rpm
 Idle, no load (min.)1,100 rpm

Electrical system

Alternator55 amp
 Battery950 CCA
 System protection40 amp circuit breaker
 Starter(2,8 kW) 12V

Drivetrain

Type (pumps)(46 cc/rev) 2.8 in³/rev displacement
 Type (motors)(803 cc/rev) 49 in³/rev displacement

Axle torque(8569 Nm) 6,320 ft-lb
 Axle diameter(6,1 cm) 2.4 in
 Chain size100 HV
 Parking brakespin lock

Hydraulic system

Lift Cylinders
 Bore(7,0 cm) 2.8 in
 Stroke(80,6 cm) 31.8 in
 Rod size(4,1 cm) 1.6 in
 Tilt Cylinders
 Bore(7,6 cm) 3.0 in
 Stroke(45,4 cm) 17.9 in
 Rod size(3,8 cm) 1.5 in
 Pump flow @ rated rpm(77 lpm) 20.3 gpm
 High pump flow @ rated rpm(104 lpm) 27.6 gpm
 Relief pressure (max.)(18615 kpa) 2,700 psi

Service fill capacities

Cooling system(15,5 l) 4.1 gal
 Engine crankcase (with filter)(10,4 l) 11 qt
 Fuel tank(85 l) 22.5 gal
 Hydraulic system(64 l) 16.9 gal
 Chain case(8,7 l) 2.3 gal

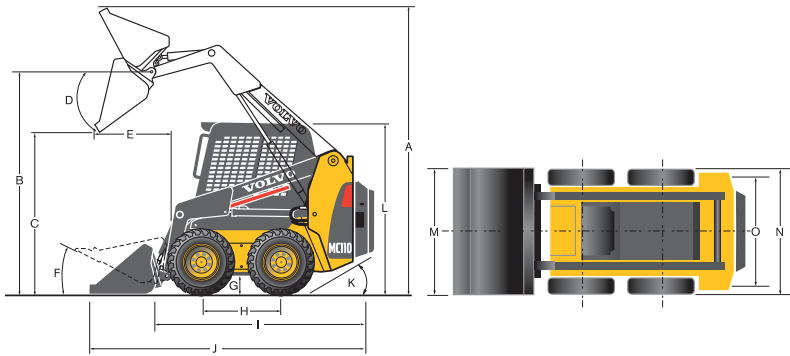
Performance

Rated operating capacity(1043 kg) 2,300 lb
 Tipping capacity(2086 kg) 4,600 lb
 Approx. operating weight (SAE)*(3472 kg) 7,654 lb
 Travel speed(0-9,6 km/h) 0-6.0 mph
 Cycle times:
 Lift raising time4.8 sec
 Lift lowering time3.0 sec
 Tilt dumping time3.0 sec
 Tilt rollback time2.3 sec

SAE Rated equipment
 Full fuel tank
 (75 kg) 165 lb operator
 (1829 mm) 72" dirt bucket
 12.00 x 16.5 – 10-ply HD tires



Specifications



- A. Overall operating height
(with dirt bucket [1829 mm] 72") (3978 mm) 156.6"
- B. Height to hinge pin (3075 mm) 121.1"
- C. Dump height (2394 mm) 94.3"
- D. Dump angle 37°
- E. Dump reach (625 mm) 24.6"
- F. Maximum roll back 28°
- G. Ground clearance (188 mm) 7.4"
- H. Wheelbase (1112 mm) 43.8"
- I. Overall length (less bucket) (2821 mm) 111.1"
- J. Overall length (with dirt bucket) (3550 mm) 139.8"
- K. Angle of departure 26°
- L. Overall height (2058 mm) 81.0"
- M. Bucket width (1829 mm) 72.0"
- N. Over tire width (less bucket)
12.00 x 16.5 tires (1826 mm) 71.9"
- O. Tread width (1515 mm) 59.6"

MC110

Data According to Bucket Type		72" Dirt Bucket	72" Landscape Bucket	72" Landscape Bucket w/Teeth	80" Dirt Bucket	80" Landscape Bucket	80" Landscape Bucket w/Teeth
Width	cm	183	183	183	203	203	203
	in	72	72	72	80	80	80
SAE Heaped cap	m ³	0,494	0,55	0,55	0,56	0,61	0,61
	ft ³	17.5	19.3	19.3	19.7	21.7	21.7
SAE Struck cap	m ³	0,378	0,41	0,41	0,42	0,46	0,46
	ft ³	13.4	14.5	14.5	15	16.1	16.1
Weight	kg	221	228	244	233	244	263
	lb	486	503	538	514	538	578

STANDARD EQUIPMENT

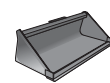
<p>Engine</p> <p>Dual element air cleaner (2,8 kW) 12 Volt starter 55 amp alternator Quick cycle engine preheat</p> <p>Electrical</p> <p>12 Volt 950 CCA battery Engine start/stop key switch Fuel gauge Hourmeter Two front and one rear work light Battery shut-off switch Warning system: Air filter restriction, alternator, hydraulic filter restriction, hydraulic oil temperature Warning light with audible alarm: Engine water temperature, engine oil pressure and hydraulic oil temperature</p>	<p>Transmission</p> <p>Two servo-controlled variable displacement piston pumps mounted in tandem Two fixed displacement high torque motors</p> <p>Hydraulic</p> <p>Lift-arm mounted auxiliary hydraulics with standard flat face couplers (ISO 16028) 10 micron hydraulic oil filter</p> <p>Safety</p> <p>Lift-arm support strut Electric lift and tilt hydraulic lockouts Back-up alarm Mechanical park lock Emergency exit rear window Horn Rear and top door props</p>	<p>Cab</p> <p>Adjustable seat with 2" retractable seat belt Operator restraint bar Dual travel/steering levers Tilt forward ROPS/FOPS cab 12 Volt outlet</p> <p>Other</p> <p>Lockable doors and covers Quick-Attach mounting frame Lockable fuel cap</p>
--	--	--

OPTIONAL EQUIPMENT

<p>Engine</p> <p>Engine air intake precleaner Engine block heater (600 watt) Catalytic muffler Spark arresting muffler</p> <p>Cab</p> <p>Top window Hand only controls 3" retractable seat belt</p>

<p>Hydraulic</p> <p>Hydraulic reservoir heater (450 watt) Hydraulic self level (lift only) High flow hydraulics</p> <p>Electrical</p> <p>Rotating beacon light</p> <p>Tires</p> <p>12.00 x 16.5 – 10-ply heavy duty tire (rated) 33.00 x 15.5 x 16.5 – 12-ply super wide flotation tire 8.00 x 16 non-pneumatic solid tire</p>

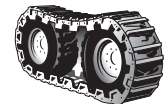
ATTACHMENTS



Buckets



Pallet forks



Tracks

For details on the full range of Volvo attachments, please contact your local Volvo dealer.

All products are not available in all markets. Under our policy of continuous improvement, we reserve the right to change specifications and designs without prior notice. The illustrations do not necessarily show the standard version of the machine.



**Volvo Construction Equipment
North America, Inc.**

One Volvo Drive, Asheville, NC 28803-3447
www.volvoce.com

Ref. No. 22 1 000 9801 English
Printed in USA 05/03 – 5,0 GMC
Volvo, Asheville