

VOLVO SKID STEER LOADERS

MC60B, MC70B, MC80B, MC90B, MC110B



MORE CARE. BUILT IN.



LOADS OF COMFORTABLE PRODUCTION.

Get a load of the Volvo Skid Steer Loader – and get comfortable with doing more. Joining Volvo’s compact global range, with Compact Wheel Loaders, Compact Excavators and Backhoe Loaders, Volvo Skid Steer Loaders deliver production, serviceability and safety – surrounded in all-day comfort.

The comfortable way to work

You’re going to get more work done in a machine that is comfortable. That’s because you stay alert, fresh and focused. And to make sure the last hour of your shift is as comfortable as the first, Volvo Skid Steer Loaders are full of comfort features, inside and out, top to bottom. At the core of the frame, the isolation-mounted cab reduces vibration and noise during operation. Inside the cab, enjoy spacious ergonomics with plenty of shoulder, hip and legroom to make any sized operator feel at ease. And for peace-of-mind, the large top window made from durable tempered glass offers clear visibility above the cab.

You’re in charge. Take the controls.

When it comes to controlling machine operation, you’ve got options. Choose mechanical or pilot controls – depending on your preference or the job at hand. The optional hydraulic pilot controls operate steering and drive functions with the left lever and loader functions with the right. Mechanical controls offer a direct feel for the machine, as each hand controls its respective machine side. Comfortable steering control levers are positioned perfectly to minimize arm movement and reduce fatigue. And depending on the control option you choose, enjoy greater convenience and precision with hand, or hand and foot throttle control.

The seat of comfort

When you work 8-10 hour shifts, you have an appreciation for comfortable seats. That’s why Volvo gives you a choice of two seat options to fit operators and jobs of all types. Choose from a deluxe high-back seat with adjustable backrest or a suspension seat with weight adjustment. It doesn’t stop there – you also get an ergonomic armrest that is integrated in the seat bar.

Get a quick gauge on performance

Stay on top of your machine’s performance and maintenance with large, easy-to-read instruments located directly within your field of vision. With no obstruction of view, you get a quick gauge on all the key instruments, including fuel, hour meter, engine coolant temperature, engine oil pressure, hydraulic oil pressure and engine preheat. It’s production, made comfortable.



- Large, durable top window.



- Two comfortable seat options.



- Integrated comfortable armrest/seat bar.



- Customizable, low-effort controls.
- Ergonomic comfort mechanical controls.
- Spacious cab – well-placed instruments.



BUILT TO PERFORM. BUILT TO LAST.

Skid steers need to be versatile. And because you put them through a lot each day, you need durability and performance you can count on. You found it. Volvo Skid Steer Loaders load it up and move on to the next job – day after day, year after year. It's what you need. It's what you get.

Outlast the competition

When it comes to greater profits, it's all about getting more done with less cost and less time. That means Volvo performance and reliability. Volvo Skid Steer Loaders bring it every day, with the durability you need for the toughest jobs and the performance to keep you ahead of the competition.

Peak performance – every day

Stay at the top of your performance with the latest generation of Volvo engines. Perfectly matched, Volvo Skid Steer Loaders feature powerful liquid-cooled, 16-valve Volvo engines. They deliver brute power – yet are quiet, efficient and meet Tier III environmental standards. And to really get more done, unleash the power of your high-performance attachments with an optional high-flow system. You get the extra oil flow and hydraulic power you need for easy operation of profitable attachments.

Volvo protects your investment

Construction equipment is an investment and you need maximum availability to stay profitable. That's why Volvo keeps you protected with machines that are there for you. The lockable, steel rear door protects the engine compartment and other key components to reduce damage and risk of vandalism. And to avoid the dangers of today's jobsites, Volvo Skid Steer Loaders offer excellent 360° 3D visibility with large top, rear, side and front openings – to keep you earning and working safely.

Leave a lasting impression

Get long machine life with a huge dual-element air cleaner that delivers plenty of clean air to the engine. This enhances engine life, reduces maintenance and lengthens service intervals. And for long-lasting protection of the frame and arms, dual bolt-on lift-arm stops cushion the lift-arm when lowered all the way down. This eliminates noise and provides support when digging or pushing.

Heavy-duty durability

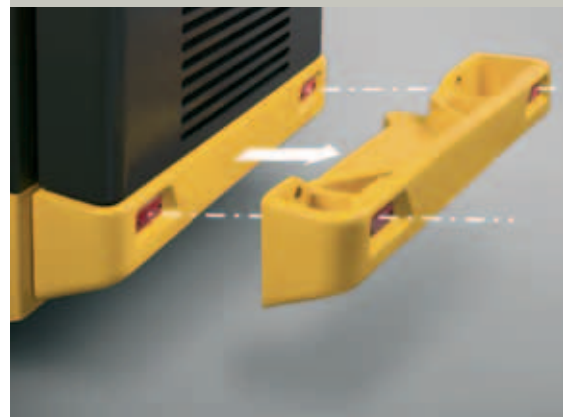
The base of Volvo's durability is the solid, one-piece steel mainframe – welded for strength and long life – to stand up to daily abuse. The sealed, heavy-duty cast iron axle housings feature lubricated-for-life bearings. And to absorb damage, the solid cast-iron rear bumper keeps you protected and improves resale value. It adds up to less maintenance and more uptime.



- Clean, efficient, powerful Tier III Volvo engine.



- Dual element air cleaner enhances life.



- Heavy-duty rear bumper takes the abuse.



- One-piece steel mainframe strength.
- Sealed heavy-duty iron axle housings.
- Superior 360° visibility on all sides.



YOUR ACCESS TO SAFE PRODUCTIVITY.

It's a Volvo priority to keep you, your jobsite, and our environment safe and protected. It's important and it means you can spend more time on the job and less time worrying about other things. So for maximum uptime, safety and production – welcome to the Volvo Skid Steer Loader.

Everything in access

With Volvo, we're accessible – so you can do the routine maintenance, service the problem and get back to work. Volvo Skid Steer Loaders are built for maximum uptime and quick serviceability. All service checks offer easy access. The cab tilts forward, supported by gas shocks and a safety lock, for complete access. The oil cooler swings away from the radiator for easy cleaning. Get at the engine compartment with the wide opening rear door that swings out a full 90° and the flip-up engine access cover. And if you ever need access to the chains and sprockets, the large removable drivechain cover plate gets you in and out quickly.

Safe and sound

Staying on the job – profitably – requires an acute attention to safety. That's why Volvo Skid Steer Loaders are ROPS/FOPS certified. Raising the seat bar/armrest disengages hydraulic circuits, locks all controls and activates the parking brake to prevent accidental movements. The retractable seatbelt automatically adjusts to keep you safely planted in the seat. When it's time to check the coolant expansion tank, enjoy the safety of a translucent, at-a-glance level check. And to reduce the risk of injury, the engine fan guard keeps debris out and the operator safe.

At your service - on the job

All machines require service and upkeep. Stay on top of maintenance with a highly visible instrument panel that provides visual and audible warnings of critical machine functions. One such warning is the air filter restriction indicator, which visually alerts you when service is required. You stay informed and avoid unnecessary maintenance. For extra protection and convenience, the fuel separator and filters are mounted next to the cooling pack, easily accessible through the engine door. And for quick inspection during routine maintenance, the at-a-glance hydraulic sight gauge and interior, no-tool fuse panel keep you working longer and more efficiently.

Do not disturb

A noisy machine isn't just a jobsite disturbance, it can add to operator fatigue. Volvo Skid Steer Loaders cabs are isolation mounted in all four corners of the frame – for reduced vibration and noise. After an 8-hour shift, you'll hear and feel the Volvo difference (and so will those around you).



- Safe and easy cab entry/exit.



- Swing-out oil cooler makes cleaning easy.



- ROPS/FOPS cab tilts for fast access.



- Raise the seat bar to lock all controls.
- Safe, comfortable retractable seat belt.
- Easy engine/filters service access.



GET ATTACHED TO GREATER PROFITS.

For functional solutions that take your productivity in new directions, the answer is Volvo attachments. With Volvo's universal quick-attach, you have the ability to tackle a wide range of jobs with speed and ease. Dig, grab, trench, rake and move more on your way to greater profits.

The most versatile worker on the site

Compact, yet powerful, Volvo Skid Steer Loaders are one of the most versatile machines on the jobsite. At the front of it all is the wide range of productive attachments. Sometimes the job calls for hauling earth, cutting trenches or digging postholes. Other times you need to move palletized material or break concrete. With Volvo attachments, you're ready for every job – with one machine: your Volvo Skid Steer Loader.

The quick way to go

The Volvo universal quick-attach helps you get more done – faster. By letting you use most attachments available today, you can maximize use of your existing attachments or those on the jobsite. The flat-face hydraulic couplers make connections easy and secure.

A bucket for every occasion

Buckets are not one-size-fits-all. That's why Volvo offers different bucket options for the ideal fit. Each features a heavy-duty skid bar. High carbon bolt-on cutting edges provide superior edge life and durability. All buckets have three large steps for easy entry / exit to the machine while avoiding having to step in the bucket itself. Whether you need a long-lip landscape bucket for good visibility to the cutting edge and corners, or a short-lip dirt bucket for higher breakout force, Volvo has the bucket size and type to fit your needs. Choose from various dirt, light material and landscaping buckets. You can also add some teeth to your job with a toothbar for greater flexibility.

Always on track

When terrain conditions get rough, be ready with simple to install over-the-tire steel tracks. Adjustable track tension ensures long, durable life.

A new breakthrough

With the hydraulic hammer you've got the consistent impact energy you need to break through hard materials. It has simple service of tool and seals, and a broad hydraulic flow operating range for compatibility across machine sizes.

From pallet forks to power rakes

One set of Volvo pallet forks offers handling for all the skid steers in your fleet. You get strength to handle heavy loads and optimum visibility through the frame and guard. It doesn't end there. Volvo Skid Steer Loaders are compatible with many other attachments, including trenchers, grapple buckets, sweepers, augers, cold planers, pickup brooms and power rakes. You find the job, we'll provide the attachment.



- Break it up with the hydraulic hammer.



- A clean sweep for dust, dirt, debris and snow.



- Trencher cuts through the job with ease.



- The road to smooth operation.

SPECIFICATIONS - MC60B, MC70B

Engine	MC60B	MC70B
Model	Volvo D2.2D	VolvoD2D
Cylinders	4	4
Fuel type	Diesel	Diesel
Displacement	134 in ³ (2.2 l)	122 in ³ (2 l)
Aspiration	Natural	Turbocharged
Cooling system	Liquid cooled	Liquid cooled
Horsepower		
SAE Gross	48.8 hp (36.4 kW)	57.2 hp (42.7 kW)
SAE Net	45.4 hp (33.8 kW)	53.9 hp (40.2 kW)
Max. Gross torque	105 ft-lb (142 Nm) @ 1000 rpm	118 ft-lb (160 Nm) @ 2000 rpm
Max no load Speed	3210 rpm	3150 rpm
Rated Speed	3000 rpm	3000 rpm

Electrical system

Battery	12 V - 120 Ah / 660 CCA	12 V - 120 Ah / 660 CCA
Alternator	12 V - 55 A	12 V - 55 A
Starter	12 V - 2.3 kW	12 V - 2.3 kW

Drivetrain

Axle torque	3947 lb (5356 Nm)	3947 lb-ft (5356 Nm)
Axle diameter	1.9 in (48.26 mm)	1.9 in (48.26 mm)
Drive chain	80 HV - Heavy series	80 HV - Heavy series
Tires	10.00-16.5, 8-PR 60"	10.00-16.5, 8-PR 66"

Hydraulics system-Loader

Std hydraulic pump output flow @ rated rpm	18.1 US gal/min (68.6 l/min)	19.4 US gal/min (73.4 l/min)
High flow pump output @ rated rpm	-	30.3 US gal/min (114.6 l/min)
System pressure	2700 psi (186 bar)	2700 psi (186 bar)

Service capacities

Cooling system	2.2 US gal (8.3 l)	2.2 US gal (8.3 l)
Engine crankcase with filter, change	2.35 US gal (8.95 l)	2.35 US gal (8.95 l)
Hydraulic System - Total capacity	16.4 US gal (62 l)	16.4 US gal (62 l)
Hydraulic Reservoir Capacity	14.8 US gal (56 l)	14.8 US gal (56 l)
Fuel tank data	16.4 US gal (62 l)	16.4 US gal (62 l)

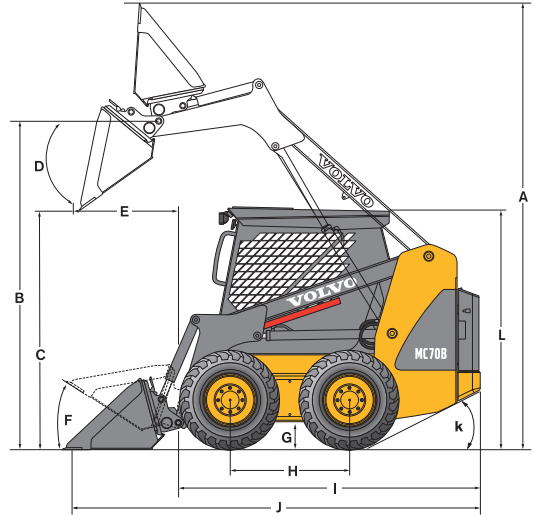
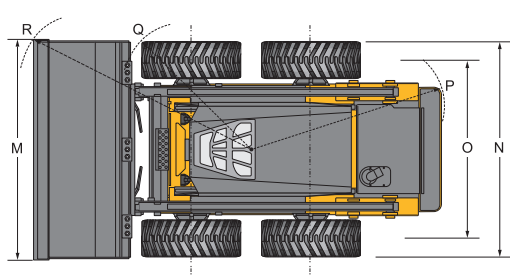
Performance

Rated operating capacity (SAE)	1400 lb (670 kg)	1500 lb (681 kg)
Tipping capacity (SAE)	2900 lb (1315 kg)	3000 lb (1361 kg)
Operating weight	5710 lb (2590 kg)	5803 lb (2632 kg)
Maximim travel speed	7.3 mph (11.7 km/h)	7.9 mph (12.7 km/h)
Breakout force, lift	2900 lbf (1290 daN)	3370 lbf (1499 daN)
Breakout force, curl	3840 lbf (1708 daN)	4070 lbf (1810 daN)

Cycle time:

Raise (Lifting)	2.7 seconds	2.5 seconds
Lower (Power down)	1.6 seconds	1.5 seconds
Dump (Tilt forward)	1.8 seconds	1.5 seconds
Curl (Tilt back)	1.6 seconds	1.4 seconds

Specifications are in accordance with SAE and ISO recommended practice. They are provided for machines with dirt bucket and tires specified in the drivetrain section of the data sheet. Rated operating capacity (SAEJ818) is equal to no more than 50% of tipping capacity.



- A Overall operating height
- B Height to hinge pin
- C Dump height
- D Dump angle
- E Dump reach
- F Roll back angle
- G Ground clearance
- H Wheelbase
- I Overall length (L/bucket)
- J Overall length (W/bucket)
- K Angle of departure
- L Overall height
- M Bucket width
- N Over tire width (L/bucket)
- O Tread width
- P Turning radius rear
- Q Turning radius front L/bucket
- R Turning radius front W/bucket

Model	A	B	C	D	E	F	G	H	I
MC60B	146.6" (3722 mm)	112.4" (2856 mm)	85.7" (2177 mm)	39.5°	23.5" (598 mm)	25°	6.8" (172 mm)	41.2" (1046 mm)	95.9" (2435 mm)
MC70B	146.6" (3722 mm)	112.4" (2856 mm)	85.7" (2177 mm)	39.5°	23.5" (598 mm)	25°	6.8" (172 mm)	41.2" (1046 mm)	95.9" (2435 mm)

Model	J	K	L	M	N	O	P	Q	R
MC60B	129.6" (3291 mm)	26°	77.1" (1958 mm)	68.0" (1727 mm)	59.8" (1518 mm)	49.1" (1247 mm)	63.4" (1610 mm)	49.5" (1257 mm)	76.9" (1954 mm)
MC70B	129.6" (3291 mm)	26°	77.1" (1958 mm)	68.0" (1727 mm)	65.3" (1658 mm)	54.6" (1386 mm)	63.4" (1610 mm)	49.5" (1257 mm)	76.9" (1954 mm)

Data with pallet fork (ISO 14397)	Tipping load	
	MC60B	MC70B
Center of gravity		
42" (1067 mm)	2044 lbs (927 kg)	2127 lbs (965 kg)
48" (1219 mm)	1871 lbs (849 kg)	2016 lbs (915 kg)

Data with pallet fork (ISO 14397)	Rated Operating Capacity	
	MC60B	MC70B
Center of gravity		
42" (1067 mm)	1022 lbs (464 kg)	1064 lbs (483 kg)
48" (1219 mm)	936 lbs (424 kg)	1008 lbs (457 kg)

Data According to Bucket Type	Bucket				
		Width	Weight	SAE Heaped cap	SAE Struck cap
MC60B MC70B	Dirt Bucket W/bolt-on edge	62" (1575 mm)	464 lbs (210.6 kg)	13.09 ft³ (0.37 m³)	9.2 ft³ (0.26 m³)
	Dirt Bucket W/bolt-on Adapters/teeth	62" (1575 mm)	441 lbs (200.2 kg)	12.54 ft³ (0.36 m³)	9.05 ft³ (0.26 m³)
	Landscape Bucket W/bolt-on edge	62" (1575 mm)	482 lbs (218.6 kg)	14.6 ft³ (0.41 m³)	10.27 ft³ (0.29 m³)
	Landscape Bucket W/bolt-on Adapters/teeth	62" (1575 mm)	459 lbs (208.2 kg)	14.05 ft³ (0.40 m³)	10.12 ft³ (0.29 m³)
	Dirt Bucket W/bolt-on edge	68" (1727 mm)	495 lbs (224.6 kg)	14.5 ft³ (0.41 m³)	10.12 ft³ (0.29 m³)
	Dirt Bucket W/bolt-on Adapters/teeth	68" (1727 mm)	473 lbs (214.3 kg)	14 ft³ (0.4 m³)	9.9 ft³ (0.28 m³)
	Landscape Bucket W/bolt-on edge	68" (1727 mm)	512 lbs (232.3 kg)	16.16 ft³ (0.46 m³)	10.31 ft³ (0.32 m³)
	Landscape Bucket W/bolt-on Adapters/teeth	68" (1727 mm)	490 lbs (222 kg)	15.65 ft³ (0.44 m³)	11.14 ft³ (0.32 m³)
MC70B	Dirt Bucket W/bolt-on edge	74" (1880 mm)	538 lbs (244.2 kg)	16.71 ft³ (0.47 m³)	11.8 ft³ (0.33 m³)
	Dirt Bucket W/bolt-on Adapters/teeth	74" (1880 mm)	510 lbs (231.4 kg)	16.1 ft³ (0.46 m³)	11.55 ft³ (0.33 m³)
	Landscape Bucket W/bolt-on edge	74" (1880 mm)	562 lbs (254.9 kg)	19 ft³ (0.54 m³)	13.3 ft³ (0.38 m³)
	Landscape Bucket W/bolt-on Adapters/teeth	74" (1880 mm)	534 lbs (242.1 kg)	18.42 ft³ (0.52 m³)	13.11 ft³ (0.37 m³)

SPECIFICATIONS - MC80B, MC90B, MC110B

Engine	MC80B	MC90B	MC110B
Model	Volvo D3.4D	Volvo D3.4D	Volvo D3.4D
Cylinders	4	4	4
Fuel type	Diesel	Diesel	Diesel
Displacement	202 in³ (3.3 l)	202 in³ (3.3 l)	202 in³ (3.3 l)
Aspiration	Natural	Turbocharged	Turbocharged
Cooling system	Liquid cooled	Liquid cooled	Liquid cooled
Horsepower			
SAE Gross	69.8 hp (52.1 kW)	85.6 hp (63.9 kW)	85.6 hp (63.9 kW)
SAE Net	67.7 hp (50.5 kW)	83.5 hp (62.3 kW)	83.5 hp (62.3 kW)
Max. Gross torque	172 ft-lb (234 Nm) @ 1200 rpm	213 ft-lb (289 Nm) @ 1850 rpm	213 ft-lb (289 Nm) @ 1850 rpm
Max no load Speed	2650 rpm	2650 rpm	2650 rpm
Rated Speed	2500 rpm	2500 rpm	2500 rpm

Electrical system

Battery	12 V - 120 Ah / 660 CCA	12 V - 120 Ah / 660 CCA	12 V - 120 Ah / 660 CCA
Alternator	12 V - 55 A	12 V - 55 A	12 V - 55 A
Starter	12 V - 3 kW	12 V - 3 kW	12 V - 3 kW

Drivetrain

Axle torque	3947 lb-ft (5356 Nm)	3947 lb-ft (5356 Nm)	4808 lb-ft (6524 Nm)
Axle diameter	1.9 in (48 mm)	1.9 in (48 mm)	2.4 in (61 mm)
Drive chain	80 HV - Heavy series	80 HV - Heavy series	100 HV - Heavy series
Tires	12.00-16.5, 10-PR	12.00-16.5, 12-PR	12.00-16.5, 12-PR

Hydraulics system-Loader

Std hydraulic pump output flow @ rated rpm	21.4 US gal/min (81 l/min)	21.4 US gal/min (81 l/min)	21.4 US gal/min (81 l/min)
High flow pump output @ rated rpm	-	28.5 US gal/min (108 lpm)	28.5 US gal/min (108 lpm)
System pressure	3000 psi (207 bar)	3000 psi (207 bar)	3000 psi (207 bar)

Service capacities

Cooling system	3.7 US gal (14 l)	3.7 US gal (14 l)	3.7 US gal (14 l)
Engine crankcase with filter, change	2.9 US gal (10.95 l)	2.9 US gal (10.95 l)	2.9 US gal (10.95 l)
Fuel tank	20.6 US gal (78 l)	20.6 US gal (78 l)	24.5 US gal (93 l)
Hydraulic System - Total capacity	22.9 US gal (87 l)	22.9 US gal (87 l)	25.4 US gal (96 l)
Hydraulic Reservoir Capacity	18.7 US gal (71 l)	18.7 US gal (71 l)	21.9 US gal (83 l)

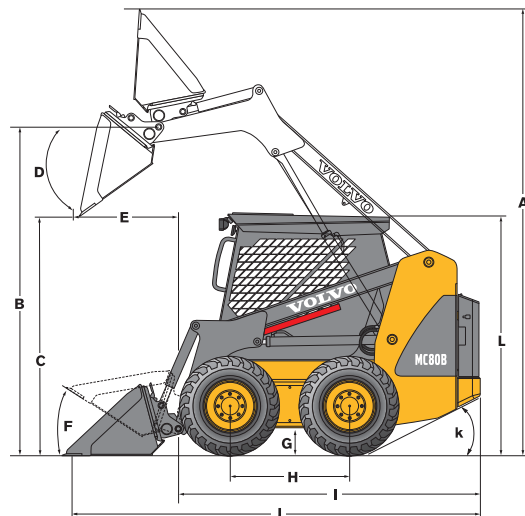
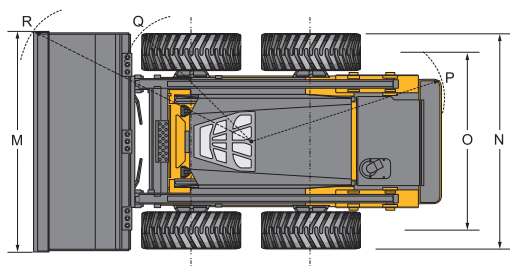
Performance

Rated operating capacity (SAE)	1850 lb (839 kg)	2000 lb (907 kg)	2400 lb (1088 kg)
Tipping capacity (SAE)	4000 lb (1814 kg)	4030 lb (1828 kg)	4800 lb (2177 kg)
Operating weight (SAE)	6826 lb (3096 kg)	6986 lb (3169 kg)	7491 lbs (3398 kg)
Maximum travel speed	7.1 mph (11.4 km/h)	7.1 mph (11.4 km/h)	7.1 mph (11.4 km/h)
Breakout force, lift	3970 lbf (1766 daN)	4120 lbf (1833 daN)	5880 lbf (2615 daN)
Breakout force, curl	5400 lbf (2402 daN)	5400 lbf (2402 daN)	5575 lbf (2480 daN)

Cycle time:

Raise (Lifting)	2.9 seconds	2.9 seconds	3.5 seconds
Lower (Power down)	1.5 seconds	1.5 seconds	2.1 seconds
Dump (Tilt forward)	2.1 seconds	2.1 seconds	2.3 seconds
Curl (Tilt back)	1.5 seconds	1.5 seconds	1.8 seconds


Specifications are in accordance with SAE and ISO recommended practice. They are provided for machines with dirt bucket and tires specified in the drivetrain section of the data sheet. Rated operating capacity (SAEJ1818) is equal to no more than 50% of tipping capacity.

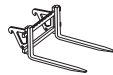


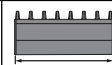

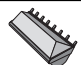
- A Overall operating height
- B Height to hinge pin
- C Dump height
- D Dump angle
- E Dump reach
- F Roll back angle
- G Ground clearance
- H Wheelbase
- I Overall length (L/bucket)
- J Overall length (W/bucket)
- K Angle of departure
- L Overall height
- M Bucket width
- N Over tire width (L/bucket)
- O Tread width
- P Turning radius rear
- Q Turning radius front L/bucket
- R Turning radius front W/bucket

Model	A	B	C	D	E	F	G	H	I
MC80B	156.4" (3972 mm)	119.7" (3039 mm)	90.2" (2290 mm)	40°	21.9" (555 mm)	29°	7.7" (195 mm)	44.3" (1124 mm)	101.8" (2585 mm)
MC90B	156.6" (3979 mm)	119.9" (3046 mm)	90.4" (2297 mm)	40°	21.9" (555 mm)	29°	8.0" (202 mm)	44.3" (1124 mm)	101.8" (2585 mm)
MC110B	156.4" (3973 mm)	119.7" (3041 mm)	90.3" (2293 mm)	40°	21.7" (550 mm)	29°	7.7" (196 mm)	48.8" (1240 mm)	103.6" (2632 mm)

Model	J	K	L	M	N	O	P	Q	R
MC80B	137.8" (3499 mm)	28°	79.9" (2028 mm)	74" (1880 mm)	72.3" (1838 mm)	59.7" (1517 mm)	66.3" (1464 mm)	54.1" (1375 mm)	82.9" (2104 mm)
MC90B	137.8" (3499 mm)	28°	80.1" (2035 mm)	74" (1880 mm)	72.3" (1838 mm)	59.7" (1517 mm)	66.3" (1428 mm)	54.1" (1375 mm)	82.9" (2104 mm)
MC110B	139.6" (3546 mm)	29°	79.9" (2030 mm)	74" (1880 mm)	72.3" (1838 mm)	59.8" (1518 mm)	66.1" (1678 mm)	56.1" (1426 mm)	84.8" (2154 mm)

Data with pallet fork (ISO 14397)			
	Tipping load		
Center of gravity	MC80B	MC90B	MC110B
42" (1067 mm)	2593 lbs (1176 kg)	3017 lbs (1369 kg)	3525 lbs (1599 kg)
48" (1219 mm)	2565 lbs (1164 kg)	2824 lbs (1281 kg)	3361 lbs (1525 kg)

Data with pallet fork (ISO 14397)			
	Rated Operating Capacity		
Center of gravity	MC80B	MC90B	MC110B
42" (1067 mm)	1297 lbs (588 kg)	1509 lbs (684 kg)	1763 lbs (800 kg)
48" (1219 mm)	1283 lbs (582 kg)	1412 lbs (641 kg)	1681 lbs (762 kg)

Data According to Bucket Type	Bucket				
		Width	Weight	SAE Heaped cap	SAE Struck cap
MC80B MC90B MC110B	Dirt Bucket w/bolt-on edge	74" (1880 mm)	538 lbs (244.2 kg)	16.71 ft³ (0.47 m³)	11.8 ft³ (0.33 m³)
	Dirt Bucket W/bolt-on Adapters/teeth	74" (1880 mm)	510 lbs (231.4 kg)	16.1 ft³ (0.46 m³)	11.55 ft³ (0.33 m³)
	Landscape Bucket w/bolt-on edge	74" (1880 mm)	562 lbs (254.9 kg)	19 ft³ (0.54 m³)	13.3 ft³ (0.38 m³)
	Landscape Bucket W/bolt-on Adapters/teeth	74" (1880 mm)	534 lbs (242.1 kg)	18.42 ft³ (0.52 m³)	13.11 ft³ (0.37 m³)
	Dirt Bucket w/bolt-on edge	82" (2083 mm)	581 lbs (263.4 kg)	18.66 ft³ (0.53 m³)	13.11 ft³ (0.37 m³)
	Dirt Bucket W/bolt-on Adapters/teeth	82" (2083 mm)	551 lbs (249.7 kg)	18.01 ft³ (0.51 m³)	12.86 ft³ (0.36 m³)
	Landscape Bucket w/bolt-on edge	82" (2083 mm)	606 lbs (274.9 kg)	21.24 ft³ (0.60 m³)	14.78 ft³ (0.42 m³)
	Landscape Bucket W/bolt-on Adapters/teeth	82" (2083 mm)	576 lbs (261.2 kg)	20.58 ft³ (0.58 m³)	14.53 ft³ (0.41 m³)

MC60B, MC70B, MC80B, MC90B, MC110B

STANDARD EQUIPMENT

Engine

Volvo brand, 4-cylinder, liquid-cooled, 16-valve, direct-injection diesel engines
Meet US EPA Tier III standards
Self-cleaning, dual-element, air cleaner
Dual element dry air cleaner
Remote-mount fuel filter
Remote-mount water separator
Remote-mount electric fuel pump
12-Volt heavy-duty starter
Alternator with internal regulator
Quick cycle engine preheat
Engine oil remote drain hose
High-capacity radiator
Anti-freeze protection to -35 degrees F
Separate, tilt-out hydraulic oil cooler

Electrical

Heavy-duty, maintenance-free battery
Engine start/stop key switch
Fuel gauge
Coolant temperature gauge
Hour meter
Two front 50-Watt work lights
Master electrical shut-off switch
In-cab fuse panel accessible without tools
Sealed electrical connectors meet IP65 water ingress standard

Warning lights:

Air filter restriction, alternator output, seat belt use, hydraulic filter restriction, hydraulic oil temperature, battery charge
Warning lights with audible alarm:
Engine coolant temperature, engine oil pressure and hydraulic oil temperature

Transmission

Two variable displacement piston pumps mounted in tandem
Two fixed displacement high torque motors

Hydraulics

Lift-arm mounted auxiliary hydraulics with standard flat face couplers (ISO 16028)
5 micron hydraulic oil filter mounted in tank

Safety

Lift-arm support strut
Electric lift and tilt hydraulic lockouts
Back-up alarm
Automatic parking brake
Emergency exit rear window
Horn
Rear and top door props

Cab

Top window
Rear window/secondary escape.
Deluxe, high-back, super-comfort seat with fore-aft adjustment and seatback angle adjustment.
2" retractable seat belt
Operator seat bar
Dual travel/steering levers
Dual, adjustable-angle foot pedals
Tilt forward ROPS/FOPS cab
12-Volt power accessory outlet

Other

Lockable rear door and engine cover
Quick-Attach mounting frame
Lockable fuel cap

OPTIONAL EQUIPMENT

Cab

Adjustable suspension seat
Cab enclosure with side windows, heater/blower, front door with washer/wiper
Cab enclosure with side windows, heater/blower, air-conditioning, front door with washer/wiper
Special applications kit with polycarbonate front door
5-button attachment control w/Harness & 14-pin connector plug
3" retractable seat belt
3-point seat belt (3" lap with 2" shoulder)
4-Point lift kit

Controls

Electro-proportional auxiliary hydraulic control
Pilot-operated joystick controls

Engine

Engine block heater
Engine auto-idling

Hydraulics

Hydraulic reservoir heater
High flow hydraulics
Hydraulic self level (lift only)

Electrical

Rotating beacon light
Rear work lights
Anti-theft function

Tires

Standard duty lug tires
Heavy-duty lug Tires
Over-the-tire steel tracks





Volvo Construction Equipment is different. It's designed, built and supported in a different way. That difference comes from an engineering heritage of over 170 years. A heritage of thinking first about the people who actually use the machines. About how to help them be safer, more comfortable, more productive. About the environment we all share. The result of that thinking is a growing range of machines and a global support network dedicated to helping you do more. People around the world are proud to use Volvo. And we're proud of what makes Volvo different - **More care. Built in.**



Not all products are available in all markets. Under our policy of continuous improvement, we reserve the right to change specifications and design without prior notice. The illustrations do not necessarily show the standard version of the machine.

VOLVO

Volvo Construction Equipment
www.volvoce.com/na

Ref. No. 22 2 000 9901
Printed in USA 06/09
Volvo, Asheville
Copyright © 2009 Volvo

English
USA