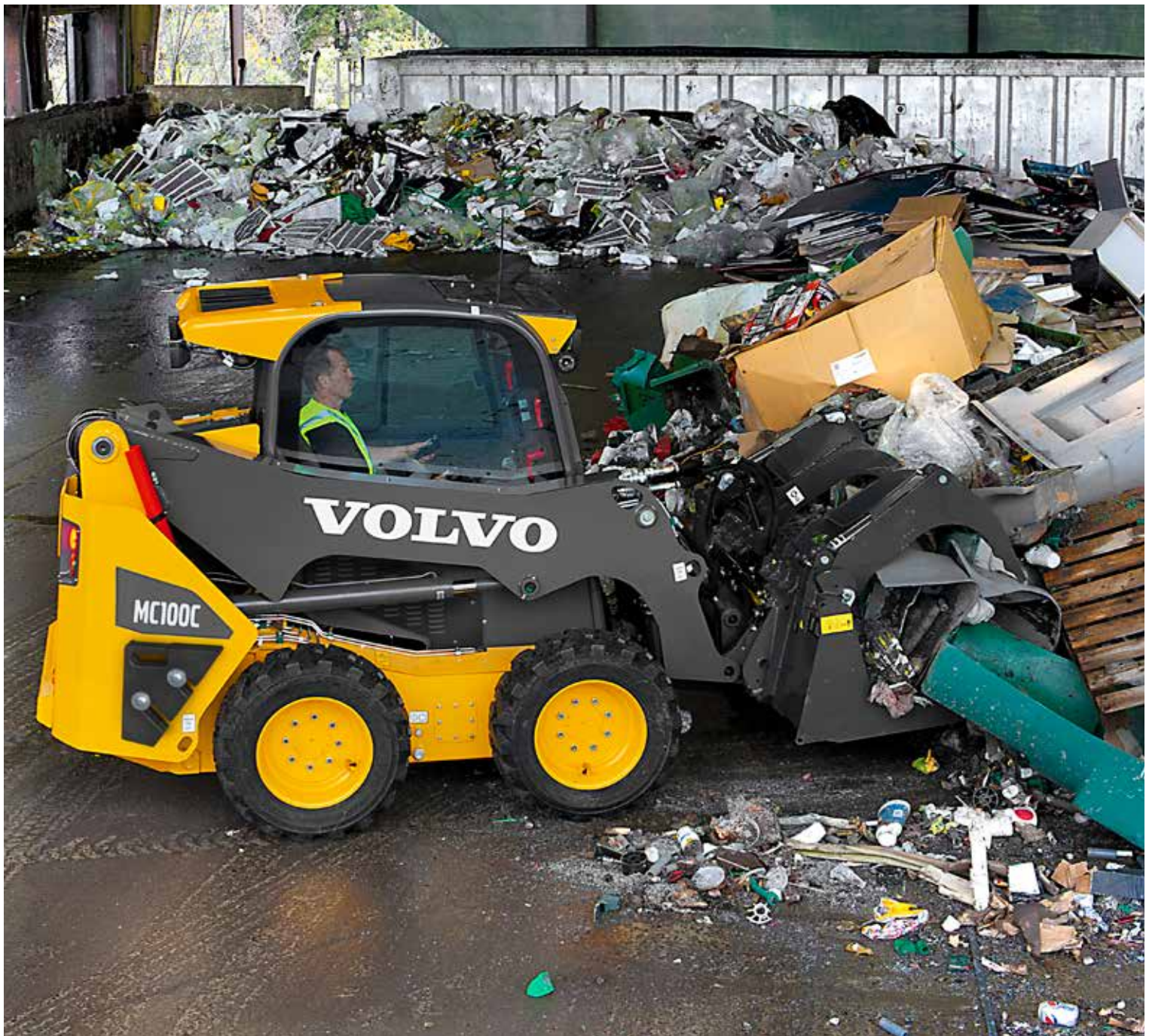




Volvo Construction Equipment

MC70C, MC85C, MC100C, MC105C

Volvo Skid Steer Loaders ROC: 703-958 kg / 1,550-2,112 lb 56.3-73.8 hp



Primed for performance

Move more for less in all seasons and terrains with the powerful and durable Volvo C-Series skid steer loader, equipped with heavy-duty components and increased strength to maximize uptime and profitability. Delivering superior loading performance and durability, the C-Series offers improved visibility, safety, serviceability and enhanced access of a side-entry machine thanks to the unique single loader arm design.

See more, do more

See and do even more thanks to the curved single loader arm, large top window and narrow ROPS cab pillars, offering 270° of visibility – 60% more than any other skid steer on the market. The robust arm and attachment bracket are better than ever, providing superb forward and side views of the attachment and jobsite. The cab's design also features glass panels and a rearview mirror, optimizing productivity and safety.



Designed to perform

Do more with the Volvo C-Series, equipped with the next generation single loader arm design, providing more strength and durability even in the harshest working conditions. Built with 20% more steel than conventional skid steer loaders, the heavy-duty design and reinforcement of the single loader arm provide reliability and effectively distribute the load, boosting productivity and the profitability of your business.



Simplified service

With simple serviceability, the Volvo C-Series takes the hassle out of daily checks and helps maximize your profitability. All service and maintenance points are arranged in a simple layout and can be accessed using the large rear door. The entire cab can easily be tilted forward by one person with the removal of two bolts from the inside. Gas struts lock into place for simple, safe and quick access to key internal components.



Biggest cab in the industry

Take on tough tasks from the comfort of the industry's largest cab, boasting 30% more room than standard skid steers. The climate-controlled ROPS/FOPS high spec Volvo cab offers ample storage and legroom as well as noise insulation, keeping the operator fresh, alert and focused – longer. From the adjustable seat, access logically grouped controls and easy-to-read gauges located in the two ergonomic consoles.





TOTAL ACCESS

Say hello to the safest and most convenient cab access on the market. Designed with the operator in mind, the Volvo cab ensures safe ingress and egress regardless of terrain. The large side door and non-slip step eliminate the risk of injury from climbing over cumbersome attachments as well as the need to turn to sit down, optimizing safety and usability.



ULTIMATE TOOL CARRIER

Even in demanding environments, no job is too tough for the robust Volvo C-Series skid steer loader. Built with high quality components, this machine is the ultimate tool carrier, offering unparalleled versatility to ensure long-lasting performance across any applications or conditions. Tailor the machine to match the exact requirements of your jobsite.

More than a machine

With a Volvo skid steer loader and a Volvo attachment, you simply get more done. Choose from Volvo's extensive range of attachments and customer solutions, tailored to your business and operations to get the most out of your investment. Ensure your machine achieves ultimate uptime with our unique, global dealer support network, designed to generate maximum profit and growth for your business.

Attach and attack

From hauling earth to breaking concrete, rely on Volvo attachments to get the job done. Choose from an extensive range of attachments, purpose-built to work in harmony with all Volvo skid steer loaders. With functions and properties perfectly matched, Volvo attachments are an integrated part of the machine, delivering maximum productivity.



One stop shop

Get exactly what you need from your local dealer, who will provide all the service and support of your Volvo machine, parts and more, giving you peace of mind knowing Volvo has you – and your machine – covered. Volvo offers long-term partnerships, protects your revenue and provides a full range of customer solutions using high quality parts and excellent services – available all in one place.



Keep your Volvo a Volvo

We're committed to providing a complete solution to guarantee the highest performance of your Volvo machine, including high quality attachments and Genuine Volvo Parts, extensively tested and approved because every part is vital for performance. Rely on our leading parts availability to ensure maximum uptime, extend the life of your Volvo and optimize the profitability of your business.



Complete package

Parallel-Lift, raise

Hydraulic parallel-lift allows the attachment to remain parallel to the ground throughout the raise cycle.

Radial and vertical lift

Choose a vertical lift model for loading and material handling applications, or radial lift for ground engaging applications.

ULTIMATE TOOL CARRIER

Pick up and run with multiple attachments to take on a variety of jobs with just one machine.

Auxiliary Performance Boost

Increased flow on the high flow option for the MC100C and 105C.

Quick attachment changes

The hydraulic quick couplings, including the standard case drain, feature pressure relief valve for easy attachment change.

Attach and attack

Choose from an extensive range of attachments, purpose-built to work in harmony with all Volvo skid steer loaders.



See more, do more

Boost productivity with 270° of visibility provided by the curved single loader arm, large top window and narrow cab pillars.

Biggest cab in the industry

Stay fresh, alert and focused in the spacious Volvo cab, providing all the room you need to power through the day.

TOTAL ACCESS

The large side door and non-slip step ensure safe and easy access, eliminating the need to climb over attachments.

Designed to perform

Do more with the next generation single loader arm design, providing greater strength and durability than ever before.

New optional counterweight kits

Boost your lifting performance by adding suit case counterweight kits to the MC100C and MC105C.

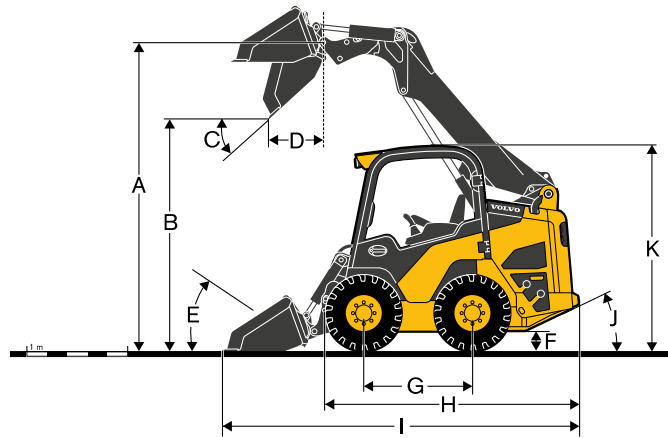
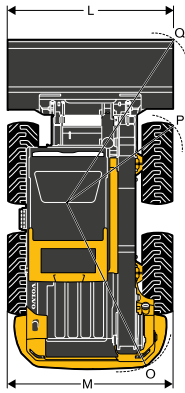
Simplified service

Access daily maintenance points via the large rear door. Tilt the cab forward for in-depth service.



Specifications

		MC70C	MC85C	MC100C	MC105C	
Engine						
Model		KDI 1903 TCR	KDI 1903 TCR	KDI 2504 TCR	KDI 2504 TCR	
Cylinders		3	3	4	4	
Fuel type		Diesel	Diesel	Diesel	Diesel	
Displacement	cm ³ (in ³)	1,860 (113.5)	1,860 (113.5)	2,482 (151.5)	2,482 (151)	
Aspiration		Turbo	Turbo	Turbo	Turbo	
Cooling system		Water	Water	Water	Water	
Horsepower						
SAE gross power	kW (hp)	42 (56.3)	42 (56.3)	55 (73.8)	55 (73.8)	
Max. net power	kW (hp)	41.1 (55.1)	41.1 (55.1)	54.1 (72.5)	54.1 (72.5)	
at engine speed	r/min (r/s)	2,600 (43.3)	2,600 (43.3)	2,600 (43.3)	2,600 (43.3)	
Max. gross torque	Nm (ft lbf)	225 (166)	225 (166)	300 (221)	300 (221)	
at engine speed	r/min (r/s)	1,500 (25)	1,500 (25)	1,500 (25)	1,500 (25)	
Max. no load speed	r/min (r/s)	2,750 (45.8)	2,750 (45.8)	2,750 (45.8)	2,750 (45.8)	
Electrical system						
Battery	V/Ah	12/109	12/109	12/109	12/109	
Alternator	Ah	100	100	100	100	
Starter	kW	2	2	2	2	
Drivetrain						
Tires		10x16,5 - 8 pr	10x16,5 - 8 pr	10x16,5 - 8 pr	10x16,5 - 8 pr	
Hydraulics system-loader						
Std hydraulic pump output	l/min (gal/min)	70 (18.5)	70 (18.5)	70 (18.5)	70 (18.5)	
High flow pump output	l/min (gal/min)	100 (26.4)	100 (26.4)	115 (30.4)	115 (30.4)	
at engine speed	r/min (r/s)	2,600 (43.3)	2,600 (43.3)	2,600 (43.3)	2,600 (43.3)	
System pressure	MPa (psi)	23 (3,336)	23 (3,336)	23 (3,336)	23 (3,336)	
Service capacities						
Cooling system	l (gal)	10 (2.6)	10 (2.6)	10 (2.6)	10 (2.6)	
Engine crankcase with filter, change	l (qt)	10.2 (10.8)	10.2 (10.8)	10.2 (10.8)	10.2 (10.8)	
Fuel tank	l (gal)	98 (25.9)	92 (24.3)	98 (25.9)	92 (24.3)	
Hydraulic system - total capacity	l (gal)	43.5 (11.5)	43.5 (11.5)	43.5 (11.5)	43.5 (11.5)	
Hydraulic reservoir capacity	l (gal)	26 (6.9)	26 (6.9)	26 (6.9)	26 (6.9)	
Performance						
Lift arm path		Radial	Vertical	Radial	Vertical	
Rated operating capacity (ISO 14397)	kg (lb)	703 (1,550)	795 (1,753)	959 (2,114)	958 (2,112)	
Tipping capacity (ISO 14397)	kg (lb)	1,406 (3,100)	1,590 (3,505)	1,918 (4,228)	1,915 (4,222)	
Operating weight (ISO 6016)	kg (lb)	2,995 (6,603)	3,093 (6,819)	3,123 (6,885)	3,290 (7,253)	
Breakout force, lift	kg (lb)	1,770 (3,902)	1,570 (3,461)	1,874 (4,131)	2,083 (4,592)	
Breakout force, curl	kg (lb)	1,820 (4,012)	2,140 (4,718)	1,798 (3,964)	2,222 (4,899)	
Maximum travel speed						
Single speed	km/h (mi/h)	12 (7.5)	12 (7.5)	12 (7.5)	12 (7.5)	
Two speed	km/h (mi/h)	12 / 18.5 (7.5 / 11.5)	12 / 18.5 (7.5 / 11.5)	12 / 18.5 (7.5 / 11.5)	12 / 18.5 (7.5 / 11.5)	
Cycle time						
Raise (lifting)	s	3.2	3.2	3.2	3.2	
Lower (power down)	s	1.8	1.8	1.8	1.8	
Curl	s	1.4	1.4	1.4	1.4	
Dump	s	1.8	1.8	1.8	1.8	
Cab						
Refrigerant of type R134a is used when the machine is equipped with air conditioning. Contains fluorinated greenhouse gas R134a, Global Warming Potential 1.430 t CO ₂ -eq.						
Sound level						
Driver's ear, according to ISO 6396 / ISO 11201 (Cabin / Canopy)						
LpA	dB(A)	80 / 85	80 / 85	80 / 85	80 / 85	
External, according to ISO 6395 / Directive 2000/14/EC						
LwA	dB(A)	101	101	101	101	
Operating weights and hydraulic performance regarding counterweight kits (option)						
	Counterweight	Unit	MC100C (Cab)		MC105C (Cab)	
ISO 6016 operating weight	No	kg lb	6,885	15,179	7,253	15,990
	Half	kg lb	6,980	15,388	7,341	16,184
	Full	kg lb	7,075	15,598	7,474	16,477
Rated operating capacity (ISO 14397) at 50%	No	kg lb	959	2,114	958	2,112
	Half	kg lb	979	2,158	998	2,200
	Full	kg lb	1,015	2,238	1,024	2,258
Tipping capacity (ISO 14397)	No	kg lb	1,918	4,228	1,915	4,222
	Half	kg lb	1,957	4,314	1,996	4,400
	Full	kg lb	2,030	4,475	2,049	4,517
Breakout force, lift	No	kg lb	1,874	4,131	2,083	4,592
	Half	kg lb	1,874	4,131	2,083	4,592
	Full	kg lb	1,874	4,131	2,083	4,592
Breakout force, curl	No	kg lb	1,798	3,964	2,222	4,899
	Half	kg lb	1,798	3,964	2,222	4,899
	Full	kg lb	1,798	3,964	2,222	4,899



DIMENSIONS

		Units		MC70C		MC85C		MC100C		MC105C	
A	Height to hinge pin	mm	ft in	3,000	9'10"	3,000	9'10"	3,000	9'10"	3,000	9'10"
B	Dump height	mm	ft in	2,260	7'5"	2,260	7'5"	2,260	7'5"	2,260	7'5"
C	Dump angle	°		42		42		42		42	
D	Dump reach	mm	ft in	560		860	2'10"	560	1'10"	860	2'10"
E	Roll back angle	°		30		30		30		30	
F	Ground clearance	mm	ft in	210	0'8"	210	0'8"	210	0'8"	210	0'8"
G	Wheelbase	mm	ft in	1,070	3'6"	1,070	3'6"	1,070	3'6"	1,070	3'6"
H	Overall length (L/bucket)	mm	ft in	2,740	8'12"	2,740	8'12"	2,740	8'12"	2,740	8'12"
I	Overall length (W/bucket)	mm	ft in	3,490	11'5"	3,490	11'5"	3,490	11'5"	3,490	11'5"
J	Angle of departure	°		25		25		25		25	
K	Overall height	mm	ft in	1,980	6'6"	1,980	6'6"	1,980	6'6"	1,980	6'6"
L	Bucket width	mm	ft in	1,680	5'6"	1,680	5'6"	1,680	5'6"	1,680	5'6"
M	Over tire / tracks width (L/bucket)	mm	ft in	1,520	4'12"	1,520	4'12"	1,520	4'12"	1,520	4'12"
O	Turning radius rear	mm	ft in	1,650	5'5"	1,650	5'5"	1,650	5'5"	1,650	5'5"
P	Turning radius front L/bucket	mm	ft in	1,140	3'9"	1,140	3'9"	1,140	3'9"	1,140	3'9"
Q	Turning radius front W/bucket	mm	ft in	2,090	6'10"	2,090	6'10"	2,090	6'10"	2,090	6'10"

Pallet forks MC70C MC85C MC100C MC105C		Overall height		Overall width		Overall length		Adjustable tine spacing				Pallet fork rating		Overall weight	
		mm	ft in	mm	ft in	mm	ft in	mm	ft in	mm	ft in	kg	lb	kg	lb
	PF-42	984	3'3"	1,194	3'11"	1,313	4'4"	229	0'9"	1,143	3'9"	2,722	6,001	206	454
	PF-48	984	3'3"	1,194	3'11"	1,466	4'10"	229	0'9"	1,143	3'9"	2,722	6,001	218	481

Data according to bucket type	Bucket	Width		Length		Height		Weight		Heaped cap	
		mm	ft in	mm	ft in	mm	ft in	kg	lb	m³	yd³
MC70C	General Purpose Bucket	1,524	5'0"	800	2'7"	521	1'9"	146	322	0.36	0.47
	General Purpose Bucket	1,676	5'6"	800	2'7"	521	1'9"	200	441	0.39	0.51
	Landscape Bucket	1,524	5'0"	953	3'2"	521	1'9"	160	353	0.45	0.59
	Landscape Bucket	1,676	5'6"	953	3'2"	521	1'9"	217	478	0.49	0.64
	Multi Purpose Bucket	1,524	5'0"	953	3'2"	701	2'4"	203	448	0.35	0.46
	Multi Purpose Bucket	1,676	5'6"	953	3'2"	701	2'4"	259	571	0.45	0.59

Data according to bucket type	Bucket	Width		Length		Height		Weight		Heaped cap	
		mm	ft in	mm	ft in	mm	ft in	kg	lb	m³	yd³
MC85C MC100C MC105C	General Purpose Bucket	1,680	5'6"	800	2'7"	521	1'9"	200	441	0.39	0.51
	General Purpose Bucket	1,829	6'0"	800	2'7"	521	1'9"	215	474	0.43	0.56
	Landscape Bucket	1,680	5'6"	953	3'2"	521	1'9"	217	478	0.49	0.64
	Landscape Bucket	1,829	6'0"	953	3'2"	521	1'9"	232	511	0.54	0.71
	Multi Purpose Bucket	1,676	5'6"	953	3'2"	701	2'4"	259	571	0.45	0.59
	Multi Purpose Bucket	1,829	6'0"	953	3'2"	701	2'4"	352	776	0.57	0.75

Equipment

STANDARD AND OPTIONAL EQUIPMENT

- = Standard
- = Optional

	MC70C	MC85C	MC100C	MC105C
Engine				
4-cylinder, 16-valve, electronic common rail, liquid-cooled, direct-injection, turbocharged diesel engine	●	●	●	●
Meets US EPA-Tier 4, EU St3B	●	●	●	●
Self-cleaning, dual-element, air cleaner	●	●	●	●
12-Volt heavy-duty starter	●	●	●	●
Alternator with internal regulator	●	●	●	●
Grid heater	●	●	●	●
Quick cycle engine preheat	●	●	●	●
Engine oil remote drain hose	●	●	●	●
High-capacity radiator	●	●	●	●
Spark arrestor muffler	○	○	○	○
Auto idling	●	●	●	●
Reversible fan	○	○	○	○
Maintenance-free Diesel Oxidation Catalyst (DOC)	●	●	●	●
External pre-cleaner (cyclonic type)	○	○	○	○
Engine block heater 110V	○	○	○	○
Engine block heater 240V	○	○	○	○
Cab, canopy equipment				
Canopy, isolation mounted, FOPS & ROPS, with low left-hand side door	●	●	●	●
Cabin, isolation mounted, heated fully glazed sealed and pressurized, FOPS & ROPS, washer/wiper and sliding left hand window	○	○	○	○
Cabin, isolation mounted, Air conditioned/heated fully glazed sealed and pressurized, FOPS & ROPS, washer/wiper and sliding left hand window	○	○	○	○
Right-hand laminated glass	●	●	●	●
Cab access step	●	●	●	●
Top window	●	●	●	●
In-cab rearview mirror	●	●	●	●
Interior light	●	●	●	●
Pod storage area	●	●	●	●
12-Volt power accessory outlet	●	●	●	●
Cup holder	●	●	●	●
Secondary exit through front windshield	●	●	●	●
Radio with Auxiliary input	○	○	○	○
In-cab fuse panel	●	●	●	●
In-cab analog hourmeter	○	○	○	○
Control panel				
Engine start/stop key switch	●	●	●	●
Electronic hand throttle	●	●	●	●
Electric lift and tilt hydraulic lockouts	●	●	●	●
Park brake switch	●	●	●	●
Full audible and/or visual warning systems (Charge pressure, Coolant temperature, Hydraulic oil and Engine oil pressure, Air filter restriction, Alternator, Low Fuel Level)	●	●	●	●
Fuel gauge	●	●	●	●
Coolant temperature gauge	●	●	●	●
Hydraulic oil temperature gauge	●	●	●	●
Hourmeter	●	●	●	●
Keyless start with immobilizer	○	○	○	○
Controls				
3-way function levers	●	●	●	●
7-way function levers, with 14-pin connector	○	○	○	○
ISO hand electro hydraulic controls	●	●	●	●
Operator modes	●	●	●	●
Control pattern selection: ISO or H-pattern	○	○	○	○
Foot throttle	●	●	●	●

STANDARD AND OPTIONAL EQUIPMENT

- = Standard
- = Optional

	MC70C	MC85C	MC100C	MC105C
Seats and seat belts				
Operator seat bar	●	●	●	●
Mechanical suspension seat	●	●	●	●
Air suspension seat, heated, vinyl, with adjustable control pods	○	○	○	○
Air suspension seat, heated, with adjustable control pods, cloth	○	○	○	○
2" retractable seat belt	●	●	●	●
3" retractable seat belt	○	○	○	○
Three points two inches retractable seat belt	○	○	○	○
Three points three inches retractable seat belt	○	○	○	○
Lighting and warning				
2 front 50-Watt work lights	●	●	●	●
1 rear 50-Watt work lights (2 if AC)	●	●	●	●
Additional (2nd) 50-Watt work light (if no AC)	○	○	○	○
Rotating beacon	○	○	○	○
Tall rotating beacon (Italy)	○	○	○	○
Back-up alarm with rear light	●	●	●	●
White noise back-up alarm	○	○	○	○
Road light kit including left and right hand side rear view mirrors	○	○	○	○
Loader arm and Hydraulic functions				
Radial lift	●	—	●	●
Vertical lift	—	—	—	●
Parallel-Lift, raise only	○	○	○	○
Lift-arm mounted auxiliary hydraulics (Flat face couplers)	●	●	●	●
Low flow case drain return line	●	●	●	●
High flow auxiliary hydraulics	○	○	○	○
Mechanical attachment bracket	●	●	●	●
Boom Suspension System	○	○	○	○
Float function	●	●	●	●
Creep speed control	○	○	○	○
Travel lock kit (Italy)	○	○	○	○
Driveline, undercarriage				
2 servo-assisted variable displacement piston pumps mounted in tandem	●	●	●	●
2 fixed displacement high torque motors	●	●	●	●
2-speed travel	○	○	○	○
Standard duty lug tires	●	●	●	●
Heavy-duty lug tires	○	○	○	○
Heavy-duty wide flotation lug tires	○	○	○	○
Hydraulic park brake	●	●	●	●
Maintenance				
Lockable rear service door and engine cover	●	●	●	●
Master electrical shut-off switch	●	●	●	●
Lockable fuel cap	●	●	●	●
Tilting canopy/cab	●	●	●	●
Lift-arm support strut	●	●	●	●
Emergency boom lower valve	●	●	●	●
Segment protection packages				
- FOPS level 2 roof guard	○	○	○	○
- Front screen guard	○	○	○	○
- Heavy duty rear bar	○	○	○	○
- Tilt cylinder guard	○	○	○	○
- Polycarbonate screen	○	○	○	○
- Mud guards and fuel cap protection	○	○	○	○

Contact your local dealer for more info

SELECTION OF VOLVO OPTIONAL EQUIPMENT

Heated cab with air conditioning for year-round comfort



Choice of Tire to best suit your job



High flow auxiliary hydraulics



2-speed option helps you get the job done faster



Volvo assisted attachment bracket allows the operator to change attachment from the seat



Not all products are available in all markets. Under our policy of continuous improvement, we reserve the right to change specifications and design without prior notice. The illustrations do not necessarily show the standard version of the machine.

VOLVO

Volvo Construction Equipment

www.volvoce.com