

# VR-530C Telescopic Material Handler

**IR** Ingersoll Rand®

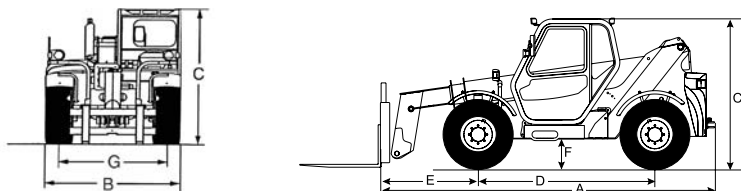


## Multitasking at a Whole New Level

The compact footprint and tight turning radius of this telescopic material handler allows easy maneuverability around the tightest of jobsites. Its lightweight and rigid boom design outperforms other telescopics in its class, and the narrow quick attach optimizes visibility of the load at all points in the lift zone. With several versatile attachments, including swing carriages and buckets, this productive performer contributes to jobsite efficiency — and bottom-line profitability.

# VR-530C Telescopic Material Handler

## Specifications



### MODEL **VR-530C**

#### SIZE / DIMENSIONS\*

Overall Length (w/o forks) – in (cm)	A	207 (526)
Overall Width – in (cm)	B	87.2 (222)
Overall Height – in (cm)	C	90 (230)
Wheelbase – in (cm)	D	112 (285)

#### REACH

Drive Axle To Carriage Front – in (cm)	E	56 (142)
Ground Clearance – in (cm)	F	17 (43)
Tread Width – in (cm)	G	72 (182)
Side Leveling		+ / - 6°
Shipping Weight – lb (kg)		17,570 (7870)

#### TURNING RADIUS

Inside – in (cm)	54 (137)
Outside – in (cm)	154 (390)

#### ENGINE

Make	Perkins 1104C-44T turbocharged diesel
Horsepower – hp (kW)	100 (74.5) @ 2,200 rpm
Torque – ft-lb (Nm)	304 (42) @ 1,400 rpm

#### TRANSMISSION

Type	Hydrostatic
Two Driving Modes	Working / travel
Working Speed (fwd & rev) – mph (km/h)	0 – 4.6 (0 – 7.39)
Travel Speed (fwd & rev) – mph (km/h)	0 – 15.4 (0 – 25)

#### DRIVE AXLES

Front & Back	All-wheel drive
Type	Planetary steering

#### BRAKES

Service	Internal wet disc
Parking — Multidisc On Front Axle	Internal spring-applied, hydraulically released

#### TIRES

Model	Titan Lift Rigger II
Front / Rear	400 / 70 x 20 166A2
Ballast	Not required

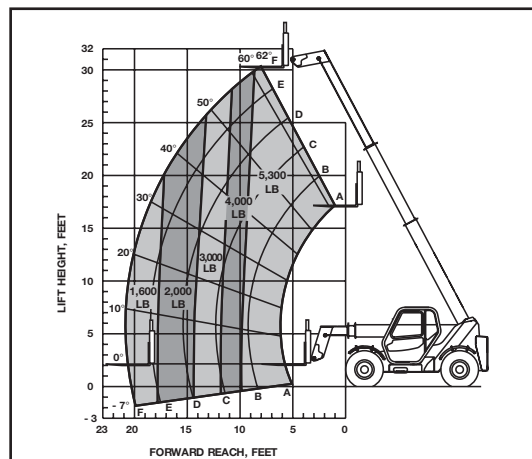
#### STEERING

Three Modes	2-wheel, 4-wheel, or crab
-------------	---------------------------

#### ELECTRICAL

Negative Ground – volts	12
Alternator – amps	100
Battery – amps	900
Back-up Alarm – dBA	102

\*Vehicle dimensions with 24 in (600 mm) load center.



#### RATED LOAD CAPACITY

Boom Retracted @ Max Angle – lb (kg)	5,300 (2404)
Boom Extended @ Max Angle – lb (kg)	5,300 (2404)
Boom Extended @ Max Reach – lb (kg)	1,600 (726)

#### OPERATING SPECIFICATIONS

Max Lift Capacity – lb (kg)	5,300 (2404)
Max Lift Height – ft (cm)	30' 4" (925)

From Front Of Tires To 24" Load Center	20' 4" (620)
Practical Placement Height – ft (cm)	26' 11" (820)
Max Reach Practical Placement Height – ft (cm)	12' (370)
Max Vertical Reach Below Grade – ft (cm)	2' 1" (64)
Max Reach @ Max Height – ft (cm)	7' 8" (235)

#### BOOM

Boom Type	3-stage
Boom Angles	Up: 62° Down: -7°
Extend Speed / Retract Speed – sec	13 / 11
Boom Lift Speed / Boom Lower Speed – sec	8.8 / 6.5
Carriage Rotation	124°

Note: Capabilities are to ASME B56.6 – 2002.

Product improvement is a continuing goal at Ingersoll-Rand. Designs and specifications are subject to change without notice or obligation.

#### OPTIONS / ACCESSORIES

- All-weather cab w/ heat and air conditioning
- Rotating beacon

#### ATTACHMENTS\*

- Buckets
- Drywall handler
- Side-tilt carriages
- Swing carriages
- Truss boom
- Various width carriages

\*Contact your local Ingersoll-Rand dealer for additional attachment options.



www.irco.com

(877) IR BRAND

© 2005 Ingersoll-Rand Co.

Form 07-0034  
Printed in USA 3-05