



Volvo Construction Equipment

# SD75B, SD115B, SD135B

Volvo Single Drum Compactors 7.1-13 t 55.4-110 kW



# A passion for performance

At Volvo Construction Equipment, we're not just coming along for the ride. Developing products and services that raise productivity – we are confident we can lower costs and increase profits for industry experts. Part of the Volvo Group, we are passionate about innovative solutions to help you work smarter – not harder.

## Helping you to do more

Doing more with less is a trademark of Volvo Construction Equipment. High productivity has long been married to low energy consumption, ease of use and durability. When it comes to lowering life-cycle costs, Volvo is in a class of its own.

## Designed to fit your needs

There is a lot riding on creating solutions that are suited to the particular needs of different industry applications. Innovation often involves high technology – but it doesn't always have to. Some of our best ideas have been simple, based on a clear and deep understanding of our customers' working lives.



## You learn a lot in 180 years

Over the years, Volvo has advanced solutions that have revolutionized the use of construction equipment. No other name speaks Safety louder than Volvo. Protecting operators, those around them and minimizing our environmental impact are traditional values that continue to shape our product design philosophy.

## We're on your side

We back the Volvo brand with the best people. Volvo is truly a global enterprise, one that is on standby to support customers quickly and efficiently – wherever they are.

## We have a passion for performance.



Volvo Trucks



Renault Trucks



Mack Trucks



UD Trucks



Volvo Buses



Volvo Construction Equipment



Volvo Penta



Volvo Financial Services

# Versatile performance

The new Volvo soil compactors SD75B, SD115B and SD135B are packed with advanced technology. The drum is configured with ease while the engine controls itself. The compactors adapt to your application and jobsite to provide maximum versatility and performance.

## Frequency and amplitude choices

Easily adjust the vibration frequency from the operator console to compensate for changing soil types and conditions. Two frequency settings are standard and for even greater versatility, five frequency options are available. High and low amplitudes can also be selected.

## Adaptive power

Adaptive power tailors machine performance by adjusting engine and hydraulic systems to individual job site requirements, providing the exact amount of power needed for increased efficiency. It's designed to run the machine at the optimal level needed for the job.



## Application versatility

The machine can be set up in three different configurations and is available with smooth or padfoot drum. The compactor is quickly and easily converted from a smooth drum by clamping on a padfoot shell. The padfoot shell kit allows the machine to work in different applications and increases versatility.

## Gradeability

The Volvo traction system provides excellent climbing and traction capabilities in difficult applications, such as steep inclines or slippery surfaces. The system prevents wheel or drum spin, improving gradeability, performance and productivity.





# DRUM PERFORMANCE

Volvo's advanced drum control system delivers multiple frequencies, dual amplitude, and optimized centrifugal force – matching the drum's performance to your application. The choice of high or low amplitude is easily selected, giving you the flexibility to adjust the drum's dynamic force based on the job and material depth. The auto vibration feature also increases ease of operation and productivity.



# VOLVO ENGINE

Volvo's premium Stage IV engine delivers high torque at low rpm for superior performance and low fuel consumption. Designed to lower emissions and increase efficiency without compromising power.

# Power up, fuel down

The perfectly optimised Volvo Stage IV engine delivers high torque at low rpm for superior performance and low fuel consumption. The compactor's engine has been developed to offer greater fuel efficiency, increasing uptime and reducing costs.

## Efficient cooling system

The hydraulically-driven fan with variable speed draws power only when needed. Lower fan speeds reduce noise, resulting in greater operator comfort and a lower total cost of ownership.



## ECO mode

ECO mode is now standard and always on by default. It adjusts the engine speed to match the operation mode and achieves up to a 40% reduction in fuel consumption.

## Passive regeneration

The new passive regeneration provides continuous and simplified operation. Volvo's passive regeneration cleans the filters automatically during normal operation without any input from the operator or effect on performance.



## Eccentric design

The eccentric design delivers more efficiency while using less power. Matching the required performance to suit your application, the eccentric is designed for faster ramp up speeds at lower pressure for increased fuel efficiency.



# Packed with intelligence

## OPERATOR ENVIRONMENT

The ROPS/FOPS certified cab provides a safe and comfortable working environment with all-around visibility.

### ECO mode

ECO mode is now standard and always on by default. It adjusts the engine speed to match the operation mode.

## HIGH QUALITY COMPONENTS

The compactor features the highest quality components, clever routing and clean design.

### Heavy-duty

The heavy-duty drum, center joint and front frame components are designed and manufactured with durability in mind.

### Frequency and amplitude choices

Easily adjust the vibration frequency from the operator console to compensate for changing soil types and conditions.

## DRUM PERFORMANCE

Volvo's advanced drum control system delivers multiple frequencies, dual amplitude, and optimized centrifugal force.







## **VOLVO ENGINE**

The perfectly optimised Volvo Stage IV engine delivers high torque at low rpm for superior performance and low fuel consumption.

### **Passive regeneration**

Passive regeneration functions automatically during operation without input from the operator or effect on machine performance.

### **Service Access**

The electric engine hood lifts up giving extensive ground level access to the engine compartment.

### **CareTrack**

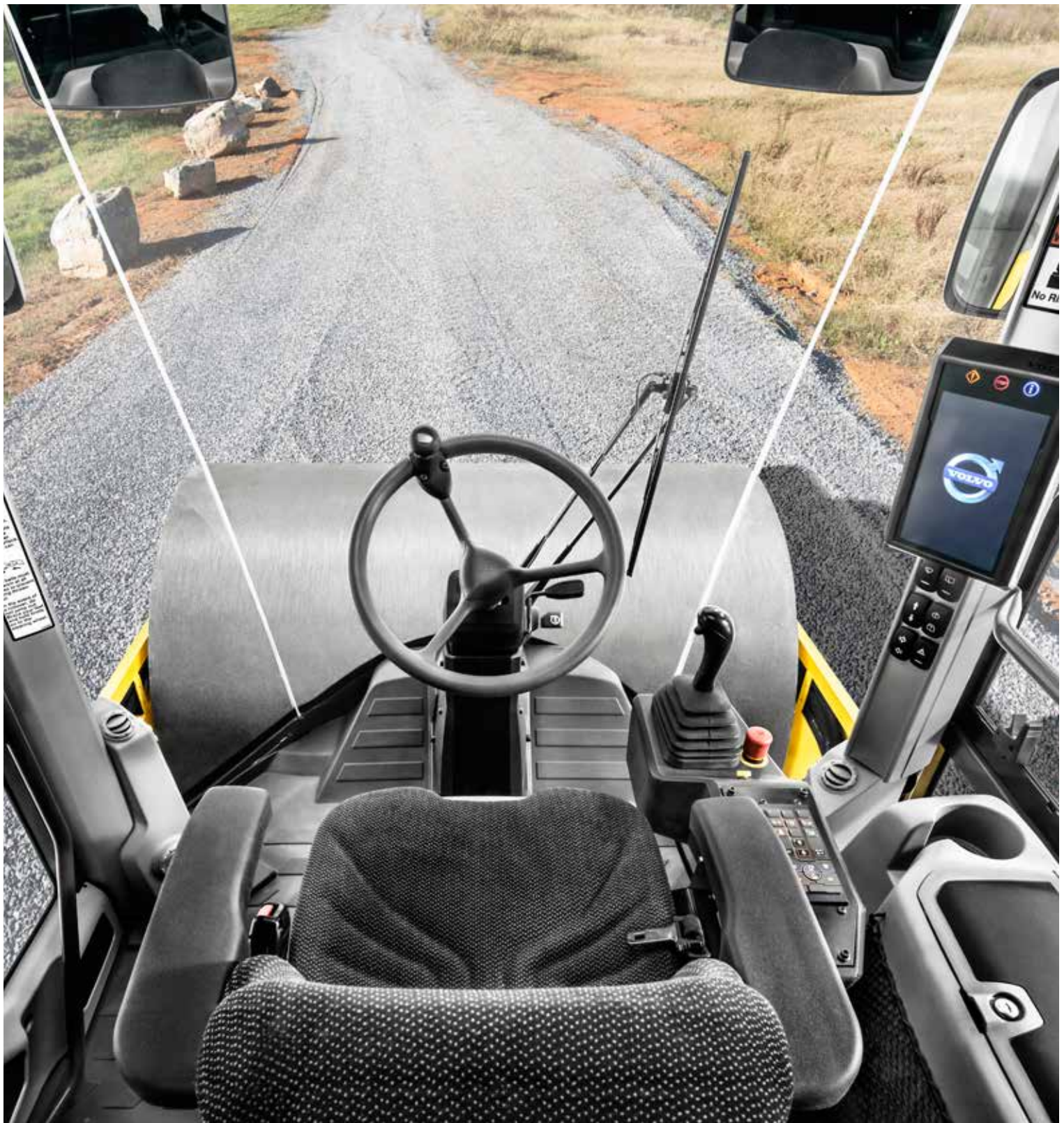
CareTrack provides you with reports, alarms, location and service hours for better machine management.

### **Gradeability**

The Volvo traction system provides excellent climbing and traction capabilities in difficult applications.

### **Impact meter**

Integrated into the display, the impact meter ensures you travel at the right speed for target compaction.



# OPERATOR ENVIRONMENT

The ROPS/FOPS certified cab provides a safe and comfortable working environment with an efficient heating and air conditioning system and all-around visibility. With floor to ceiling cab glass, the operator has an excellent forward drum view as well as superior front and rear visibility.

# Control in comfort

Step up to the Volvo designed cab and experience industry-leading low noise levels, ultimate comfort and a productive working environment. Safe, spacious and with improved all-around visibility, operators will work efficiently with less fatigue in a Volvo compactor.

## Seat

The fully adjustable seat now rotates and slides to enhance front and rear visibility for increased safety and comfort.



## HVAC system

The cab is equipped with industry-leading climate control to ensure a comfortable environment inside the cab, whether heating or air conditioning is required. High air intake and positive cabin pressure helps to reduce dust from entering the cab.



## Operator display

The new high-tech color operator display presents operational information and key diagnostics, reducing the need for regular physical checks. Easy to see in direct sunlight, further functions include service interval information and machine operating conditions. The control keypad is conveniently located on the operator's side console and controls are grouped together for comfort and efficiency.



## Impact meter

Integrated into the display, the impact meter ensures you travel at the right speed for target compaction. The impact meter measures impacts per meter for a uniform smooth finish.

# Robust and reliable

Volvo Construction Equipment produces the most robust and durable compactors on the market. The SD75B, SD115B and SD135B machines provide easy service access for increased uptime and quick maintenance.

## Service Access

The cab tilt is standard, providing access to all hydraulic components. For class-leading access, the electric engine hood lifts up giving extensive ground level access to the engine compartment. Maintenance and inspections can be conducted more efficiently with minimal downtime – increasing overall productivity and reliability.



## Sealed electronics

All components and electronics have been moved into the cab and mounted on the rear wall, protecting them from the elements. Fuses are accessible behind the fuse panel for improved accessibility.

## CareTrack

CareTrack is the state-of-the-art telematics system designed for Volvo Construction Equipment. Stay informed, receive reports, alarms and information such as fuel status, machine location and hours so you can plan your service more efficiently. Stay ahead of unscheduled downtime and check that your machine is being operated efficiently.



## Heavy-duty

The heavy-duty drum, centre joint and front frame components are designed and manufactured with durability in mind. The thick steel drum shell is engineered for longevity and performance. Frames are robotically welded and built from high quality steel with precise and consistent welds guaranteeing a strong structure.



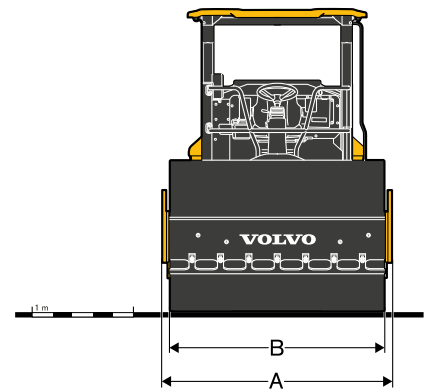
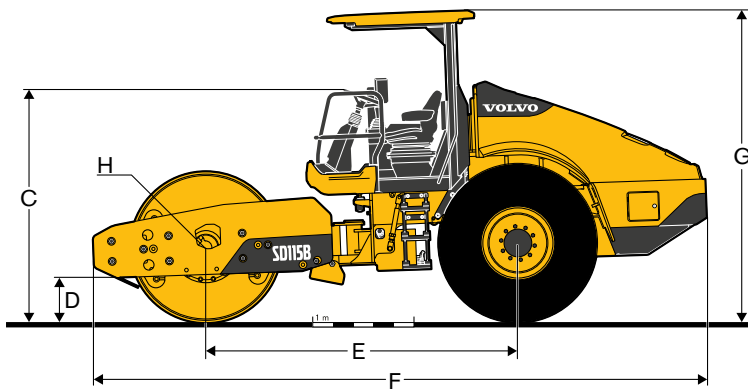


# HIGH QUALITY COMPONENTS

The compactor features the highest quality components, clever routing and clean design. The engine, hydraulics and electronic components work in harmony to deliver superior performance and increase machine life.

# Specifications

Model		SD75B		SD115B		SD135B	
Drum type		Smooth	Padfoot	Smooth	Padfoot	Smooth	Padfoot
<b>Machine Weights (inc. cab and inside scraper)</b>							
Operating Weight (CECE)	kg	7 192	7 368	11 743	11 900	12 600	13 300
Static Weight @ Drum	kg	3 610	3 786	6 293	6 450	7 150	7 850
Static Weight @ Tyres	kg	3 582	3 582	5 450	5 450	5 450	5 450
Shipping Weight	kg	7 081	7 257	11 613	11 770	12 470	13 170
<b>Drum</b>							
Width	mm	1 676	1 676	2 134	2 134	2 134	2 134
Diameter	mm	1 215	1 207	1 500	1 295	1 510	1 510
Shell Thickness	mm	20	16	25	25	30	30
Diameter Over Pad Feet	mm	-	1 354	-	1 550	-	1 760
Pad Feet	number of	-	84	-	112	-	112
Pad Height	mm	-	75	-	127	-	127
Pad Tip Area	cm <sup>2</sup>	-	125	-	135.3	-	135.3
<b>Vibration</b>							
Frequency	Hz	30.8/33.8	30.8/33.8	30.8/33.8	30.8/33.8	30.8 / 33.8	30.8 / 33.9
Optional 5 Frequency ( High Amp )	Hz	23.3 - 30.8	23.3 - 30.8	23.3 - 30.8	23.3 - 30.8	23.3 - 30.8	23.3 - 30.8
Centrifugal Force	High Amp	kN	139	139	258	258	280
	Low Amp	kN	121	121	242	242	249
Nominal Amplitude	High Amp	mm	1.94	1.71	1.92	1.82	1.87
	Low Amp	mm	1.41	1.25	1.5	1.42	1.38
<b>Propulsion</b>							
Type	Hydrostatic						
Tires		14.9-24 R3 6PR TT	14.9-24 R1 6PR TL	23.1-26 R3 8PR TT	23.1-26 R1 8PR TL	23.1-26 R3 8PR TT	23.1-26 R1 8PR TL
Drum Drive	LSHT Motor		Planetary Gear Box		Planetary Gear Box		
<b>Travel Speed</b>							
	High	km/h	0-12.3	0-12.9	0-10.1	0-10.0	0-9.9
	Low	km/h	0-6.5	0-7.5	0-4.4	0-4.3	0-4.2
<b>Engine</b>							
Make / Model	Volvo D3.8 Stage IV			Volvo D4 Stage IV			
Engine Type	Turbocharged 4 cylinder			Turbocharged 4-cylinder			
Rated Power @ 2200 rpm	kW	55.4			110		
<b>Electrical System</b>							
Voltage (Negative ground)	Volt	12			24		
Alternator	Ah	100			120		
Batteries	CCA	1 x 1 125			2 x 1 125		
<b>Brakes</b>							
Service	Hydrostatic						
Parking / Secondary	Spring-applied, hydraulically released on drum and axle						
<b>Miscellaneous</b>							
Articulation Angle	°	+/- 38			+/- 35		
Oscillation Angle	°	+/- 12			+/- 12		
Fuel Capacity	L	115			130		
Hydraulic Oil Capacity	L	60			75		
Gradeability (theoretical)	%	67	62	74	62	66	46
<b>Sound Level</b>							
Operator's Ear, acc. to ISO 6396	LpA dB(A)	74 (Cab) - 85 (Canopy)			76 (Cab) - 88 (Canopy)		
External, acc. to ISO 6395 (Directive 2000/14/EC)	LwA dB(A)	104			105		



## DIMENSIONS

	Unit	SD75B		SD115B and SD135B	
		Smooth drum	Padfoot drum	Smooth drum	Padfoot drum
A	mm	1 830	1 830	2 286	2 286
B	mm	1 676	1 676	2 134	2 134
C	mm	2 183	2 252	2 269	2 288
D	mm	383	452	483	498
E	mm	2 677	2 677	3 095	3 095
F	mm	5 044	5 044	6 091	6 091
G	mm	2 924	2 993	3 000	3 020
H	mm	609	681	755	774

# Equipment

## SELECTION OF VOLVO OPTIONAL EQUIPMENT

### Tires



### Padfoot drum



### Blade



### Work lights



### Intelligent compaction



### Traction system



Not all products are available in all markets. Under our policy of continuous improvement, we reserve the right to change specifications and design without prior notice. The illustrations do not necessarily show the standard version of the machine.

**VOLVO**

**Volvo Construction Equipment**

[www.volvoce.com](http://www.volvoce.com)